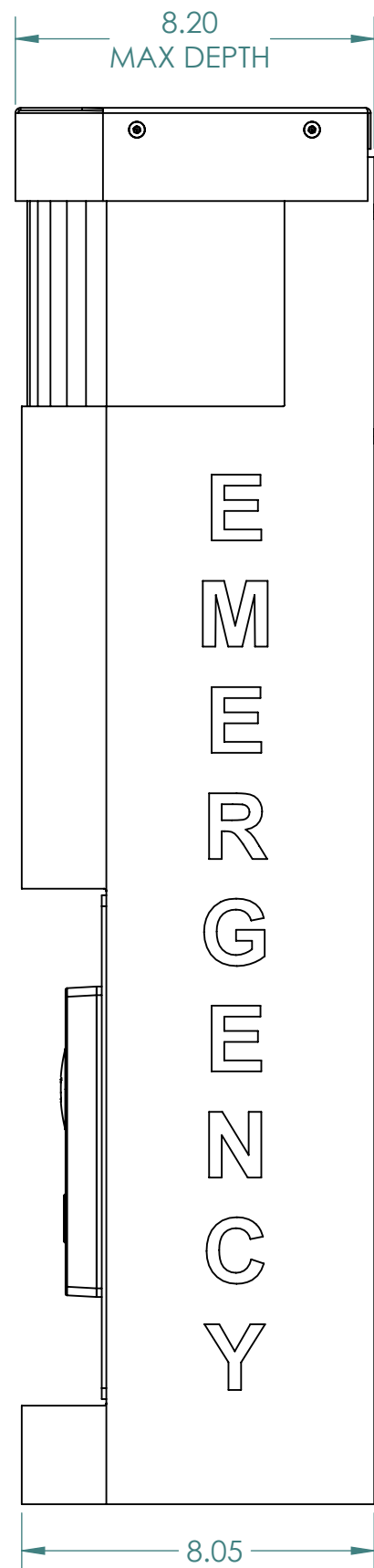
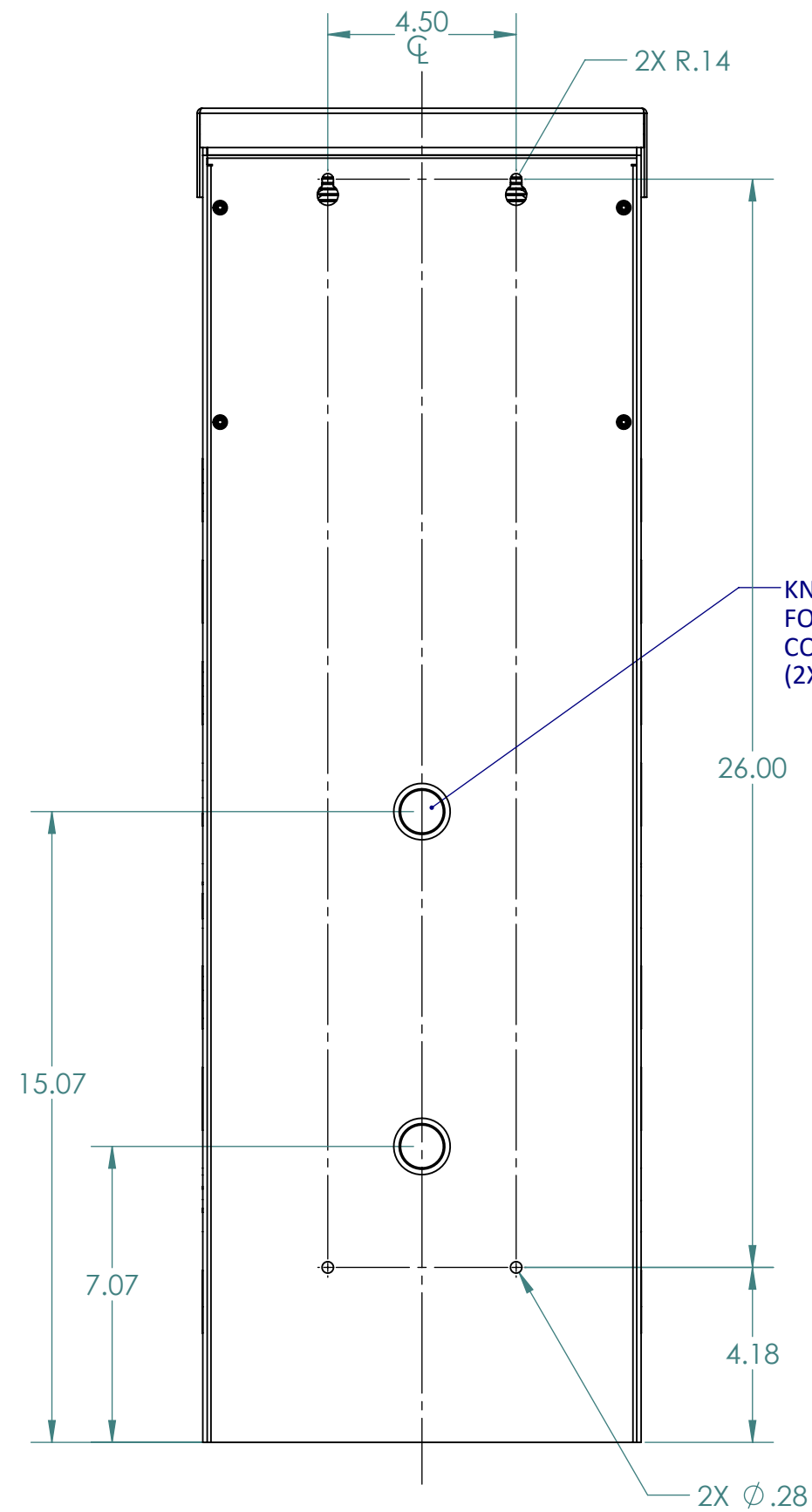


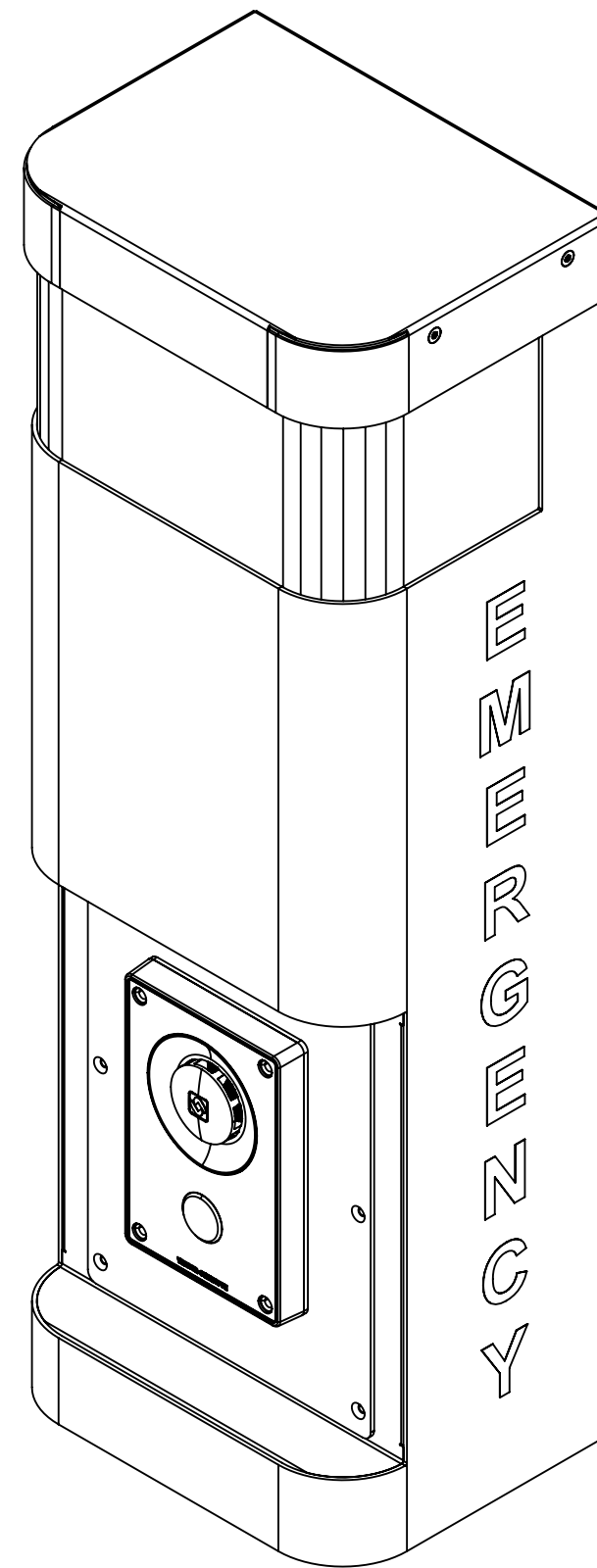
FRONT VIEW



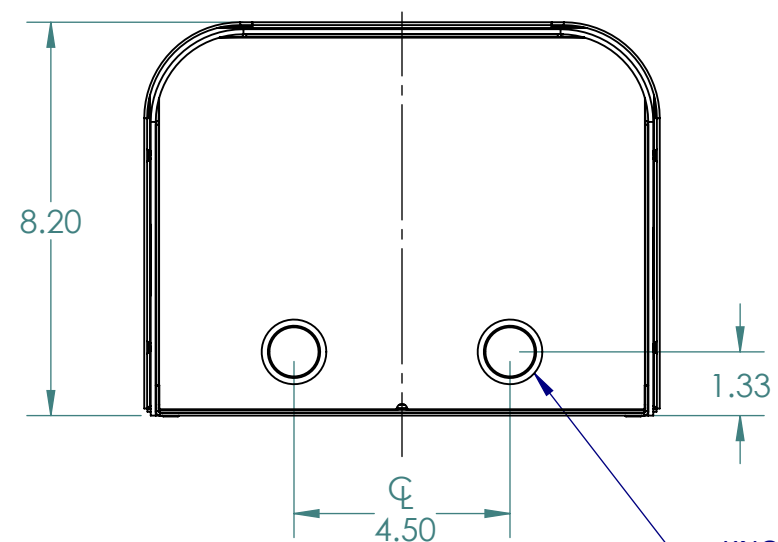
SIDE VIEW



REAR VIEW



ISOMETRIC VIEW



BOTTOM VIEW

KNOCKOUT FOR 1/2" & 3/4" CONDUIT (2X)

1.0	MARKETING RELEASE	09/05/2019	K PATEL		
REV.	DESCRIPTION	DATE	APPROVED		
REVISIONS					
	NAME	DATE			
DRAWN	K PATEL	09/05/2019			
CHECKED					
ENG APPR.					
MFG APPR.					
Q.A.					
COMMENTS:					
FINISH PROPRIETARY AND CONFIDENTIAL THE INFORMATION CONTAINED IN THIS DRAWING IS THE SOLE PROPERTY OF THE ZENITEL GROUP. ANY REPRODUCTION IN PART OR AS A WHOLE WITHOUT THE WRITTEN PERMISSION OF THE ZENITEL GROUP IS PROHIBITED.		REVISIONS 			
		DWG. NO.		REV	
		SIZE	PART NO. 2809016020	1.0	
		DWG. TITLE:	1602 DELUXE WALL UNIT		
SCALE: 1:4		WEIGHT:	SHEET 1 OF 1		