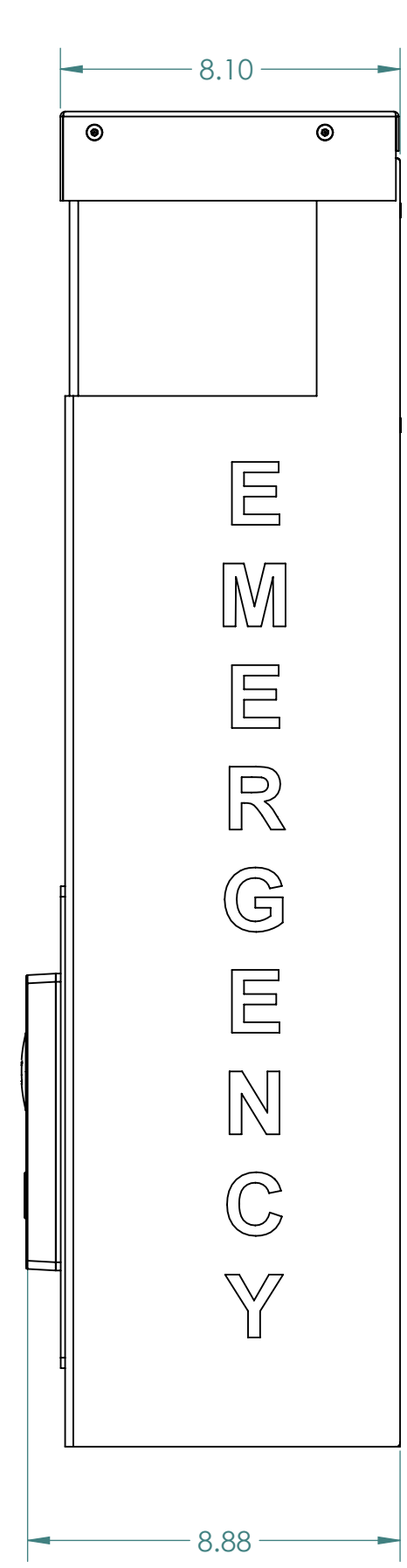
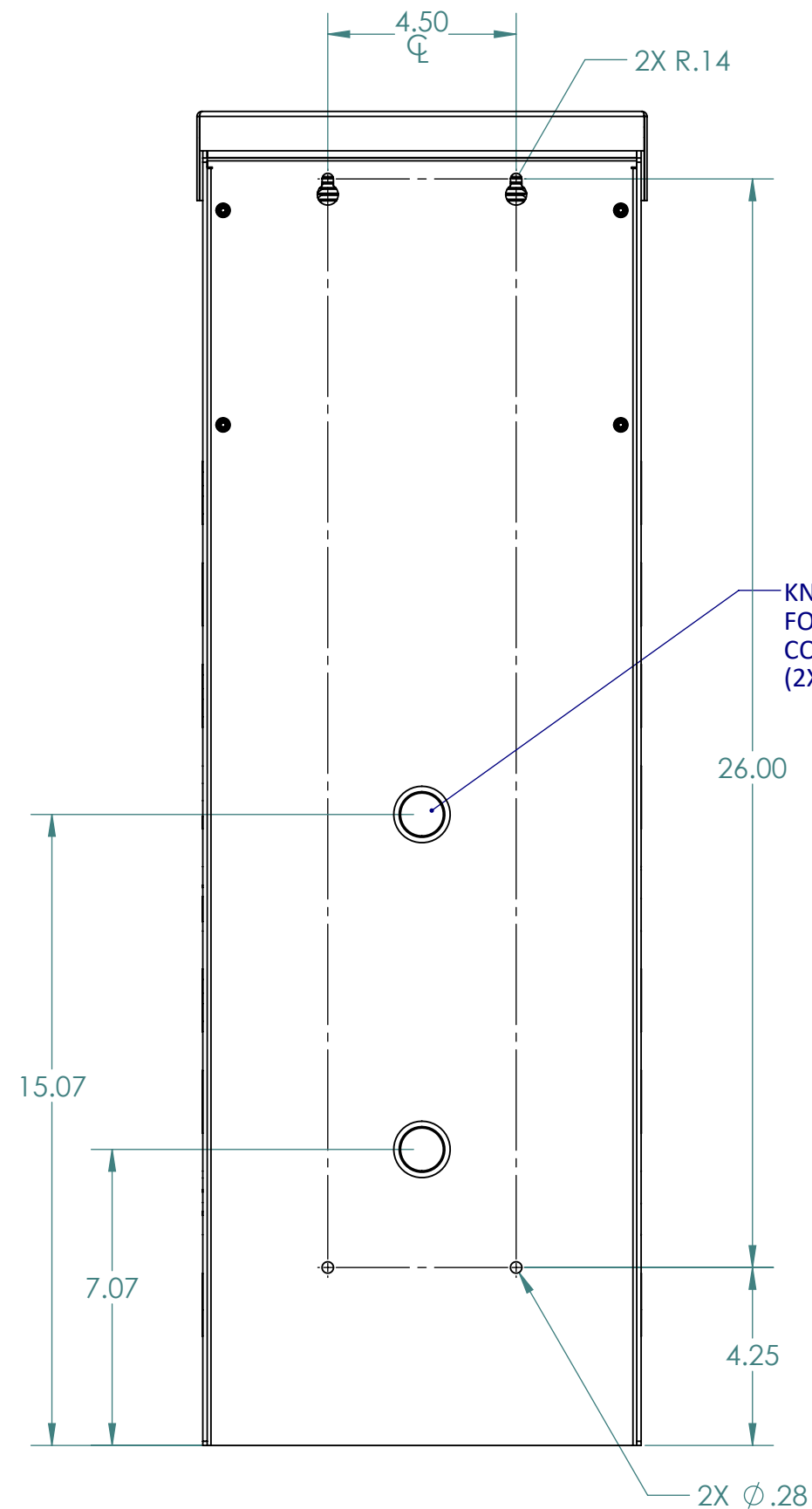


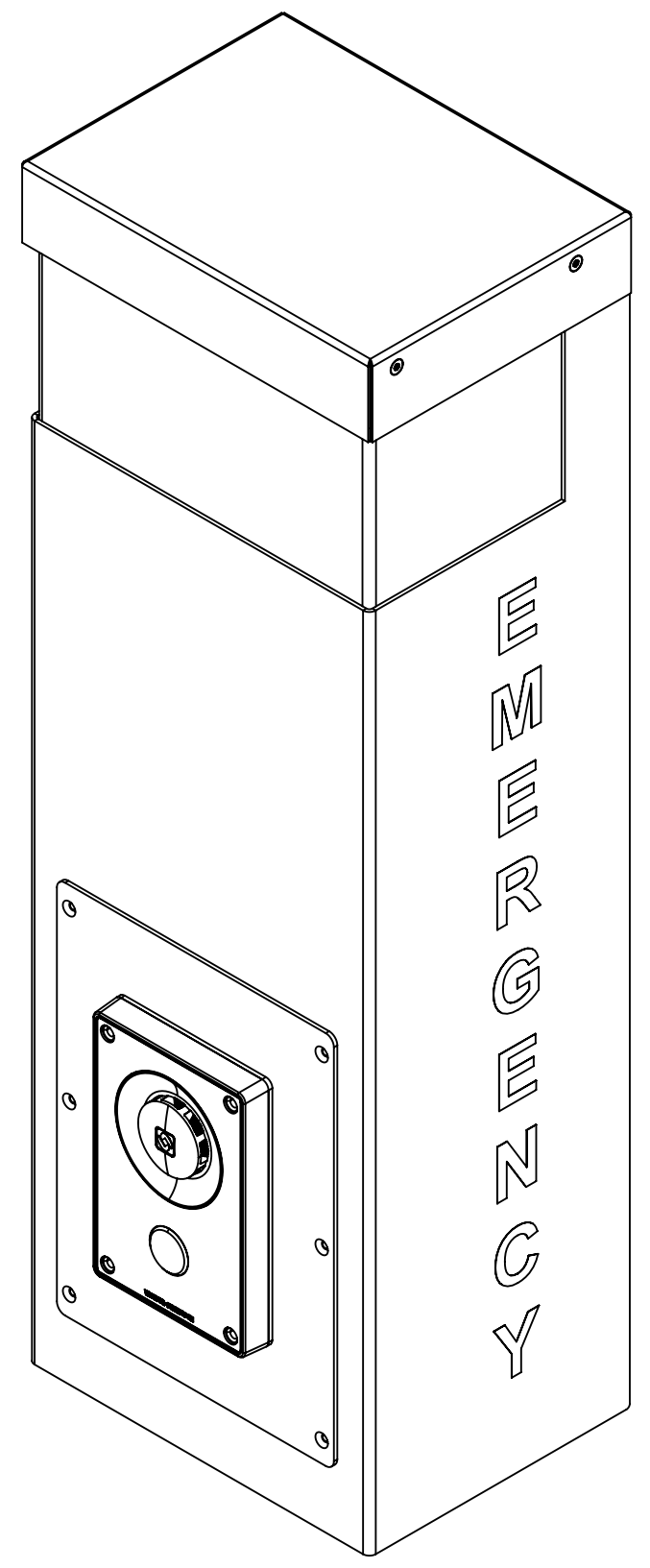
**FRONT VIEW**



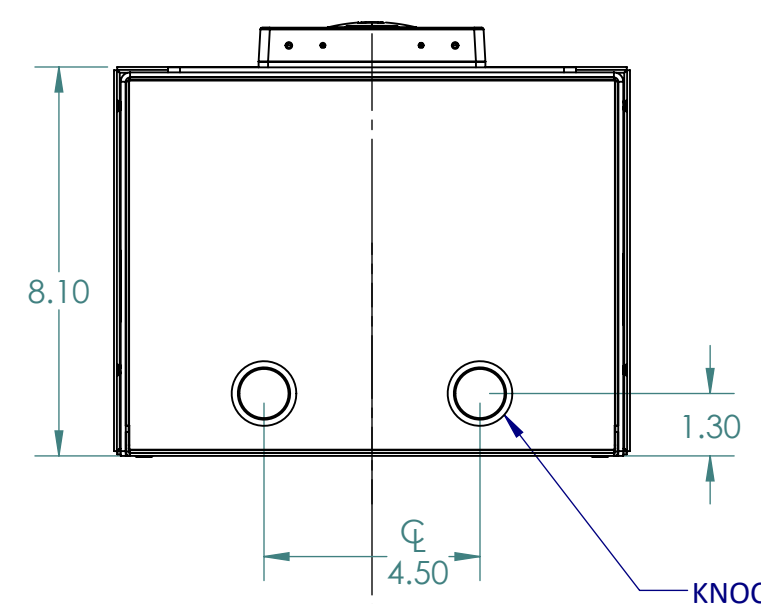
**SIDE VIEW**



**REAR VIEW**



**ISOMETRIC VIEW**



**BOTTOM VIEW**

KNOCKOUT FOR 1/2" & 3/4" CONDUIT (2X)

KNOCKOUT FOR 1/2" & 3/4" CONDUIT (2X)

FINISH  
 PROPRIETARY AND CONFIDENTIAL  
 THE INFORMATION CONTAINED IN THIS DRAWING IS THE SOLE PROPERTY OF THE ZENITEL GROUP. ANY REPRODUCTION IN PART OR AS A WHOLE WITHOUT THE WRITTEN PERMISSION OF THE ZENITEL GROUP IS PROHIBITED.

1.0	MARKETING RELEASE	09/05/2019	K PATEL
REV.	DESCRIPTION	DATE	APPROVED
REVISIONS			
	NAME	DATE	
DRAWN	K PATEL	09/05/2019	
CHECKED			
ENG APPR.			
MFG APPR.			
Q.A.			
COMMENTS:			
		DWG. NO.	
		SIZE	PART NO. 2809016030
		REV	1.0
		SCALE: 1:4	WEIGHT: