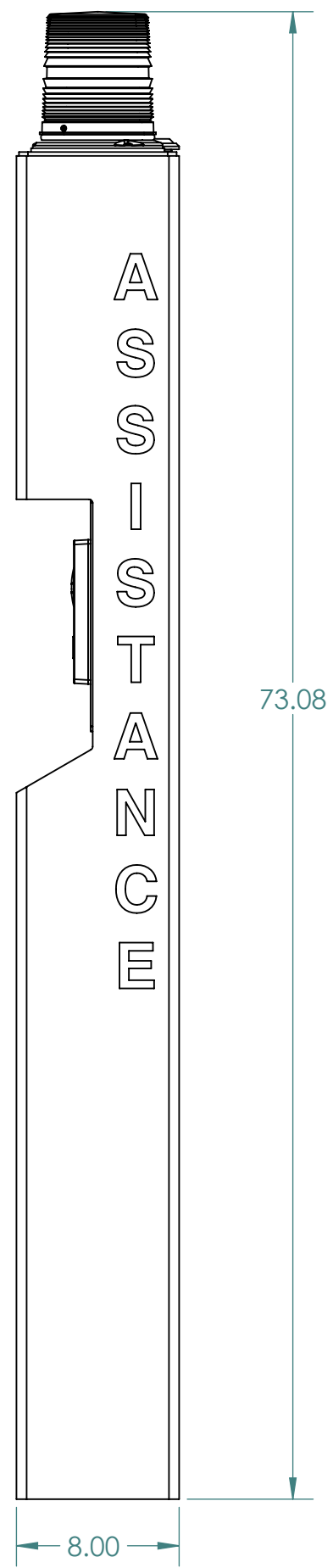
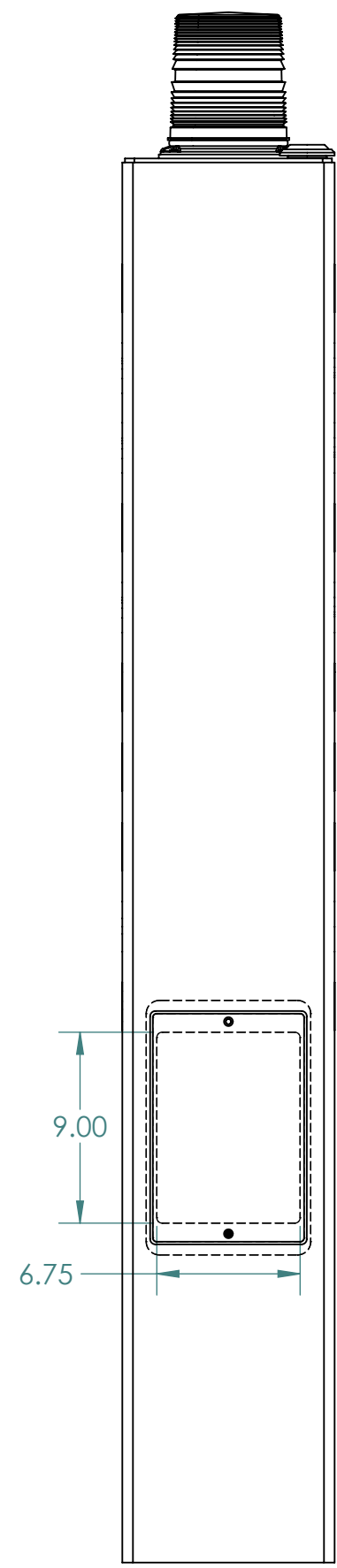


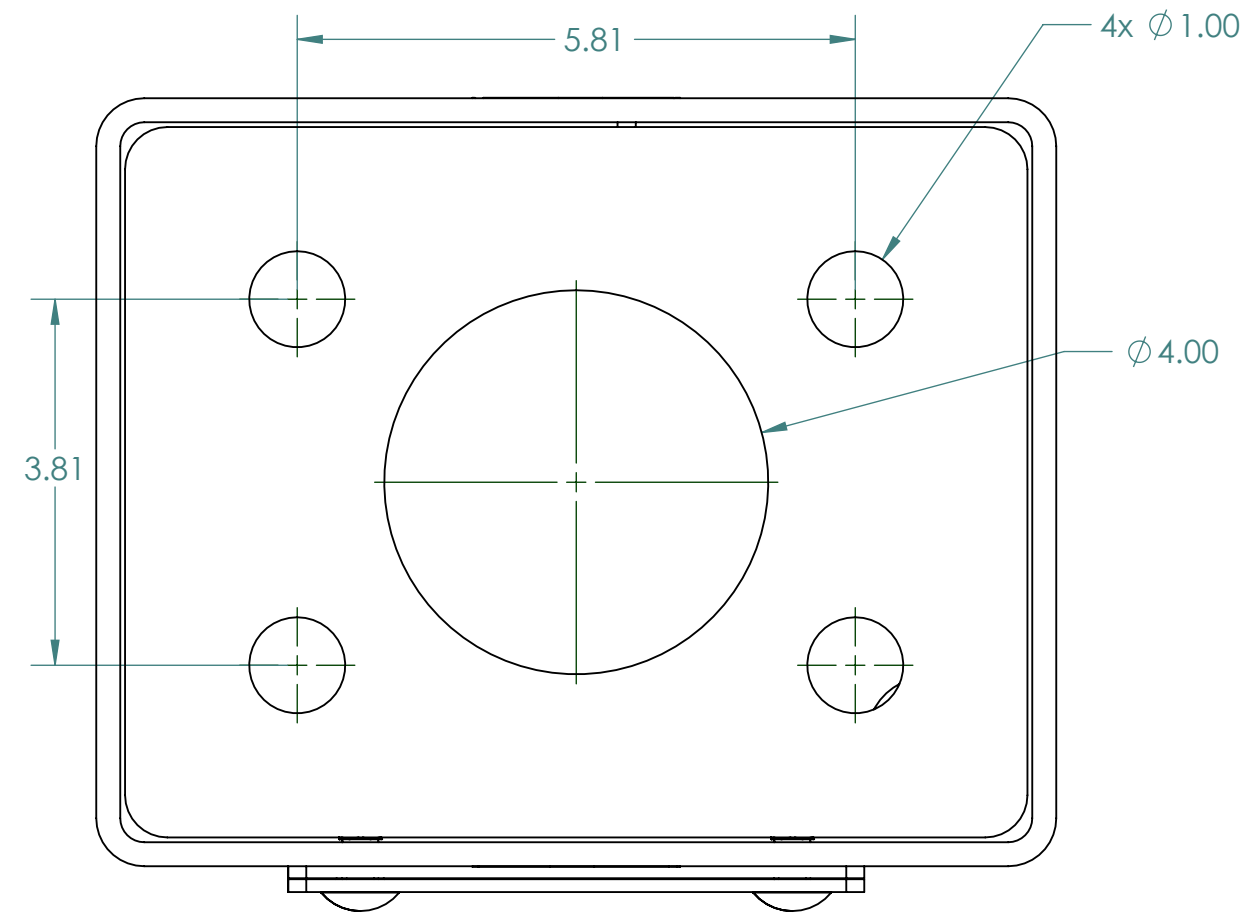
FRONT VIEW



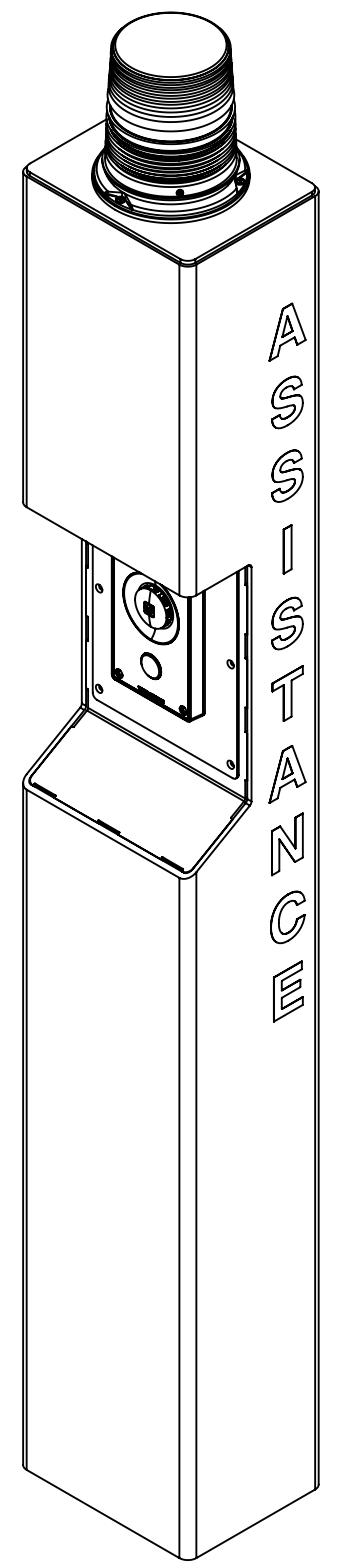
SIDE VIEW




REAR VIEW



FOOT PRINT



ISOMETRIC VIEW

1.0	MARKETING RELEASE	10/02/2019	K PATEL	
REV.	DESCRIPTION	DATE	APPROVED	
REVISIONS				
	NAME	DATE		
DRAWN	K PATEL	10/02/2019		
CHECKED				
ENG APPR.				
MFG APPR.				
Q.A.				
COMMENTS:				
PROPRIETARY AND CONFIDENTIAL THE INFORMATION CONTAINED IN THIS DRAWING IS THE SOLE PROPERTY OF THE ZENITEL GROUP. ANY REPRODUCTION IN PART OR AS A WHOLE WITHOUT THE WRITTEN PERMISSION OF THE ZENITEL GROUP IS PROHIBITED.		 by ZENITEL GROUP		
		DWG. NO.		
		SIZE	PART NO. 2809016040	REV
		C	DWG. TITLE: 1604 72" ECONO TOWER	1.0
SCALE: 1:12		WEIGHT:	SHEET 1 OF 1	