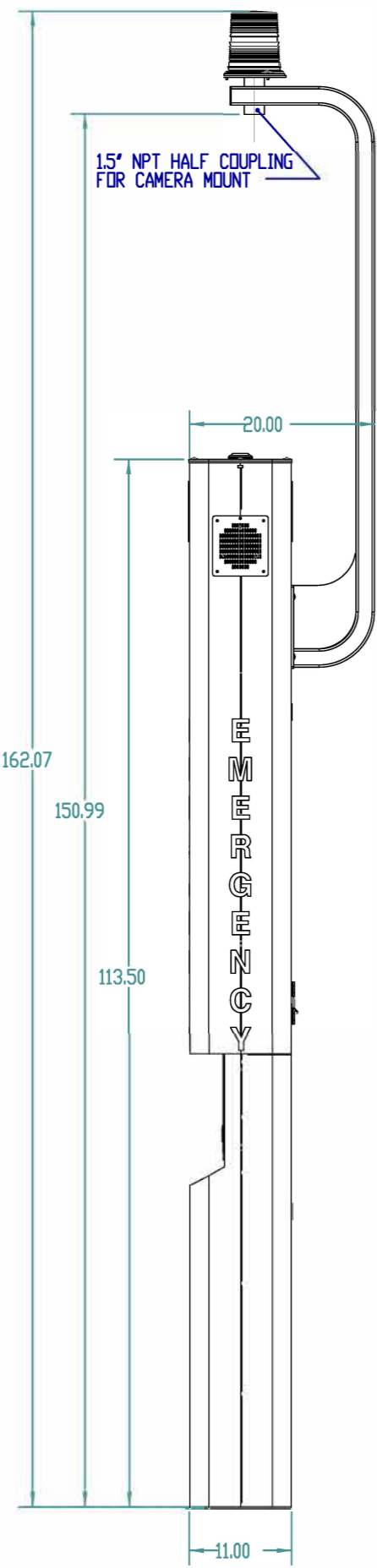
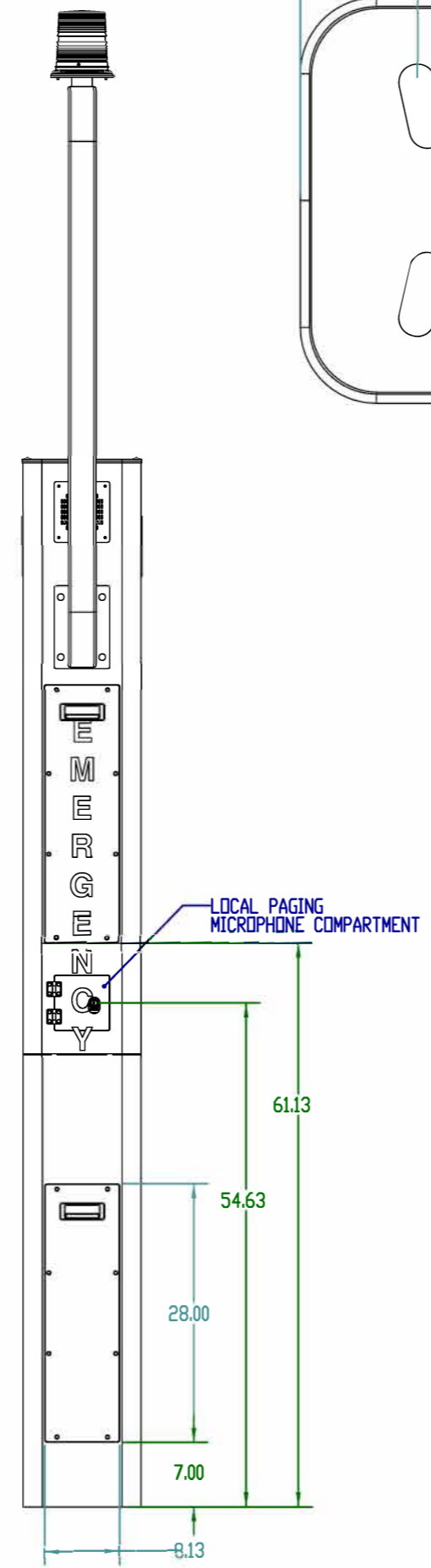


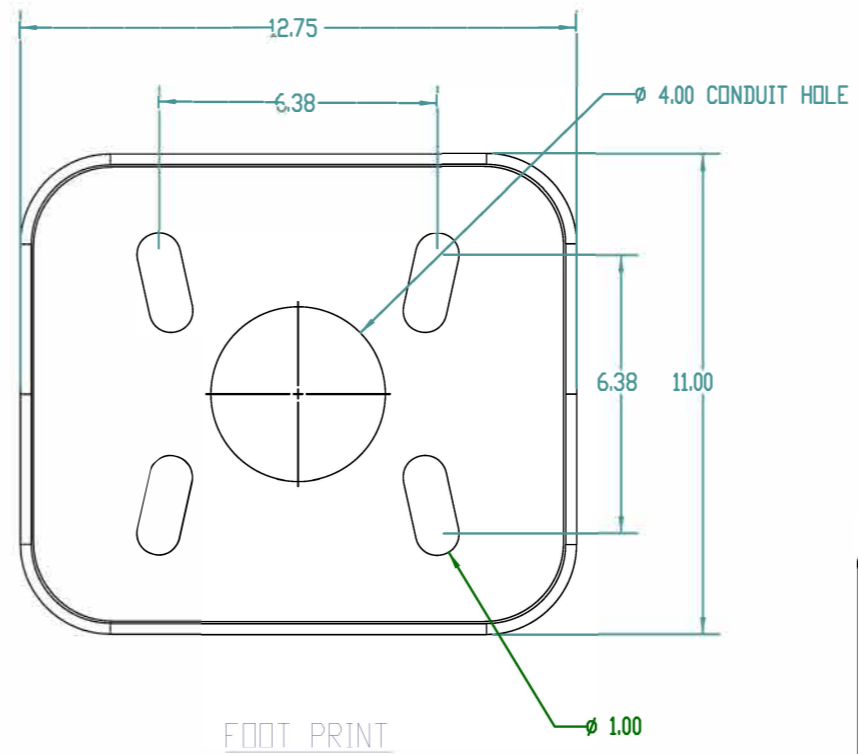
FRONT VIEW



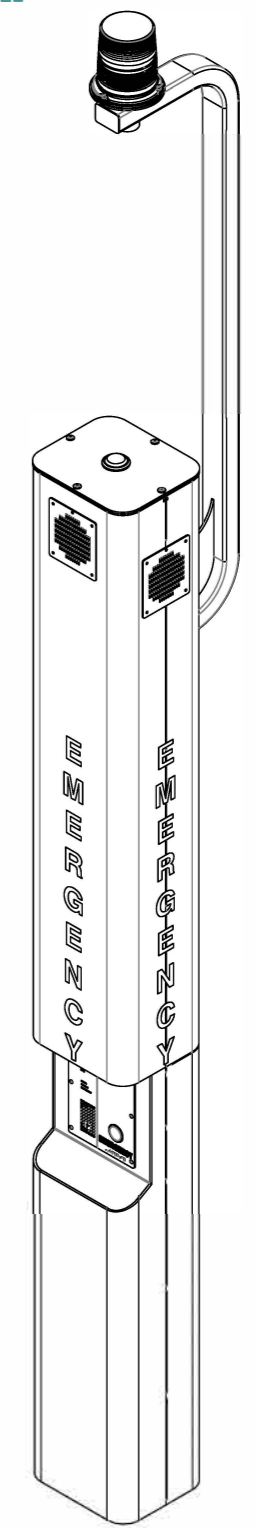
SIDE VIEW



REAR VIEW



FOOT PRINT



ISOMETRIC VIEW

SHOWN WITH VOIP-600 SERIES CALL STATION FOR ILLUSTRATION PURPOSES ONLY

1.5" NPT HALF COUPLING FOR CAMERA MOUNT

LOCAL PAGING MICROPHONE COMPARTMENT

ID	MARKETING RELEASE	12/13/2016	M DBAL
REV	DESCRIPTION	DATE	APPROVED
REVISIONS			
	NAME	DATE	
DRAWN	M DBAL	12/13/2016	
CHECKED	K PATEL	12/14/2016	
ENG APPR.			
MFG APPR.			
D.A.			
COMMENTS:		DWG. NO.	
PROPRIETARY AND CONFIDENTIAL. THE INFORMATION CONTAINED IN THIS DRAWING IS THE SOLE PROPERTY OF TALK-A-PHONE COMPANY. ANY REPRODUCTION IN PART OR AS A WHOLE WITHOUT THE WRITTEN PERMISSION OF TALK-A-PHONE COMPANY IS PROHIBITED.		SIZE: C PART NO.: WEBS-MT/R-OP4 DWG. TITLE: WEBS-MT/R SERIES SCALE: 1:12 WEIGHT: 454.10	REV: 1.0 SHEET 1 OF 2