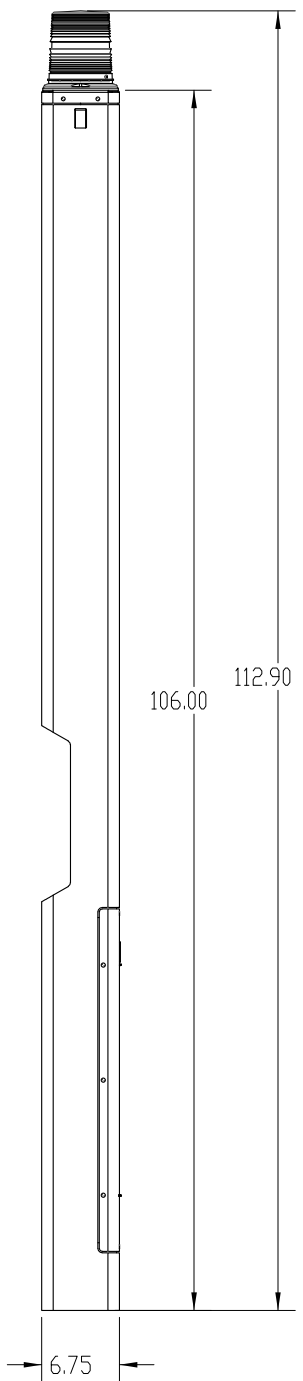
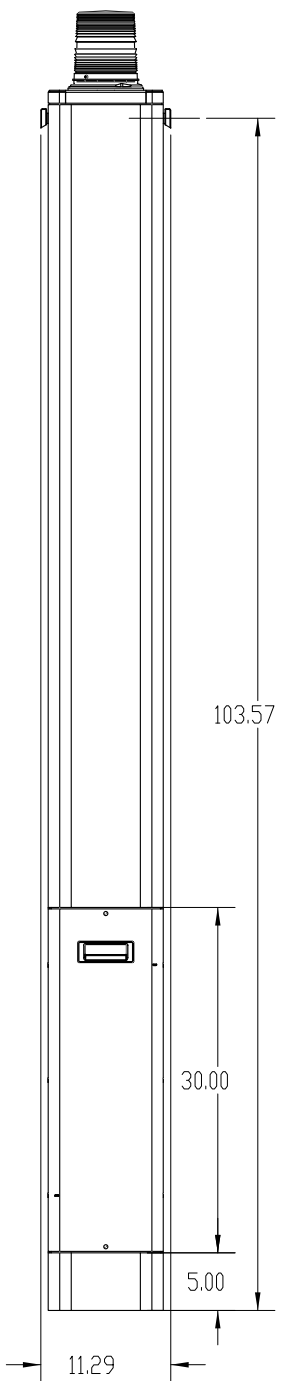


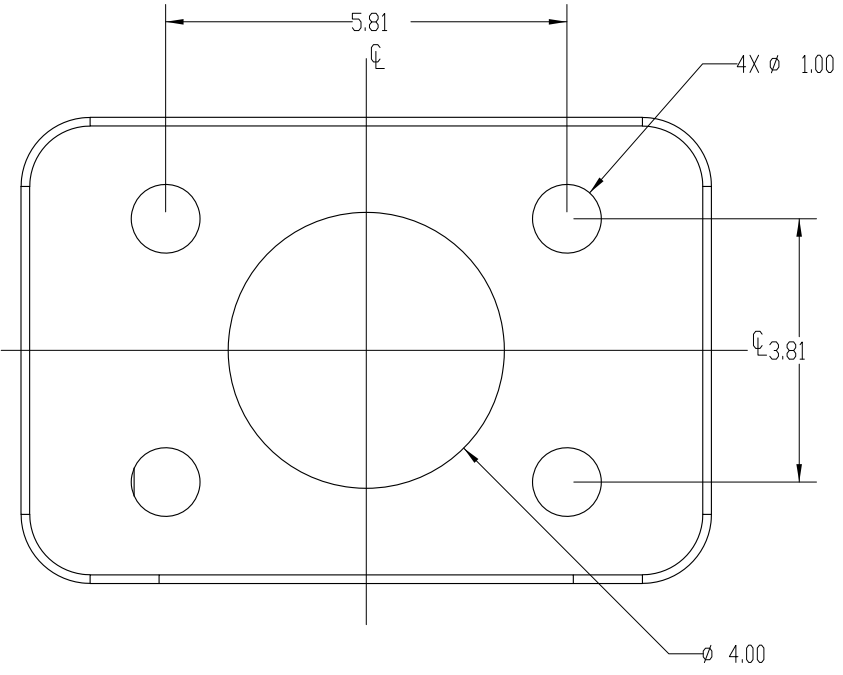
FRONT VIEW



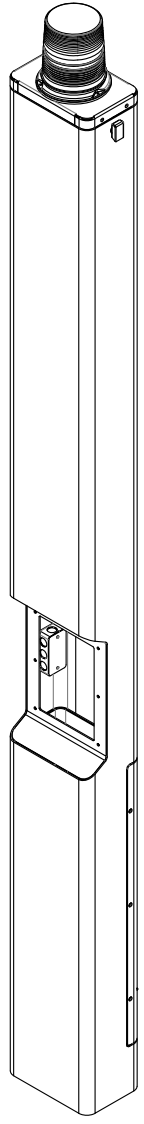
SIDE VIEW



REAR VIEW



FOOT PRINT



ISOMETRIC VIEW

REV.	DESCRIPTION	DATE	APPROVED
2.0	ADDED AERATORS	1/7/2014	K PATEL
1.0	SALES RELEASE	9/28/2012	K PATEL
0.1	PRELIMINARY RELEASE	09/20/2012	K PATEL

REVISIONS		
NAME	DATE	
DRAWN K PATEL	09/20/2012	
CHECKED J KARDIL	09/20/2012	
ENG APPR. K PATEL	09/20/2012	

FINISH
 PROPRIETARY AND CONFIDENTIAL
 THE INFORMATION CONTAINED IN THIS
 DRAWING IS THE SOLE PROPERTY OF
 TALK-A-PHONE COMPANY. ANY
 REPRODUCTION IN PART OR AS A WHOLE
 WITHOUT THE WRITTEN PERMISSION OF
 TALK-A-PHONE COMPANY IS PROHIBITED.

Q.A.			DWG. NO.
COMMENTS:			
SIZE C	PART NO. ETP-MTE	REV 2.0	
SCALE: 1:16	WEIGHT:		SHEET 1 OF 1

VINGTOR STENTOFON
 Item: 2809016080