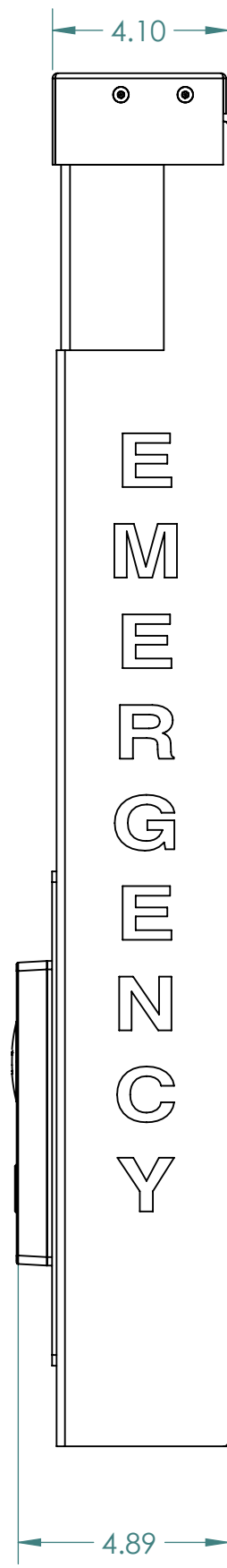
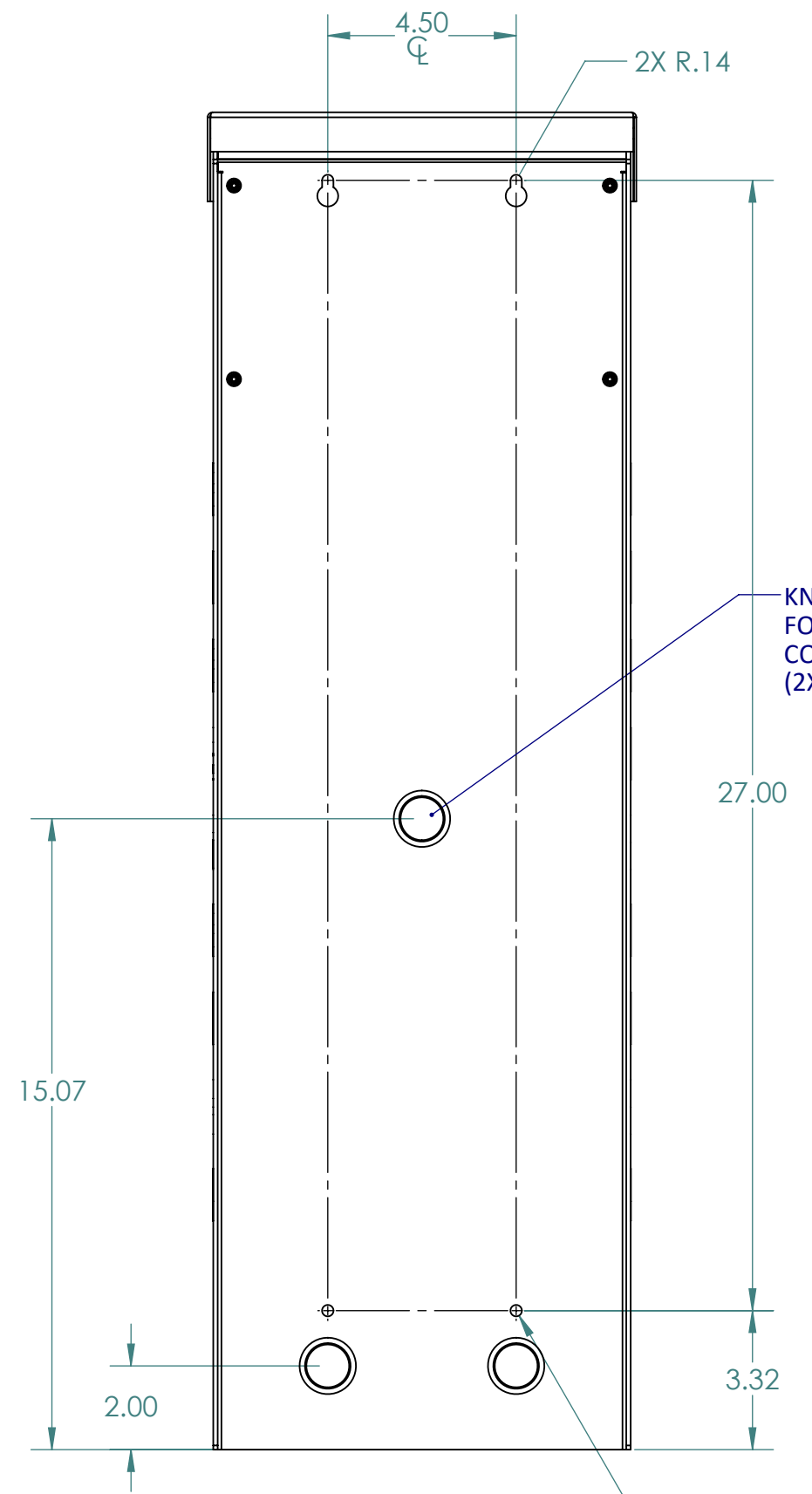


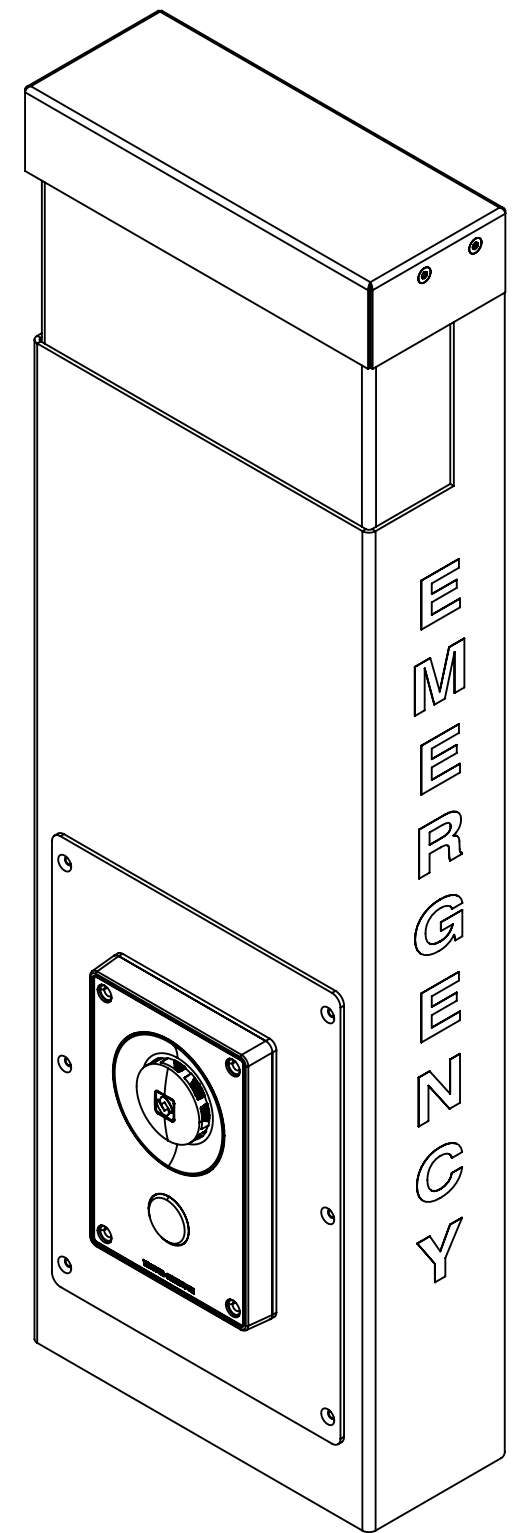
FRONT VIEW



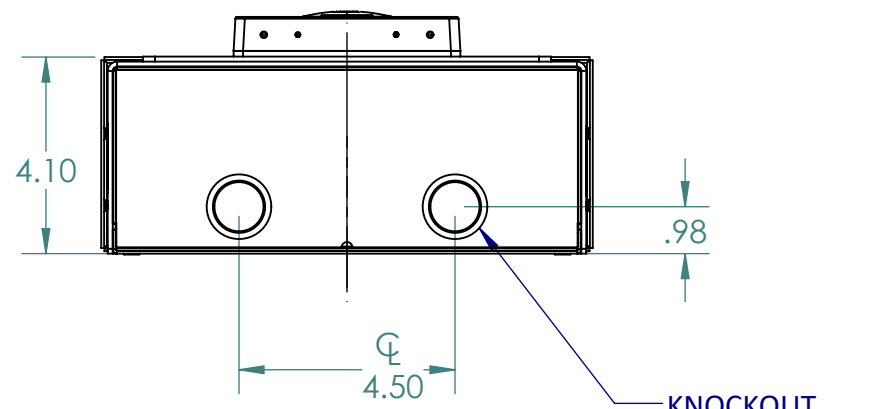
SIDE VIEW



REAR VIEW



ISOMETRIC VIEW



BOTTOM VIEW

KNOCKOUT FOR 1/2" & 3/4" CONDUIT (2X)

1.0	MARKETING RELEASE	09/05/2019	K PATEL
REV.	DESCRIPTION	DATE	APPROVED
REVISIONS			
	NAME	DATE	
DRAWN	K PATEL	09/05/2019	
CHECKED			
ENG APPR.			
MFG APPR.			
Q.A.			
COMMENTS:			
FINISH			
<small>PROPRIETARY AND CONFIDENTIAL THE INFORMATION CONTAINED IN THIS DRAWING IS THE SOLE PROPERTY OF THE ZENITEL GROUP. ANY REPRODUCTION IN PART OR AS A WHOLE WITHOUT THE WRITTEN PERMISSION OF THE ZENITEL GROUP IS PROHIBITED.</small>			
SIZE			
C			
PART NO. 2809016039		REV 1.0	
DWG. TITLE: 16039 ECONO WALL UNIT-SLIM			
SCALE: 1:4	WEIGHT:	SHEET 1 OF 1	



PROPRIETARY AND CONFIDENTIAL
THE INFORMATION CONTAINED IN THIS DRAWING IS THE SOLE PROPERTY OF THE ZENITEL GROUP. ANY REPRODUCTION IN PART OR AS A WHOLE WITHOUT THE WRITTEN PERMISSION OF THE ZENITEL GROUP IS PROHIBITED.