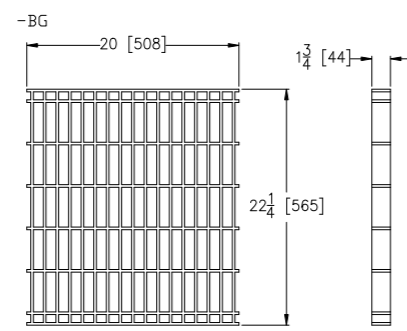


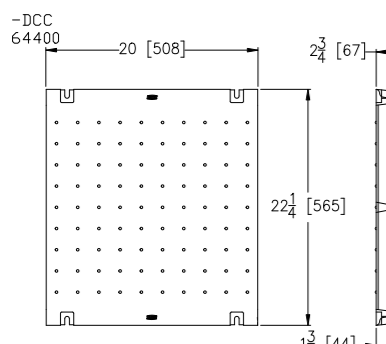
Plasster	Material - Fiberglass
CheckNo	DIN Rating - Class A
1	Weight 800 # per Ft
	Open Area 1938 sq in per Ft
	ANST Rating Light Duty
	Application Heavy Vehic Traffic
	Slot Width/Node Size 1/2"
	AAA
	H-20
	No
	No

FAA No



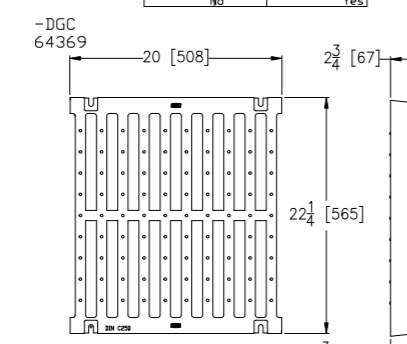
Plasster	Material - Galvanized Steel Bar
CheckNo	DIN Rating - Class C
2	Weight 3400 # per Ft
	Open Area 1938 sq in per Ft
	ANST Rating Heavy Duty
	Application Heavy Vehic Traffic
	Slot Width/Node Size 3/4"
	AAA
	H-20
	Yes
	Yes

FAA No



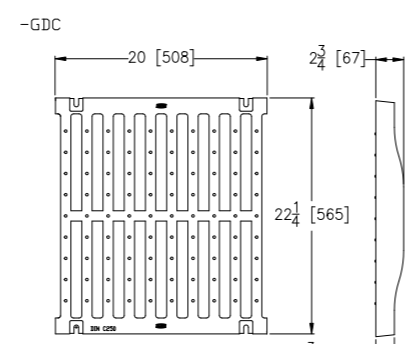
Plasster	Material - Ductile Iron
CheckNo	DIN Rating - Class C
3	Weight 800 # per Ft
	Open Area N/A
	ANST Rating Heavy Duty
	Application Heavy Vehic Traffic
	Slot Width/Node Size N/A
	AAA
	H-20
	Yes
	Yes

FAA No



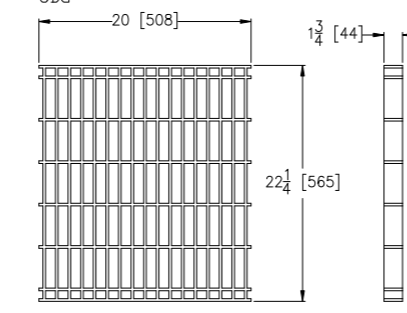
Plasster	Material - Galvanized Carbon Steel
CheckNo	DIN Rating - Class C
4	Weight 3400 # per Ft
	Open Area 1938 sq in per Ft
	ANST Rating Heavy Duty
	Application Truck Traffic & Pneumatic Tire
	Slot Width/Node Size 1/2"
	AAA
	H-20
	No
	Yes

FAA Yes



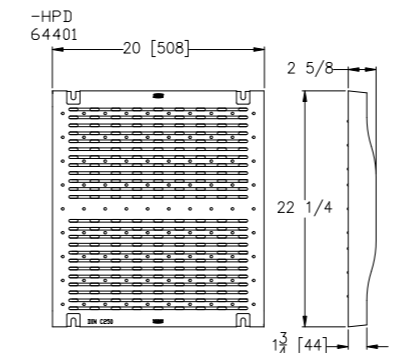
Plasster	Material - Galvanized Ductile Iron Slotted
CheckNo	DIN Rating - Class C
5	Weight 3400 # per Ft
	Open Area 1938 sq in per Ft
	ANST Rating Heavy Duty
	Application Truck Traffic & Pneumatic Tire
	Slot Width/Node Size 1/2"
	AAA
	H-20
	Yes
	Yes

FAA Yes



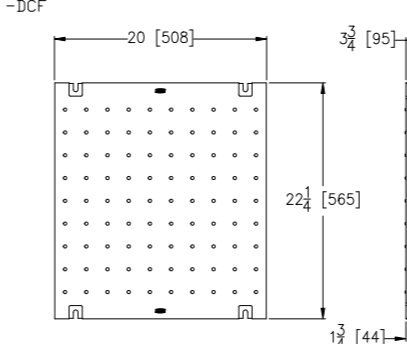
Plasster	Material - Stainless Steel
CheckNo	DIN Rating - Class C
7	Weight 3400 # per Ft
	Open Area 1938 sq in per Ft
	ANST Rating Heavy Duty
	Application Heavy Vehic Traffic
	Slot Width/Node Size 1/2"
	AAA
	H-20
	No
	Yes

FAA No



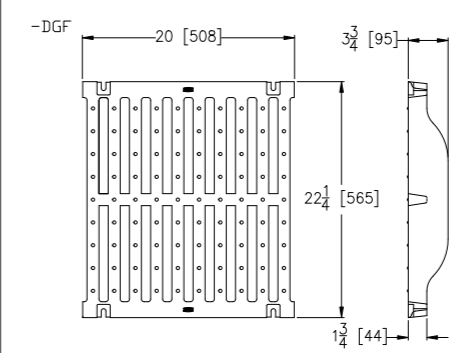
Plasster	Material - Ductile Iron
CheckNo	DIN Rating - Class E
6	Weight 3400 # per Ft
	Open Area 9400 sq in per Ft
	ANST Rating Heavy Duty
	Application Heavy Vehic Traffic & Pedestrian
	Slot Width/Node Size 2/4"
	AAA
	H-20
	Yes
	Yes

FAA No



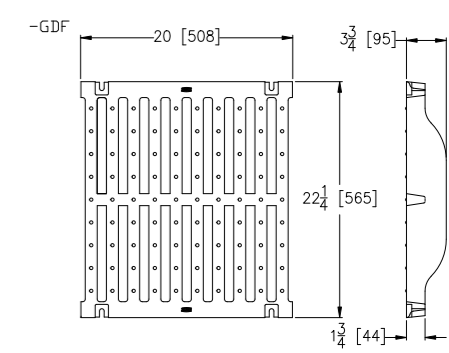
Plasster	Material - Ductile Iron
CheckNo	DIN Rating - Class F
8	Weight 800 # per Ft
	Open Area N/A
	ANST Rating Special Duty
	Application Airports, Extreme Loading
	Slot Width/Node Size 3/4"
	AAA
	H-20
	No
	Yes

FAA No



Plasster	Material - Ductile Iron
CheckNo	DIN Rating - Class F
9	Weight 7700 # per Ft
	Open Area 9400 sq in per Ft
	ANST Rating Special Duty
	Application Airports, Extreme Loading
	Slot Width/Node Size 3/4"
	AAA
	H-20
	Yes
	Yes

FAA No



Plasster	Material - Galvanized Ductile Iron Slotted
CheckNo	DIN Rating - Class F
10	Weight 7700 # per Ft
	Open Area 9400 sq in per Ft
	ANST Rating Special Duty
	Application Airports, Extreme Loading
	Slot Width/Node Size 3/4"
	AAA
	H-20
	Yes
	Yes

FAA No