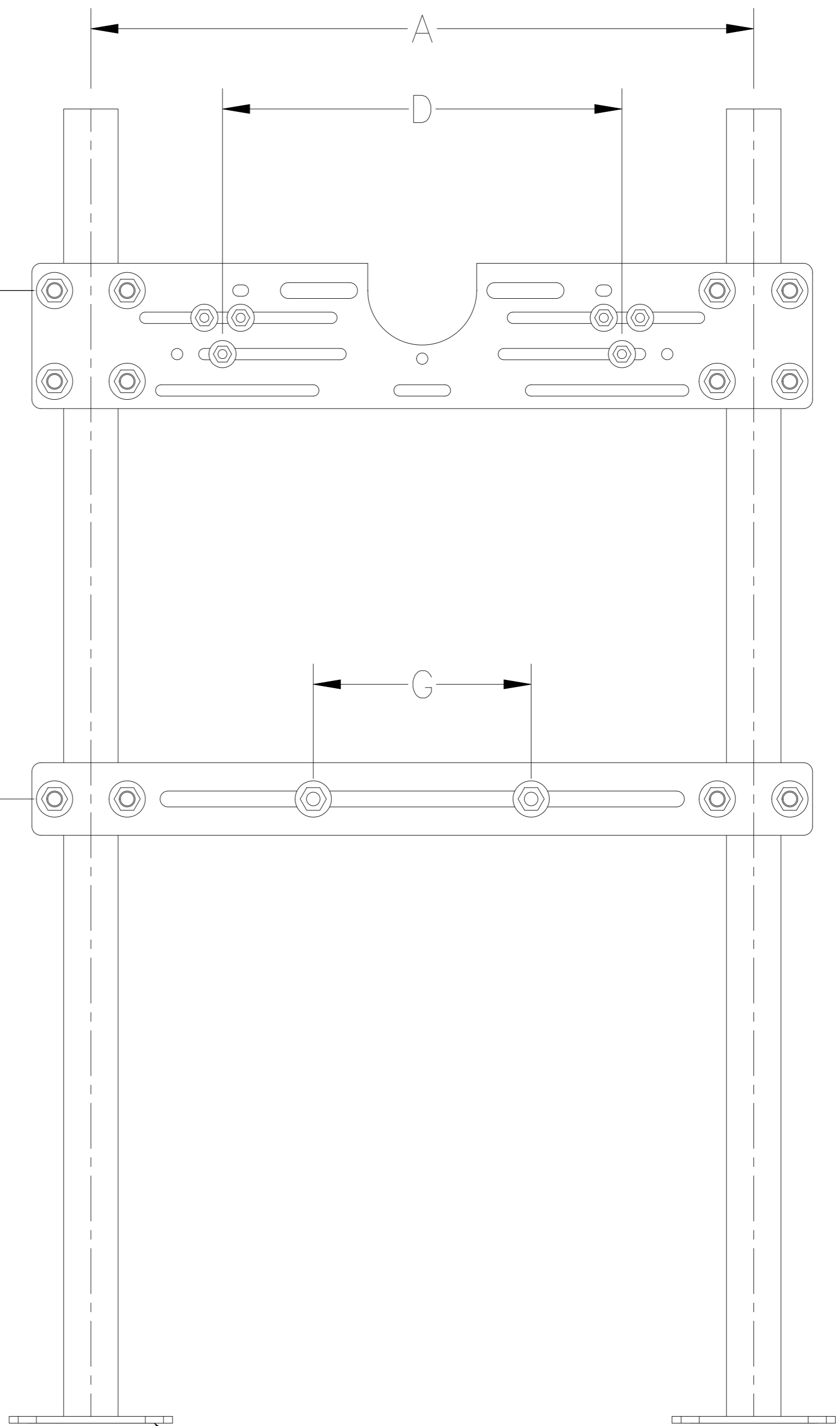
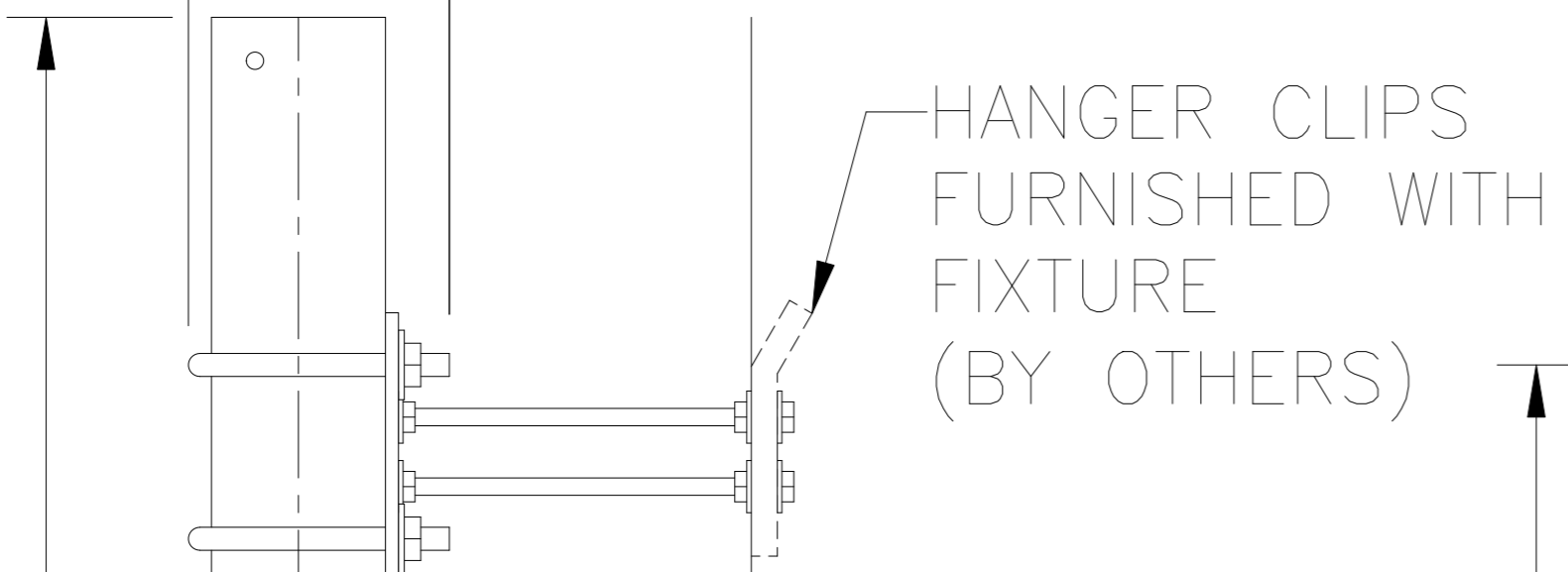


$3\frac{3}{4}$  [95]  $4\frac{5}{16}$  [110] MAX.\*\*



$1\frac{3}{4}$  [44]

$2\frac{1}{2}$  [64]

$3\frac{1}{2}$  [89]

$4\frac{1}{2}$  [114]

$\phi 1/2$  [13] ANCHORS RECOMMENDED  
(FURNISHED BY OTHERS)