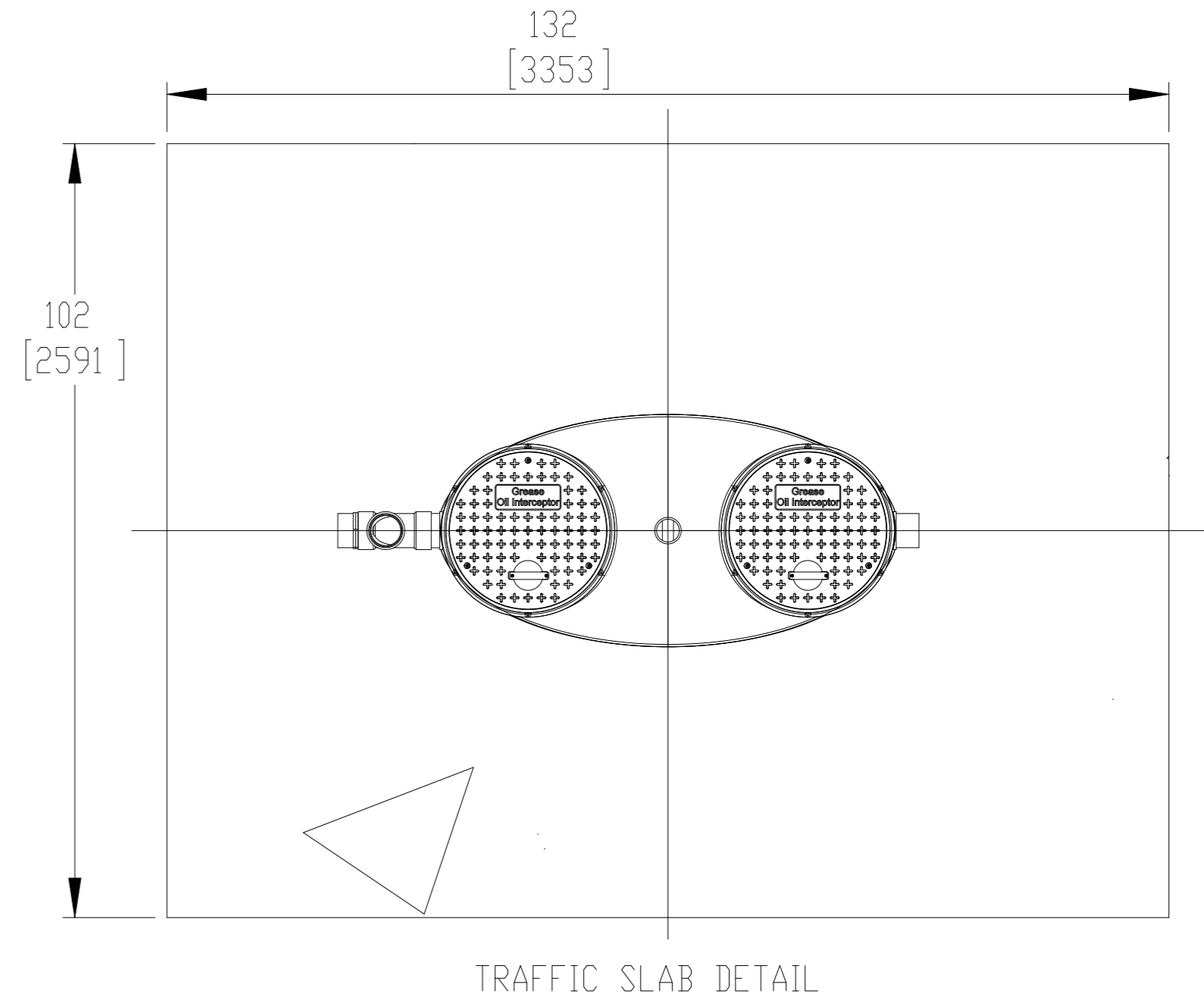
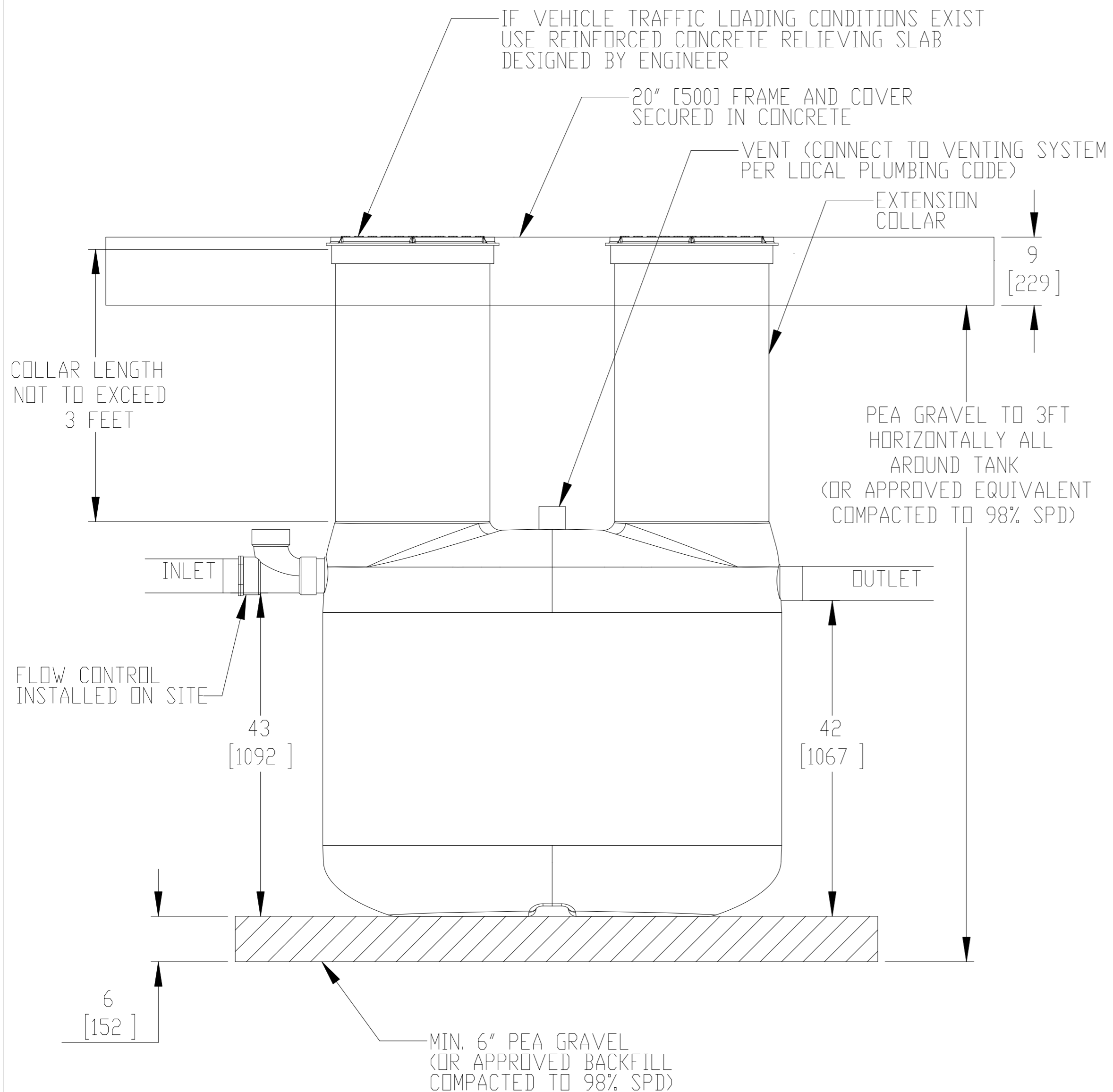


Z250H FOG-ceptor™ Interceptor Buried Installation

NOTES:

1. REFER TO INSTALLATION PROCEDURE AND INSTALLATION CHECKLIST.
2. ZURN INTERCEPTORS MUST BE INSTALLED IN ACCORDANCE WITH ALL RELEVANT FEDERAL, PROVINCIAL/STATE, AND LOCAL CODES INCLUDING LOCAL PLUMBING CODE.
3. FOR TRAFFIC AREA INSTALLATIONS WITH 3 FOOT BURIAL DEPTH, ANTI-BUOYANCY SLAB IS NOT REQUIRED. FOR INSTALLATIONS DEEPER THAN 3 FEET, PLEASE CONTACT YOUR LOCAL ZURN REPRESENTATIVE.



MODEL	DRY WEIGHT
Z250H	200 LBS [91 KG]

TITLE:	REV	DATE	DRAWN
Z250H FOG-ceptor™	1	JAN. 20, 2016	
250 250 US GALLONS	2	JAN. 25, 2016	
4" INLET & OUTLET	3		
20" ACCESSWAY	4		
ALL DIMENSIONS IN INCHES	5		
PROJECT: WD:	6		
NOTES	7		
	8		
	9		
	10		
DRAWN BY: S.M.			
DRAWN DATE: NOV. 06, 2015			



SIZE	DWG. NO.	REV.
A	Z250H BURIED INSTALL	2
SCALE: 1:20	DO NOT SCALE DRAWING	SHEET 1 OF 1