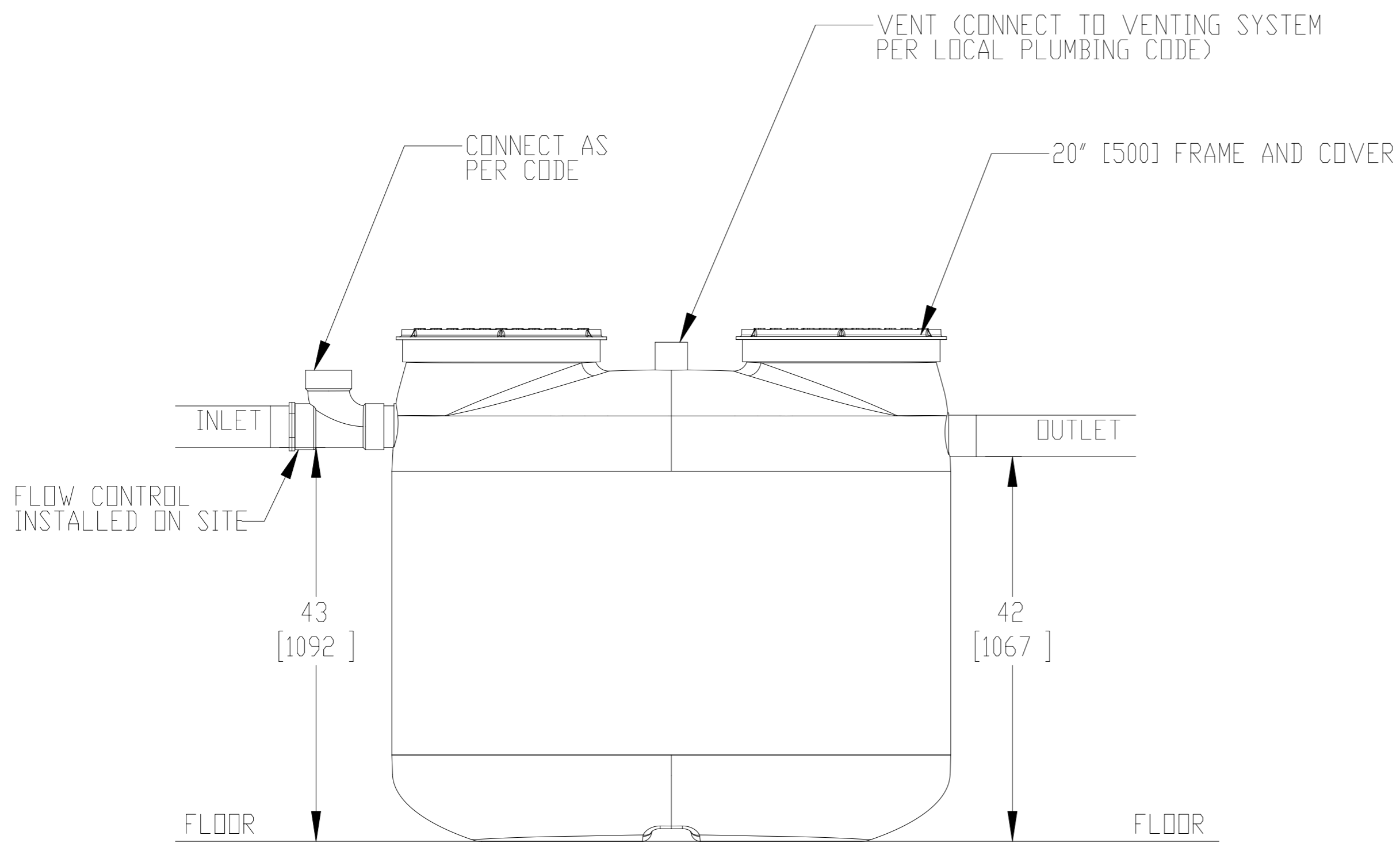


Z250H FOG-ceptor™ Interceptor Above Ground Installation

NOTES:

1. ENSURE FLOOR IS LEVEL, SMOOTH, AND IS ABLE TO SUPPORT THE WEIGHT OF THE TANK FULL OF WATER AT INSTALLATION LOCATION.
2. MOVE TANK INTO POSITION. CHECK FIT AND LOCATION OF INLET, OUTLET AND VENT PIPING WHERE APPLICABLE.
3. ENSURE MANWAY IS ACCESSIBLE FOR COVER REMOVAL AND PUMPOUT AS WELL AS ACCESS TO THE INTERIOR. ENSURE ALL OTHER PORTS ARE ACCESSIBLE FOR INSTALLATION AND MAINTENANCE. ALARM PROBES SHOULD HAVE SUFFICIENT HEADSPACE FOR REMOVAL TO CALIBRATE OR SERVICE.
4. ENSURE AREA AROUND TANK IS HEATED TO PREVENT FREEZING OF WATER IN TANK AND PIPES.
5. SEISMIC RESTRAINTS TO BE PROVIDED BY OTHERS IF REQUIRED BY LOCAL AUTHORITIES
6. INSTALL INLET, OUTLET AND VENT PIPES.
7. PRIOR TO COMMENCING OPERATIONS, FILL TANK WITH CLEAN WATER.
8. ZURN INTERCEPTORS MUST BE INSTALLED IN ACCORDANCE WITH ALL RELEVANT FEDERAL, PROVINCIAL/STATE, AND LOCAL CODES INCLUDING LOCAL PLUMBING CODE.



MODEL	DRY WEIGHT
Z250H	200 LBS [91 KG]
FRP COVER	35 LBS [16 KG] PER COVER

TITLE:	Z250H FOG-ceptor™	REV	DATE	DRAWN
	250 US GALLONS	1		
	4" INLET & OUTLET	2		
	20" ACCESSWAY	3		
	ALL DIMENSIONS IN INCHES	4		
PROJECT:	WD:	5		
		6		
NOTES		7		
		8		
		9		
		10		
		DRAWN BY: S.M.		
		DRAWN DATE: JAN. 27, 2016		



SIZE	DWG. NO.	REV.
A	Z250H ABOVE GROUND INSTALL	
SCALE: 1:20	DO NOT SCALE DRAWING	SHEET 1 OF 1