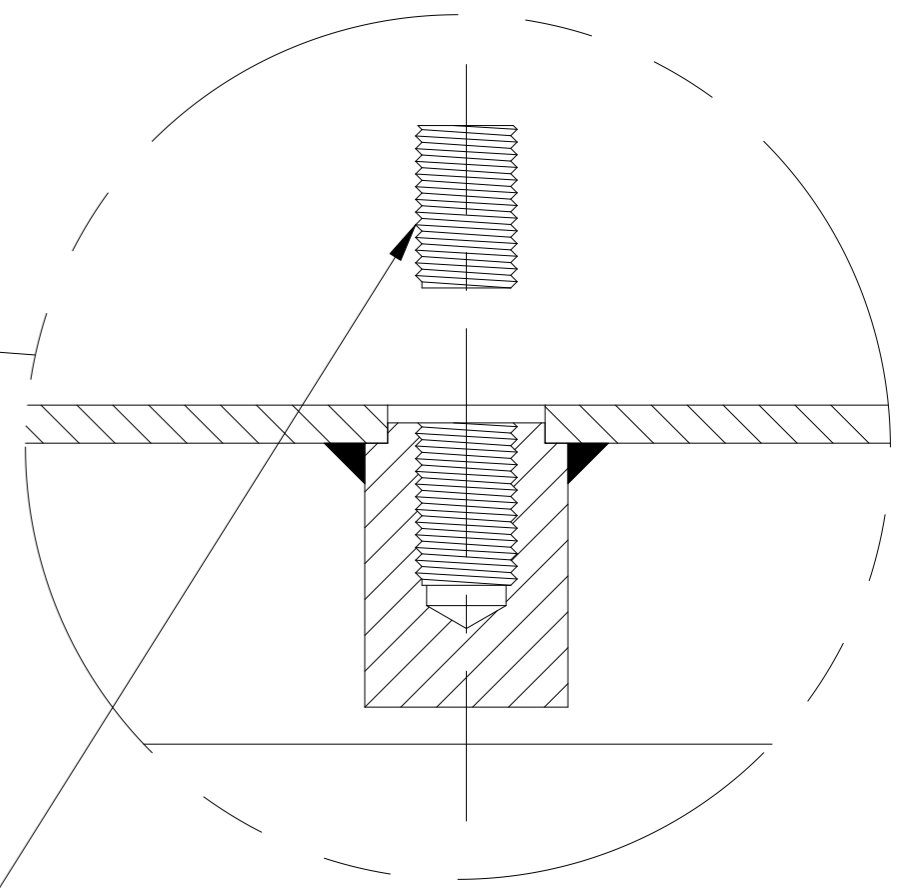


INLET

G=WIDTH OF BODY

OUTLET



HEX HEAD SET SCREW—
 REMOVE SCREWS TO USE
 LIFT HANDLES, REPLACE
 SCREWS ONCE COVER IS
 IN PLACE AND HANDLES
 ARE REMOVED.