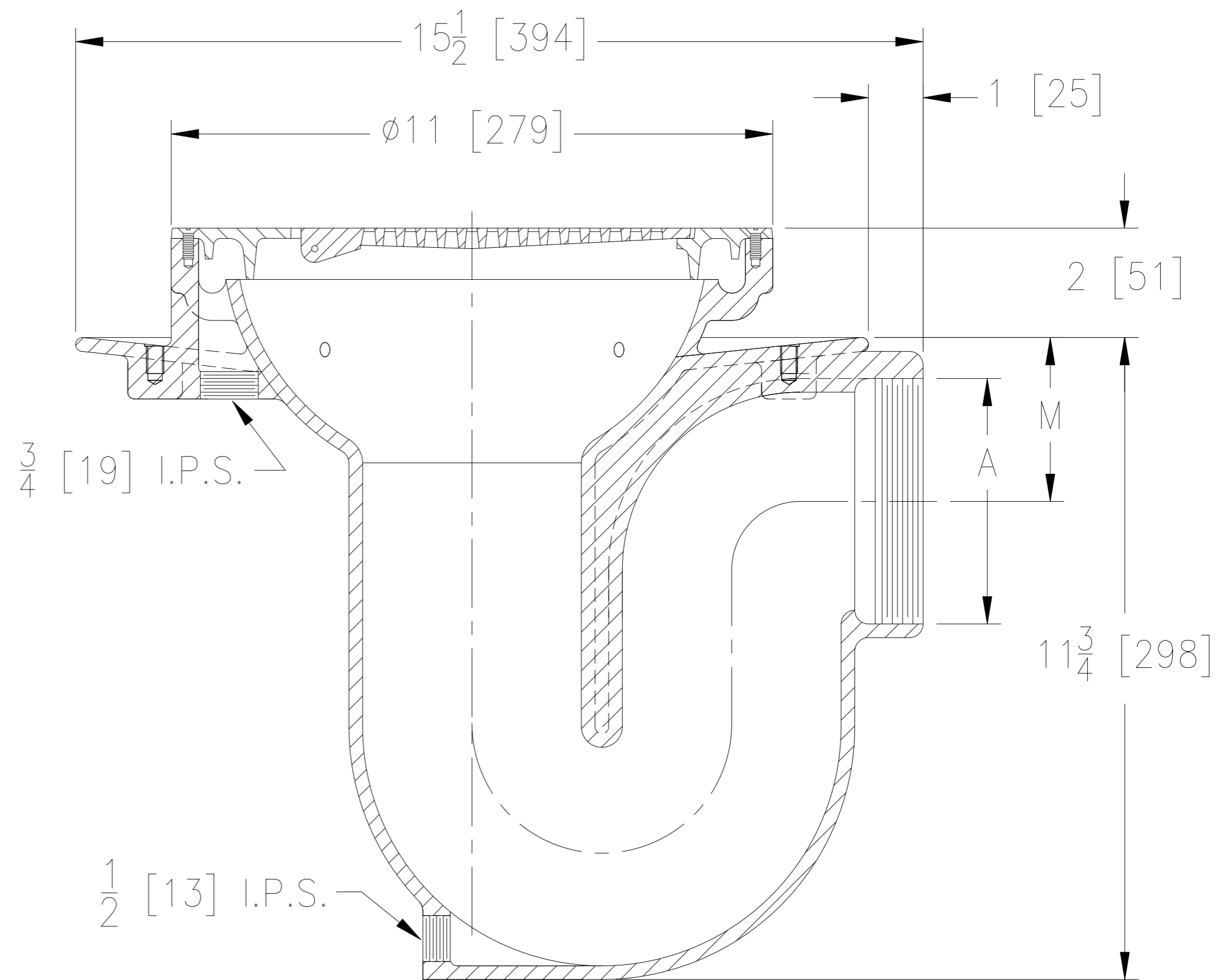


2 [51] & 3 [76]
PIPE SIZES



4 [102]
PIPE SIZE