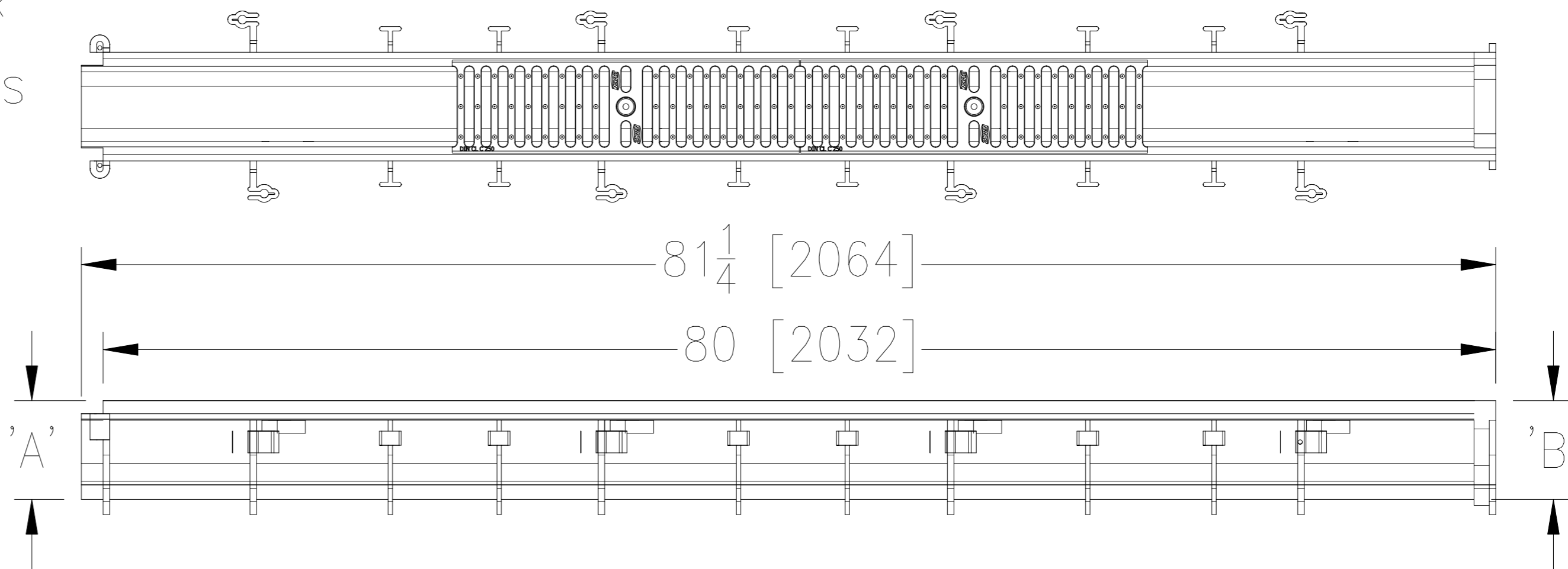
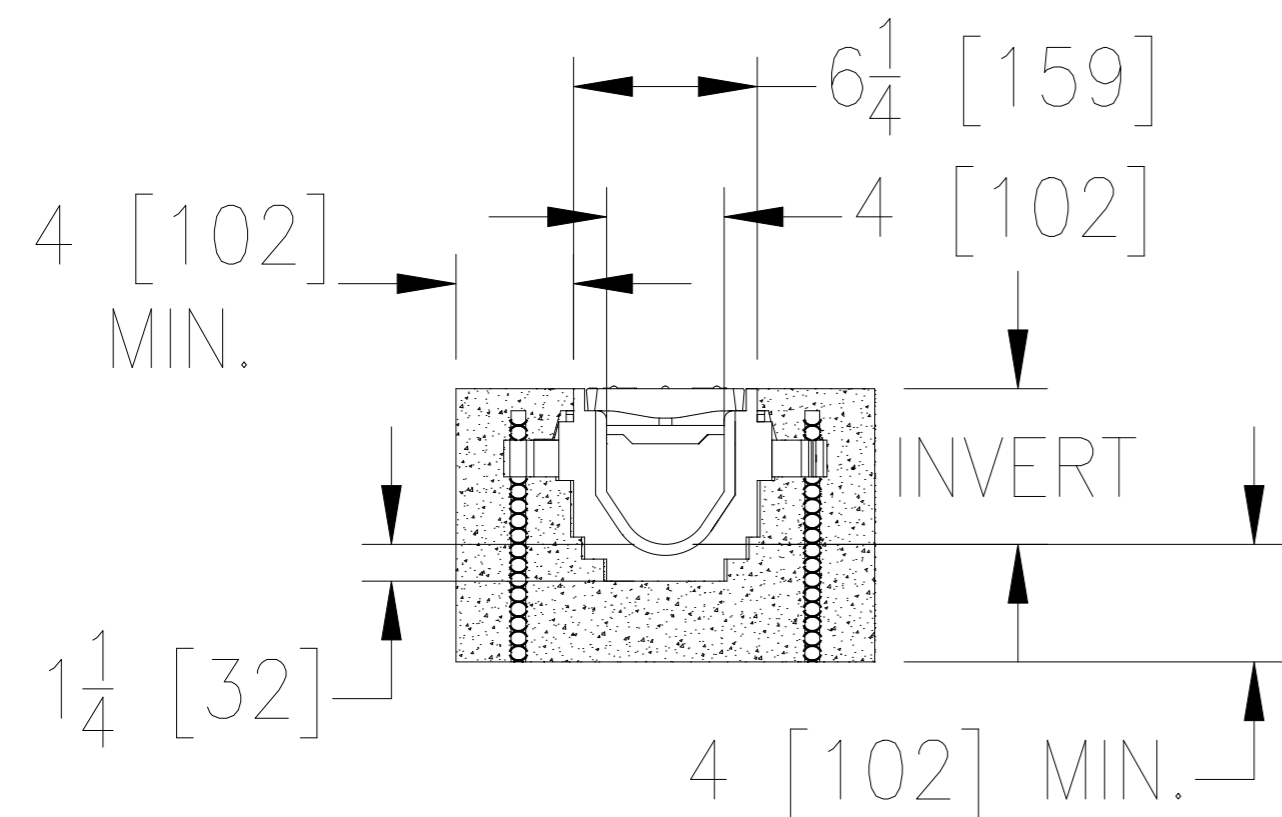


SPECIFYING ENGINEER IS RESPONSIBLE FOR
 CONCRETE ENCASEMENT AND REINFORCING
 BASED UPON APPLICATION AND LOCAL CODES



NOTE: + Actual Channel length is $81\frac{1}{4}$ [2064] to allow for overlap.