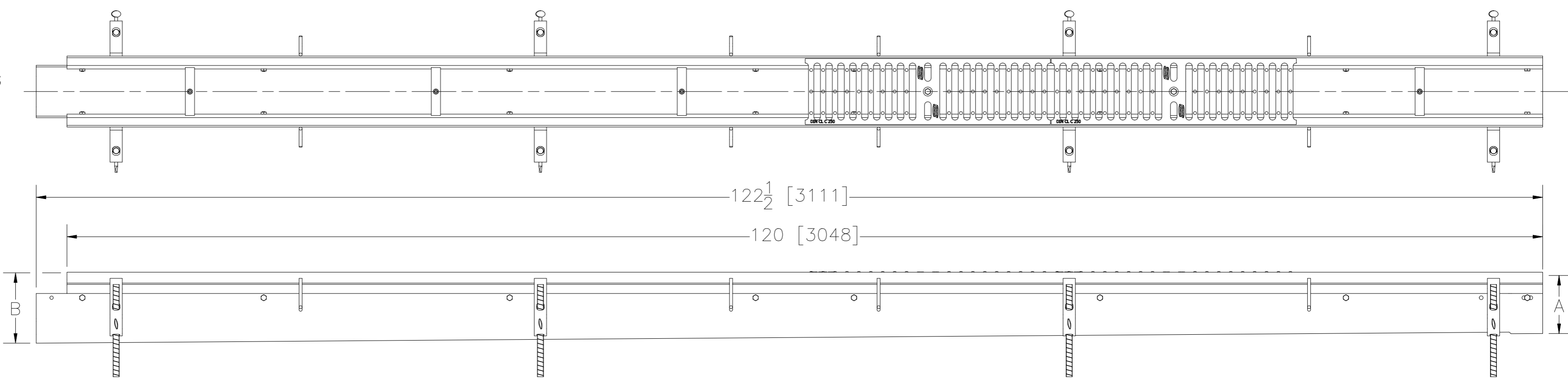
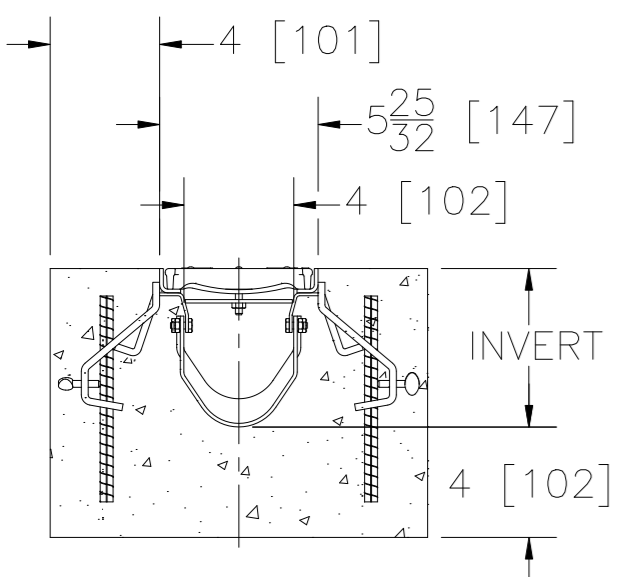


SPECIFYING ENGINEER IS RESPONSIBLE FOR CONCRETE ENCASEMENT AND REINFORCING BASED UPON APPLICATION AND LOCAL CODES.



NOTE: +Actual Channel length is 122 1/2 [3112] to allow overlap.