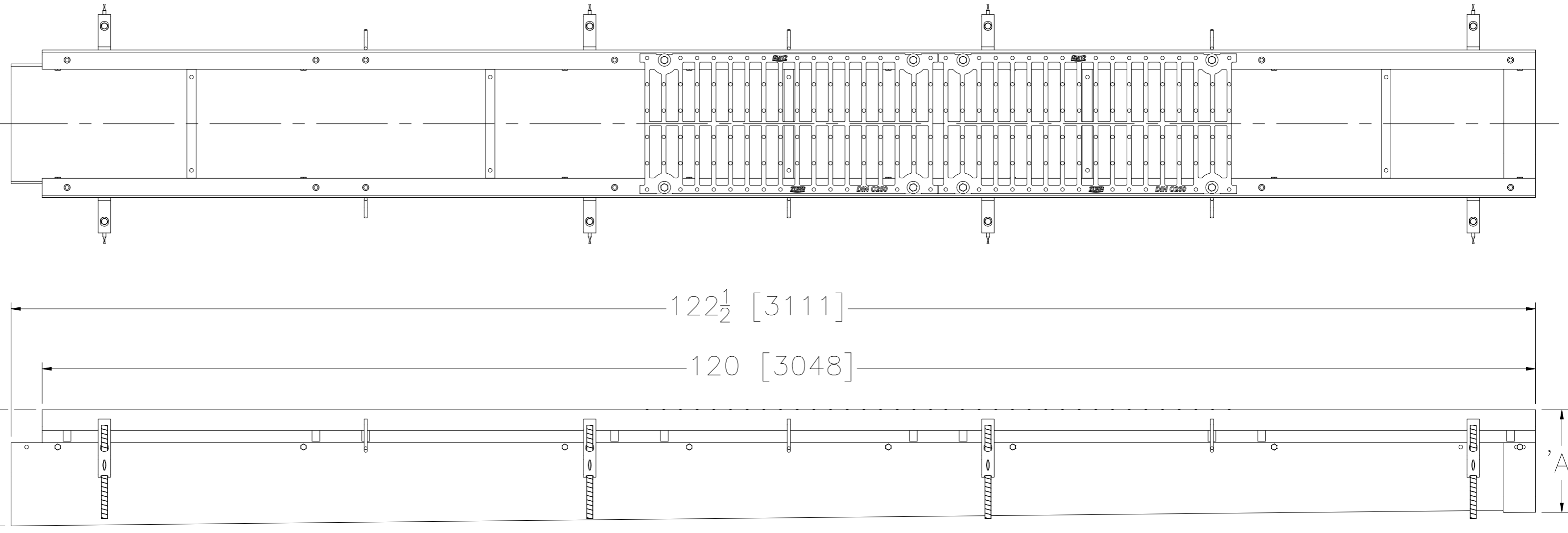
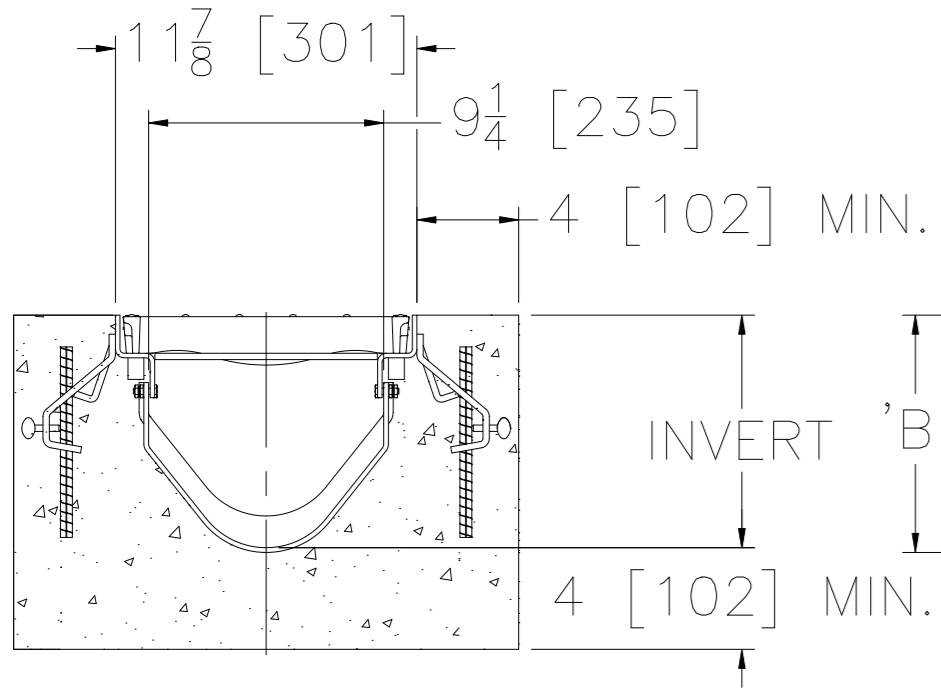


SPECIFYING ENGINEER IS RESPONSIBLE FOR CONCRETE ENCASEMENT AND REINFORCING BASED UPON APPLICATION AND LOCAL CODES.



Note: +Actual Channel length is $122\frac{1}{2}$ [3112] to allow for overlap.