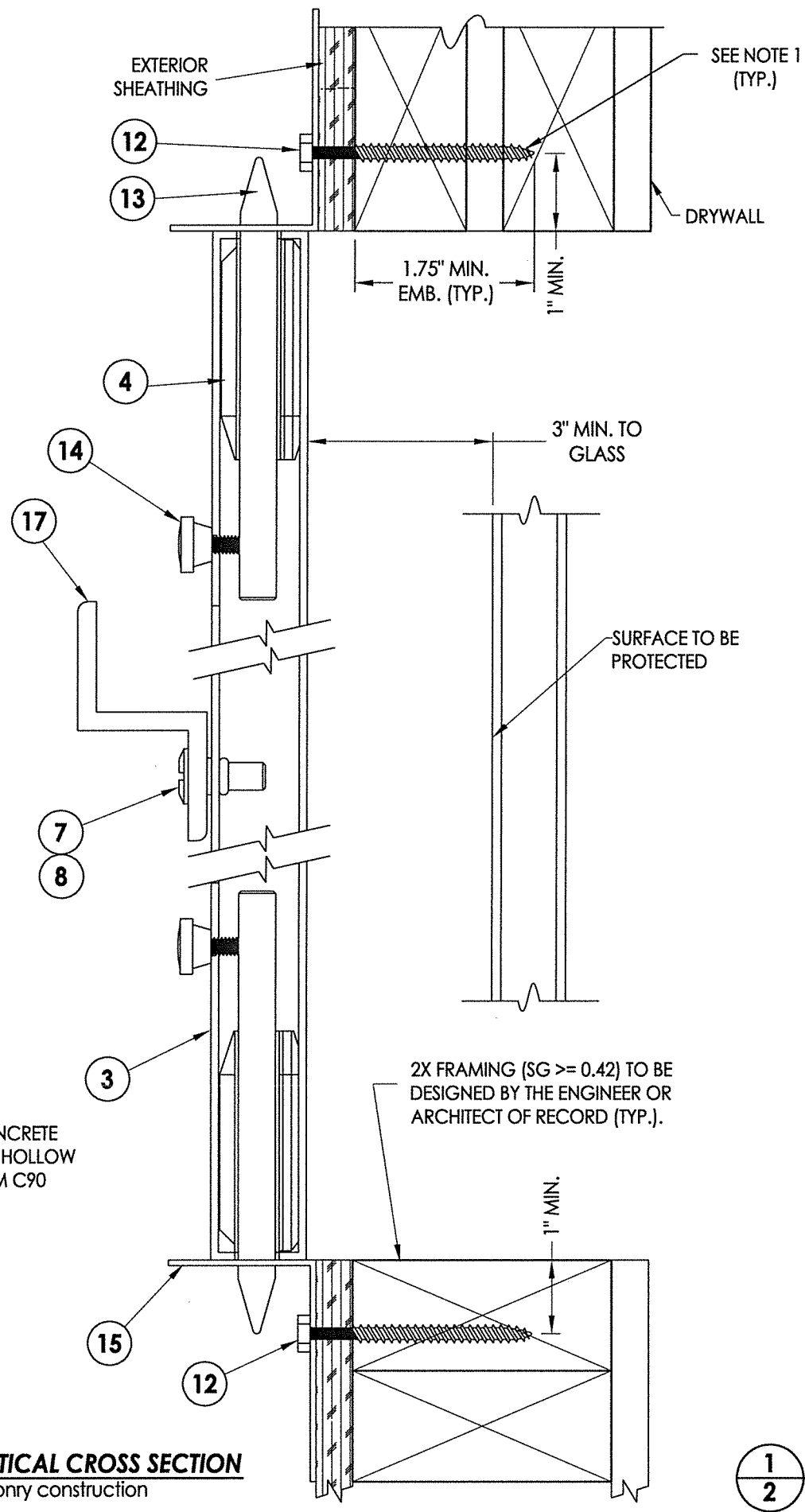


1 VERTICAL CROSS SECTION
2 Masonry construction



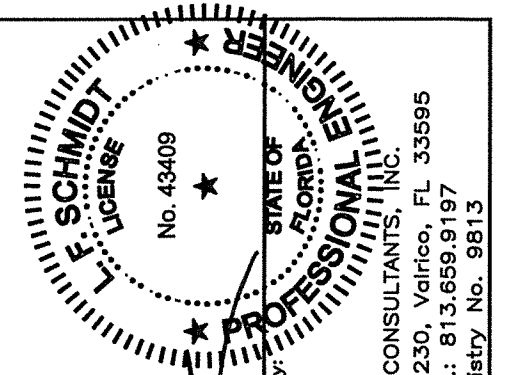
1 VERTICAL CROSS SECTION
2 Stud construction

NOTE 1:
MAINTAIN 1/2" MIN. EDGE
DISTANCE TO EDGE OF STUD TO
PREVENT SPLITTING OF WOOD.

20 MASONRY ANCHOR SCHEDULE

ANCHOR	ANCHOR
<p>1/4" TAPCON SG EM = 1.75" CL = 3" ED = 1.25" (3,295 PSI MIN. CONC.)</p>	<p>1/4" ELCO/DeWALT PANELMATE MALE/FEMALE EM = 1.25" CL = 3" ED = 3"</p>
<p>1/4" ITW RED HEAD DYNABOLT SLEEVE ANCHOR EM = 1.125" CL = 3" ED = 1.5" (3,000 PSI MIN. CONC.)</p>	<p>1/4" ITW RED HEAD DYNABOLT SLEEVE ANCHOR EM = 1.125" CL = 3" ED = 1.5"</p>
<p>1/4" ALL POINTS SOLID-SET ANCHOR EM = 0.875" CL = 3" ED = 2" (3,000 PSI MIN. CONC.)</p>	<p>1/4" ALL POINTS SOLID-SET ANCHOR EM = 0.875" CL = 3" ED = 2"</p>
<p>1/4" ITW TAPCON EM = 1.75" CL = 3" ED = 4" (3,000 PSI MIN. CONC.)</p>	

EM = MINIMUM EMBEDMENT (PENETRATION)
CL = MINIMUM CENTER TO CENTER ANCHOR SPACING
ED = MINIMUM EDGE DISTANCE



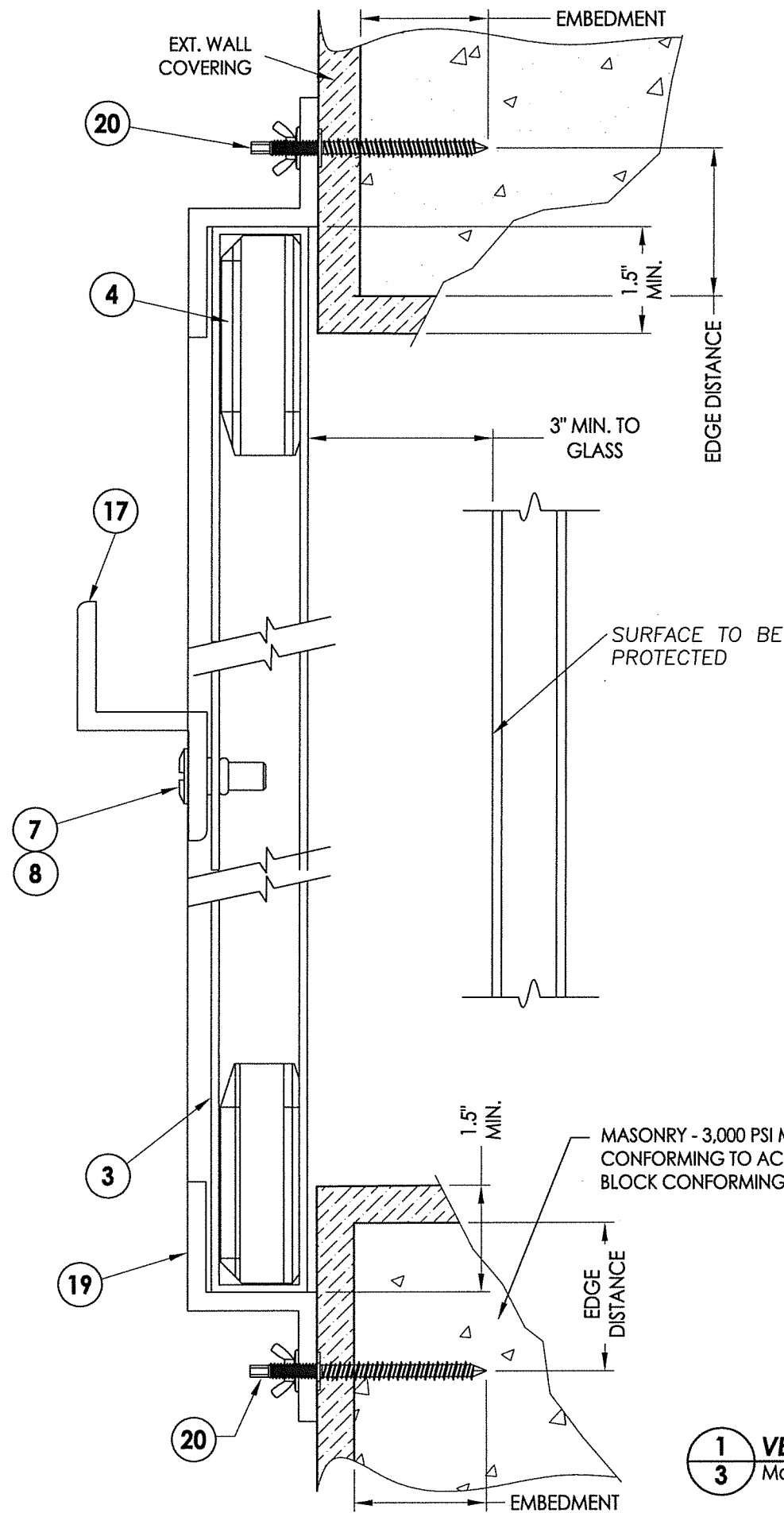
October 7, 2020

Documents Prepared By:
Lyndon F. Schmidt
P.E. No. 43409

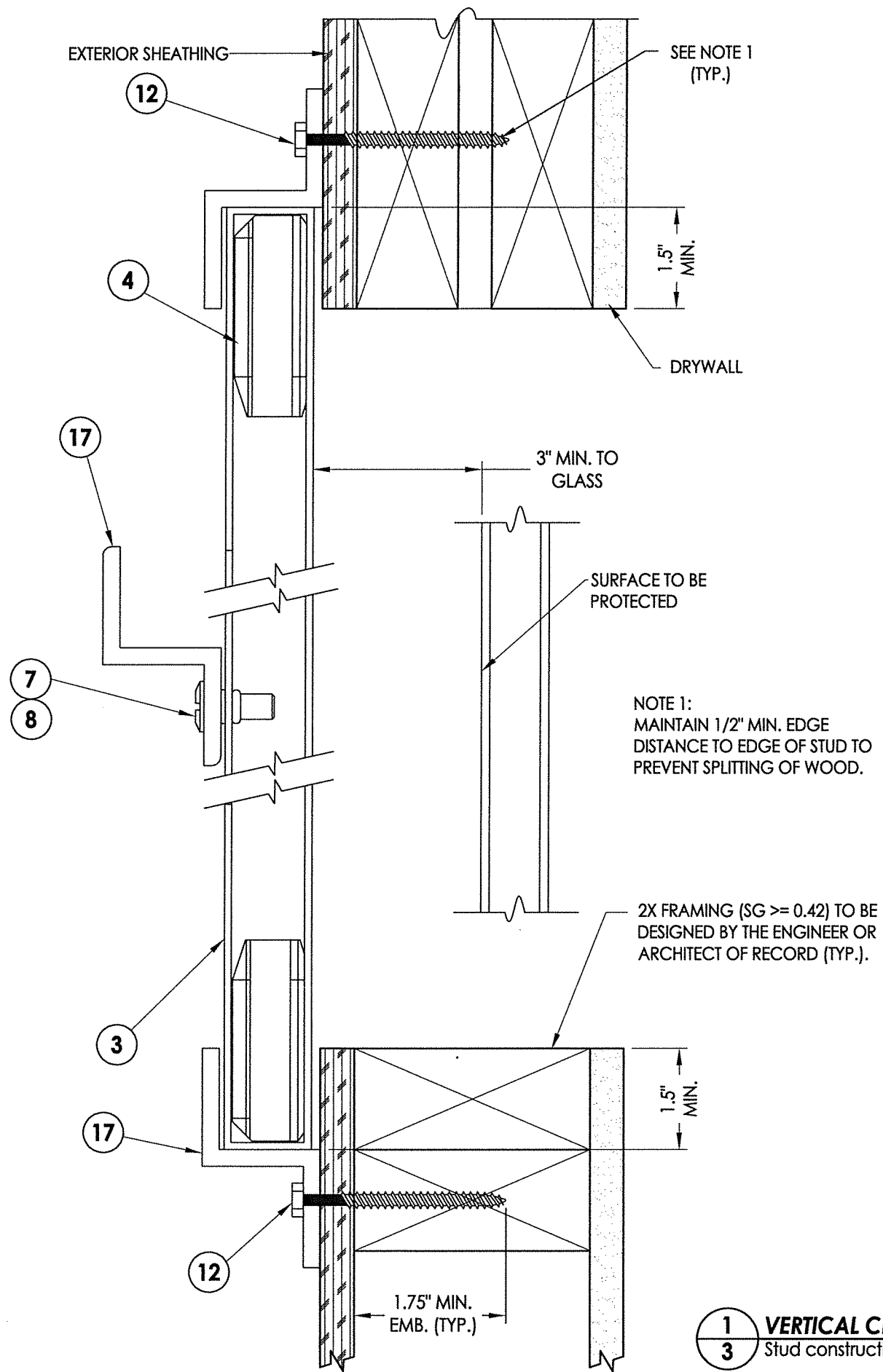
RW

BUILDING CONSULTANTS, INC.
P.O. Box 230, Vairico, FL 33595
Phone No.: 813.659.9197
FBPE Registry No. 9813

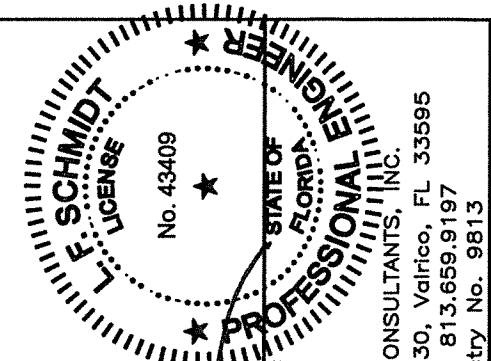
PRODUCT:	EXTRUDED ALUMINUM COLONIAL HURRICANE SHUTTER PART OR ASSEMBLY:
REVISIONS	VERTICAL CROSS SECTIONS MASONRY & STUD CONSTRUCTION
DATE:	2/05/15
SCALE:	N.T.S.
DWG. BY:	JK
CHK. BY:	LFS
DRAWING NO.:	FL-17474.1
SHEET	2 OF 7



1 VERTICAL CROSS SECTION
3 Masonry construction



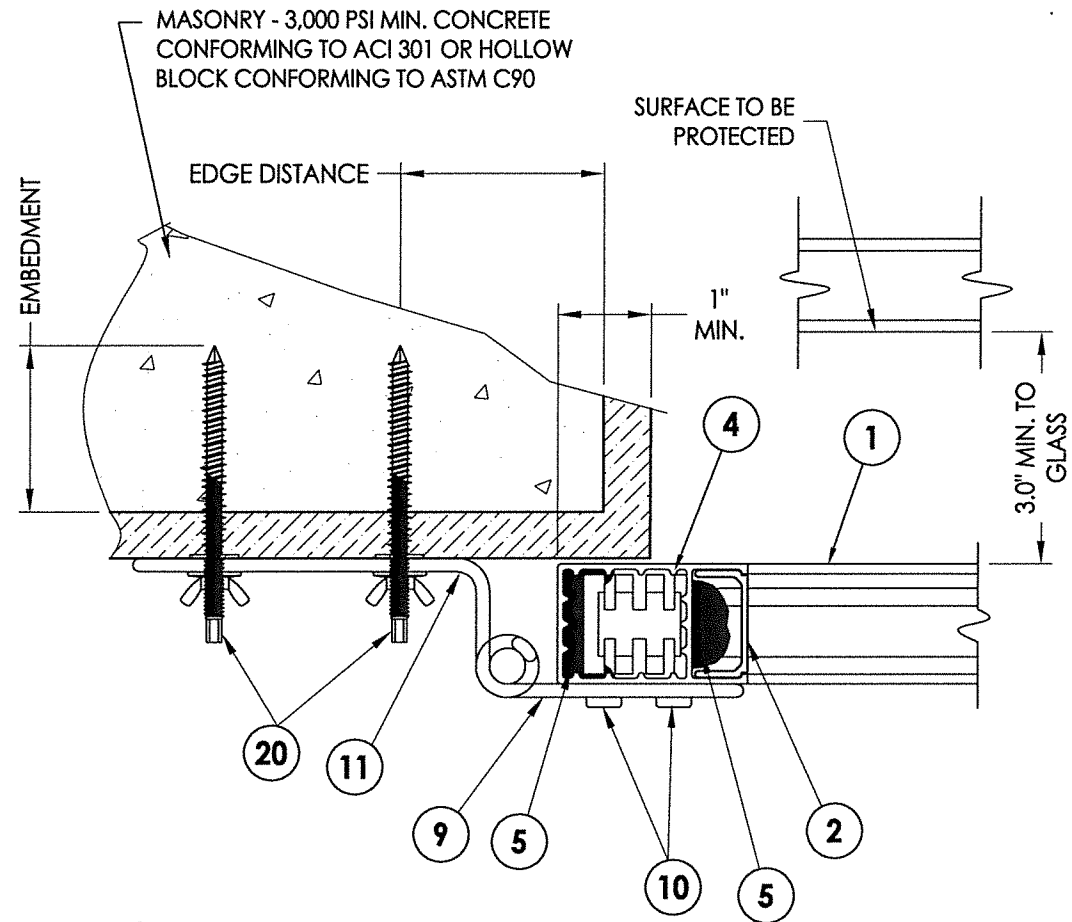
1 VERTICAL CROSS SECTION
3 Stud construction



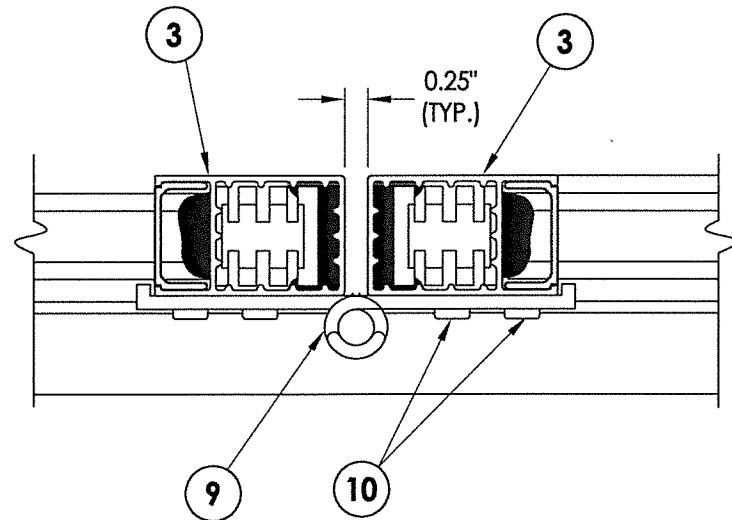
October 7, 2020
 Documents Prepared By:
 Lyndon F. Schmidt
 P.E. No. 43409
 R.W. BUILDING CONSULTANTS, INC.
 P.O. Box 230, Valrico, FL 33595
 Phone No.: 813.659.9197
 FBPE Registry No. 9813

PRODUCT:		EXTRUDED ALUMINUM COLONIAL HURRICANE SHUTTER	
PART OR ASSEMBLY:		VERTICAL CROSS SECTIONS MASONRY & STUD CONSTRUCTION	
DATE:	2/05/15	NO.	1
SCALE:	N.T.S.	DATE	10/05/20
DWG. BY:	JK	BY	LFS
CHK. BY:	LFS	REVISIONS	
DRAWING NO.:	FL-17474.1		
SHEET	3 OF 7		

R:\Clients\Fortified (SEI)\A - Florida Product Approvals\FL-17474C - Drawings\FL-17474 (2020)\FL-17474.1.dwg, 1.4

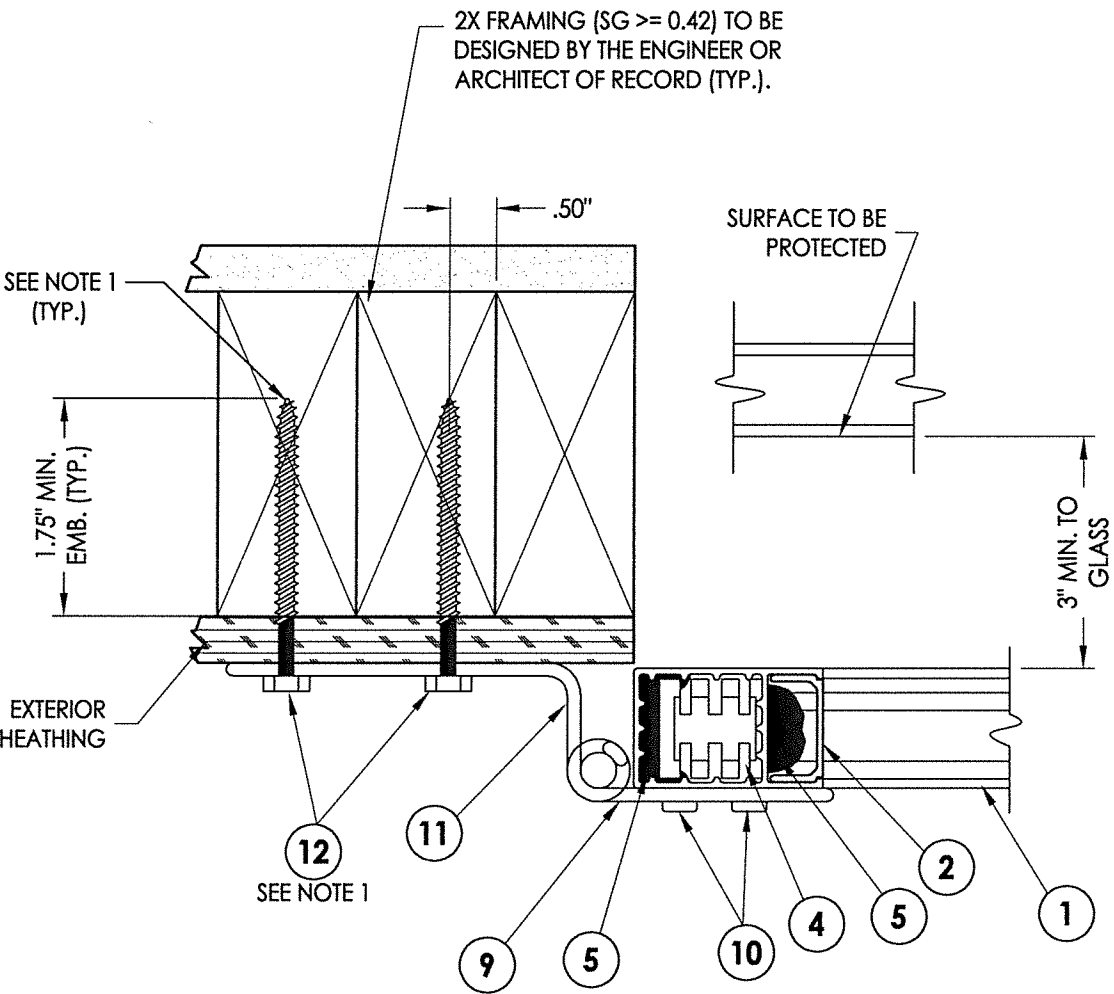


1 HORIZONTAL CROSS SECTION
4 Masonry construction

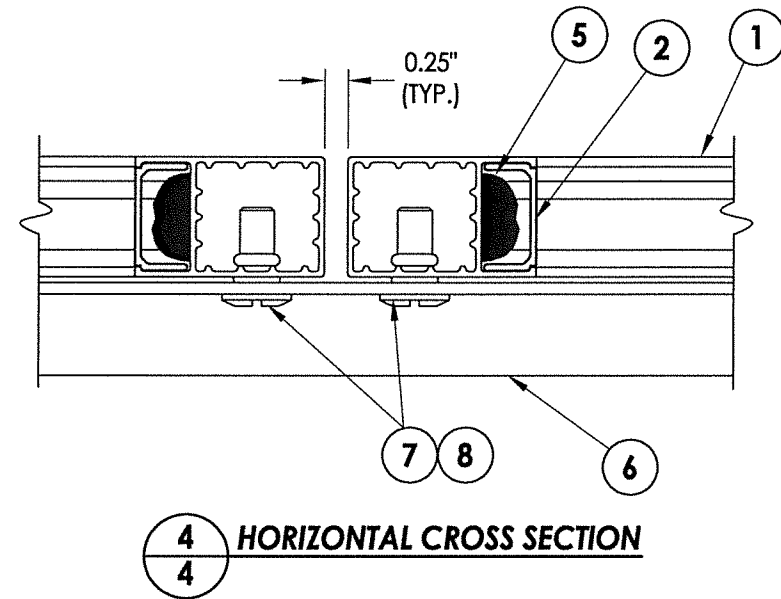


2 HORIZONTAL CROSS SECTION
4 Stud construction

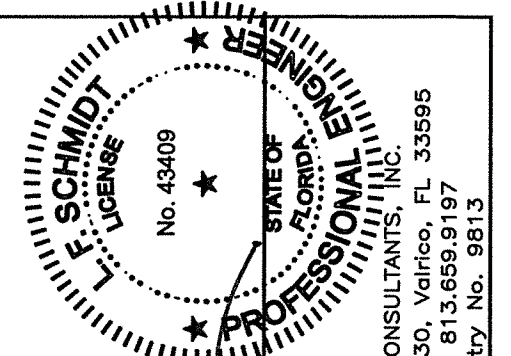
NOTE 1:
MAINTAIN 1/2" MIN. EDGE DISTANCE TO EDGE OF STUD TO PREVENT SPLITTING OF WOOD.



3 HORIZONTAL CROSS SECTION
4 Stud construction

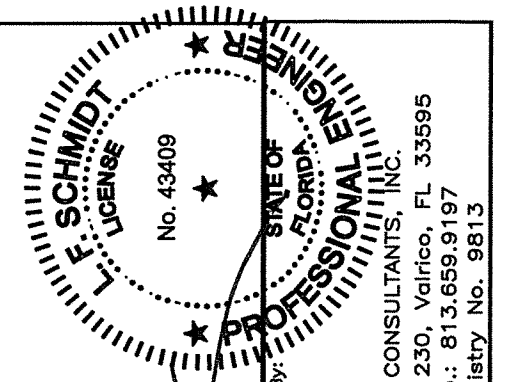
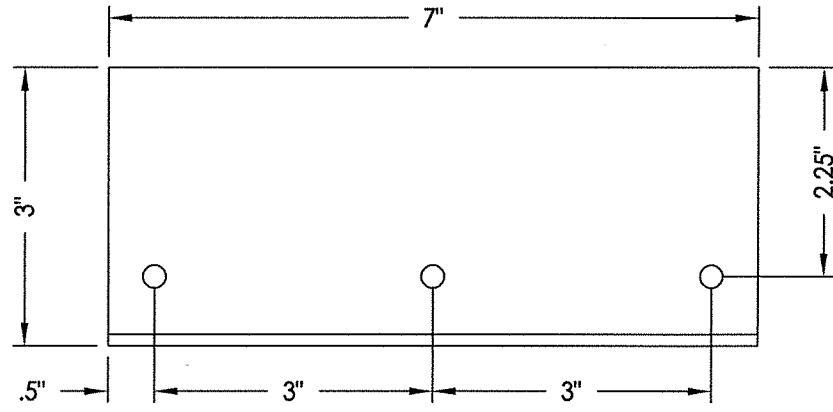
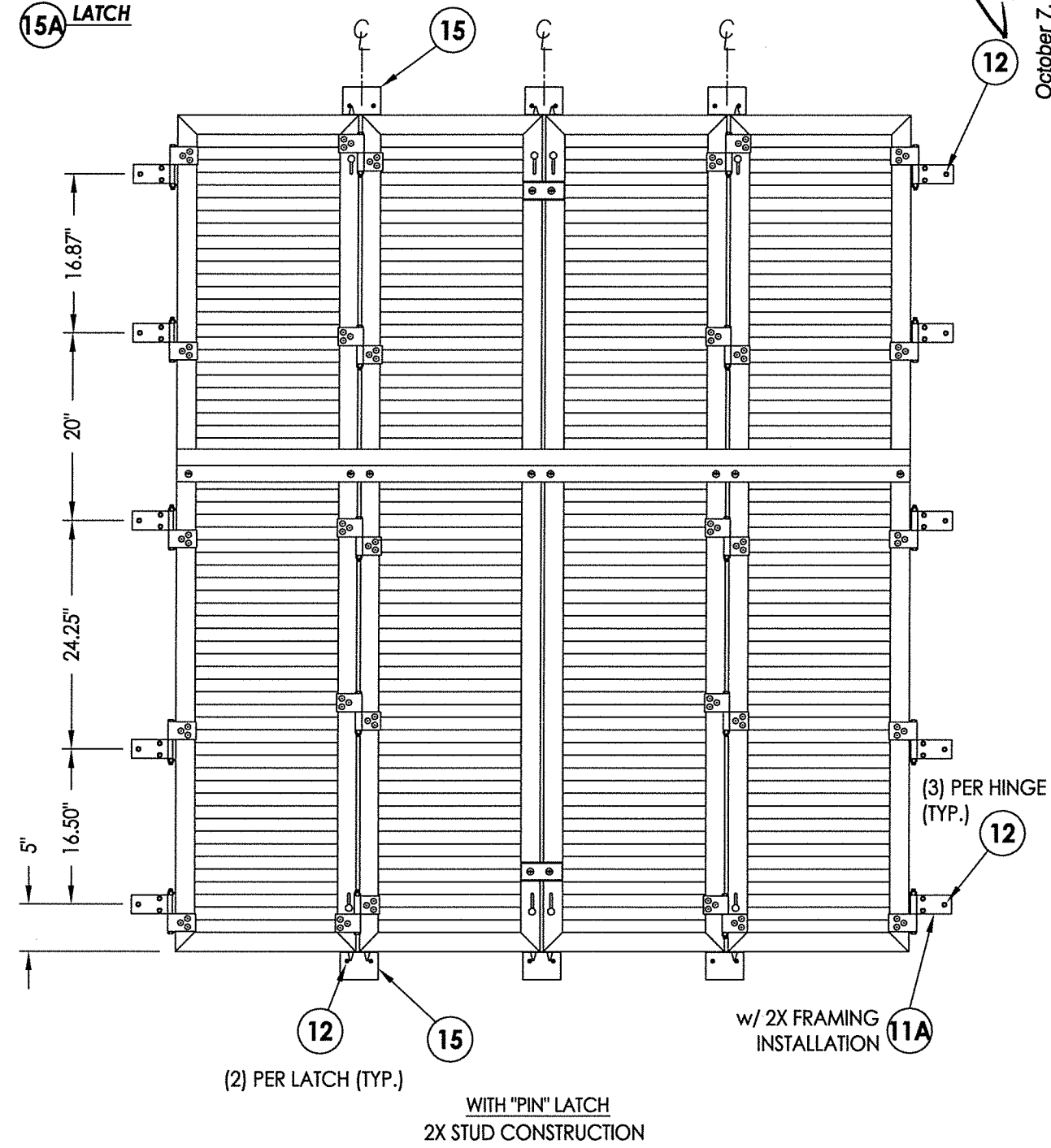
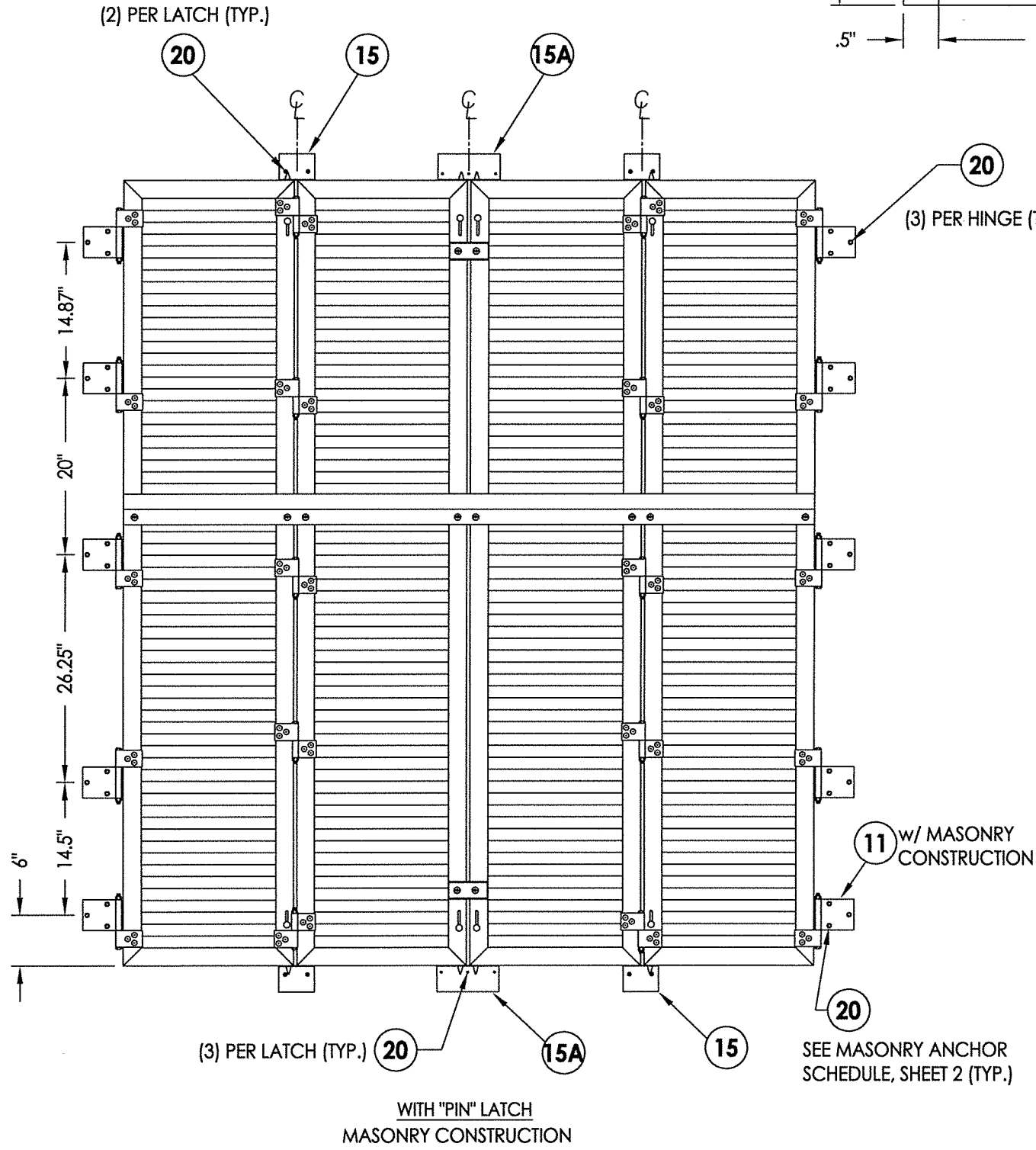


4 HORIZONTAL CROSS SECTION
4 Stud construction



October 7, 2020
 Documents Prepared By:
 Lyndon F. Schmidt
 P.E. No. 43409
 R.W. BUILDING CONSULTANTS, INC.
 P.O. Box 230, Valrico, FL 33595
 Phone No.: 813.659.9197
 FBPE Registry No. 9813

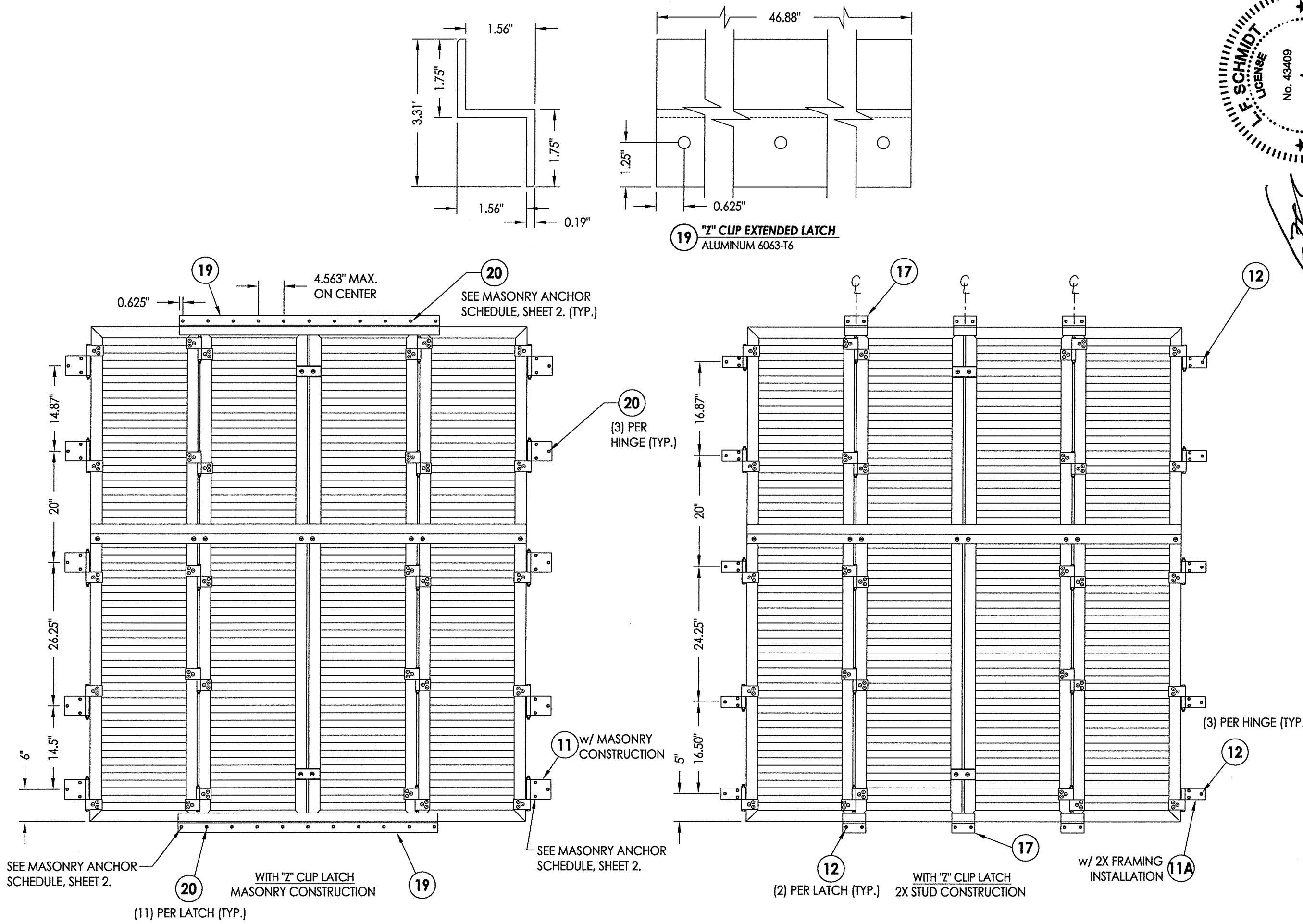
PRODUCT:		EXTRUDED ALUMINUM COLONIAL HURRICANE SHUTTER	
PART OR ASSEMBLY:		HORIZONTAL CROSS SECTIONS MASONRY & STUD CONSTRUCTION	
NO.	DATE	BY	REVISIONS
1	10/05/20	FBC	UPDATE TO 7TH ED. (2020)
DATE: 2/05/15		SCALE: N.T.S.	
DWG. BY: JK		CHK. BY: LFS	
DRAWING NO.: FL-17474.1		SHEET 4 OF 7	



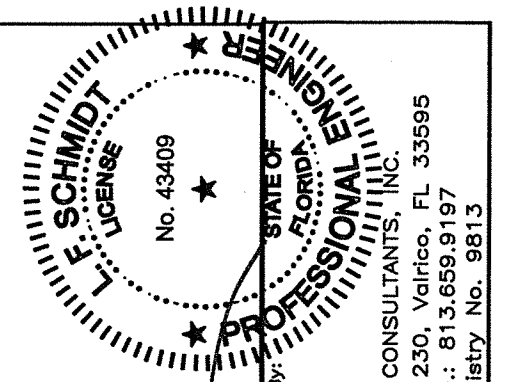
October 7, 2020
 Documents Prepared By:
 Lyndon F. Schmidt
 P.E. No. 43409
 R.W. BUILDING CONSULTANTS, INC.
 P.O. Box 230, Valrico, FL 33595
 Phone No.: 813.659.9197
 FBPE Registry No. 9813

PRODUCT:		EXTRUDED ALUMINUM COLONIAL HURRICANE SHUTTER	
PART OR ASSEMBLY:		ANCHORING LOCATIONS MASONRY & STUD INSTALLATION	
DATE:	2/05/15	NO.	1
SCALE:	N.T.S.	DATE:	10/05/20
DWG. BY:	JK	UPDATE TO:	7TH ED. (2020) FBC
CHK. BY:	LFS	BY:	LFS
DRAWING NO.:	FL-17474.1	REVISIONS	
SHEET	5 OF 7		

R:\Clients\Fortified (SEI)\A - Florida Product Approvals\FL-17474C - Drawings\FL-17474 (2020)\FL-17474.1.dwg, 1.6



19 "Z" CLIP EXTENDED LATCH
ALUMINUM 6063-T6



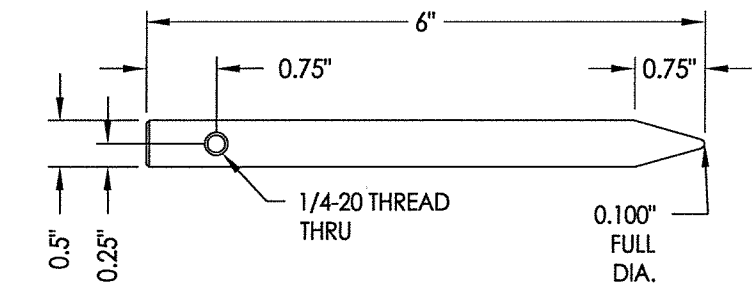
October 7, 2020
 Documents Prepared By:
 Lyndon F. Schmidt
 P.E. No. 43409
 R.W. BUILDING CONSULTANTS, INC.
 P.O. Box 230, Valrico, FL 33595
 Phone No.: 813.659.9197
 FBPE Registry No. 9813

PRODUCT:	EXTRUDED ALUMINUM COLONIAL HURRICANE SHUTTER	
PART OR ASSEMBLY:	ANCHORING LOCATIONS MASONRY & STUD INSTALLATION	
NO.	DATE	BY
1	10/05/20	UPDATE TO 7TH ED. (2020) FBC LFS
REVISIONS		
DATE:	2/05/15	
SCALE:	N.T.S.	
DWG. BY:	JK	
CHK. BY:	LFS	
DRAWING NO.:	FL-17474.1	
SHEET	6 OF 7	

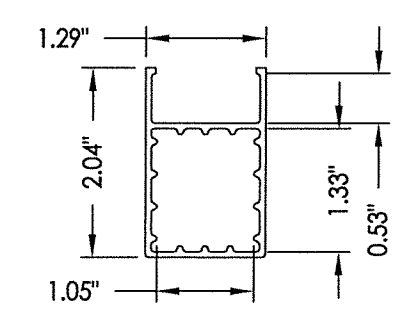
© 2015 R.W. BUILDING CONSULTANTS INC.

R:\Clients\Fortified (SEI)\A - Florida Product Approvals\FL-17474\C - Drawings\FL-17474 (2020)\FL-17474.1.dwg, 1.7

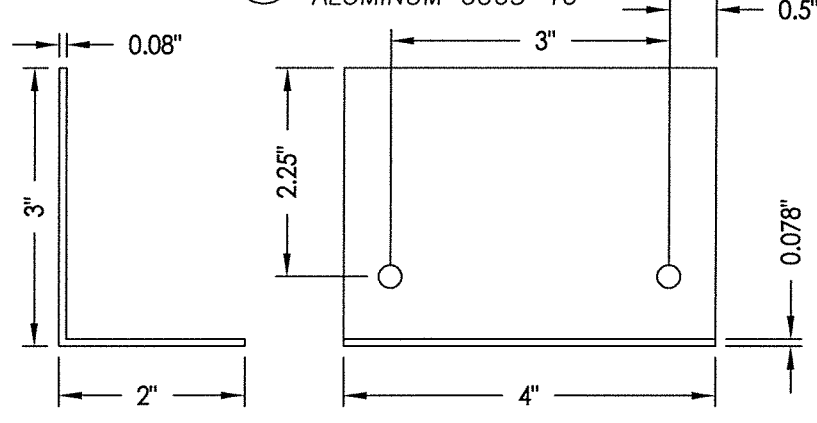
BILL OF MATERIALS		
1	LOUVER 6063-T6 0.060"	ALUM.
2	LOUVER/INSERT 6063-T6 0.060"	ALUM.
3	STILE/RAIL 6063-T6 0.060"	ALUM.
4	NYLON CORNER KEY	NYLON
5	STRUCTURAL ADHESIVE	-
6	STORM BAR 6063-T6	ALUM.
7	1/4-20 X 1" SIDEWALK BOLT	STEEL
8	1/4-20 RIV-NUT	ALUM.
9	FLAT HINGE	ALUM.
10	3/16" DIA. POP RIVET	ALUM.
11	SINGLE HINGE MASONRY	ALUM.
11A	SINGLE HINGE WOOD	ALUM.
12	1/4" X 3" H.H. LAG SCREW	STEEL
13	LOCKING PIN	ALUM.
14	THUMB SCREW	STEEL
15	LATCH	ALUM.
17	"Z" CLIP	ALUM.
19	"Z" CLIP EXTENDED LATCH	ALUM.
20	ANCHOR - SEE MASONRY ANCHOR SCHEDULE	STEEL



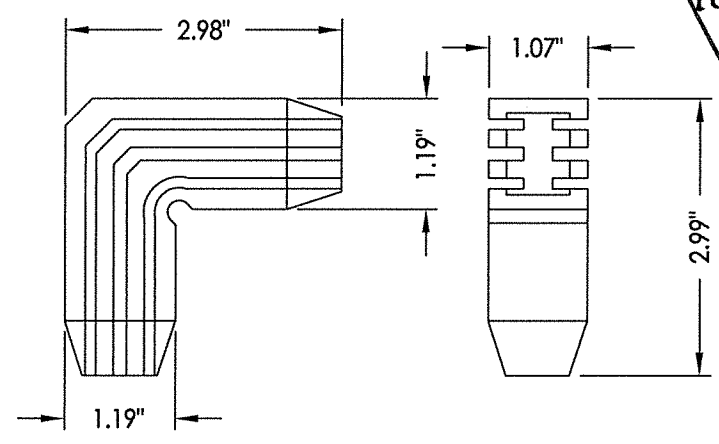
13 LOCKING PIN
ALUMINUM 6063-T6



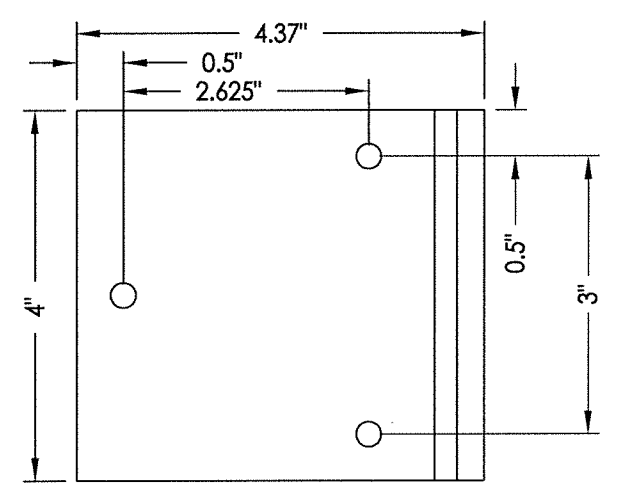
3 STILE/RAIL
EXTRUDED ALUMINUM
6063-T6
0.060" TYP. WALL THK.



15 LATCH
ALUMINUM 6063-T6

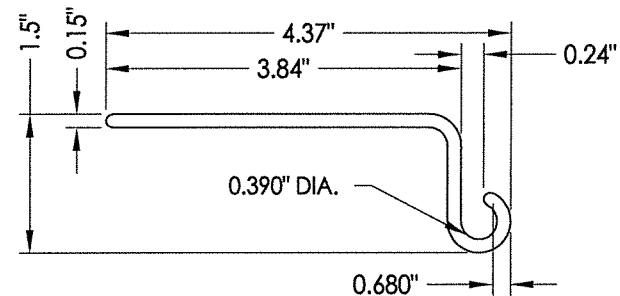


4 NYLON CORNER KEY

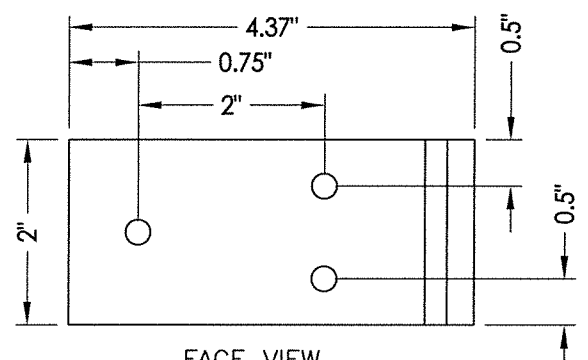


FACE VIEW

11 SINGLE HINGE MASONRY
EXTRUDED ALUMINUM
6063-T6

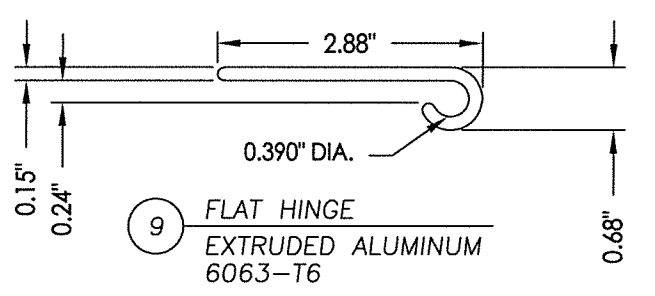


11 11A SINGLE HINGE
EXTRUDED ALUMINUM
6063-T6

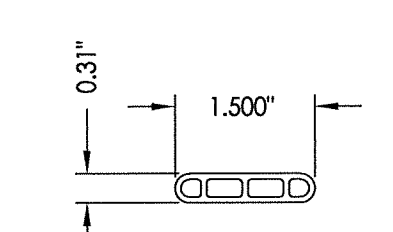


FACE VIEW

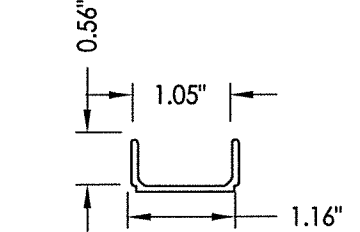
11A SINGLE HINGE WOOD
EXTRUDED ALUMINUM
6063-T6



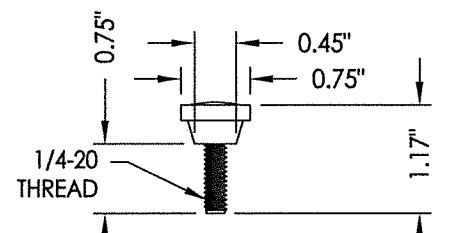
9 FLAT HINGE
EXTRUDED ALUMINUM
6063-T6



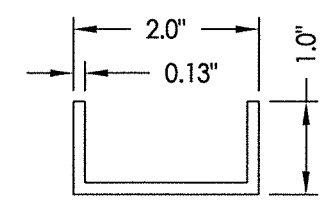
1 LOUVER
EXTRUDED ALUMINUM
6063-T6
0.060" TYP. WALL THK.



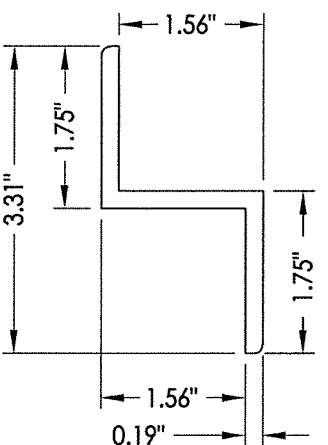
2 LOUVER/INSERT
EXTRUDED ALUMINUM
6063-T6
0.060" TYP. WALL THK.



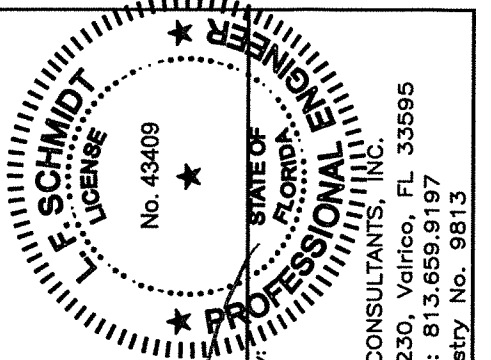
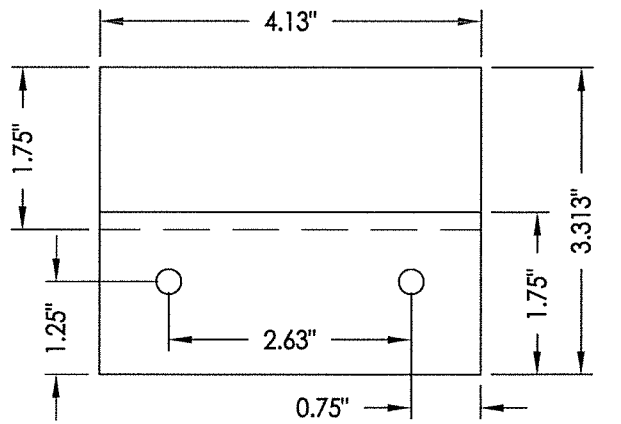
14 THUMB SCREW
STEEL



6 STORM BAR
EXTRUDED ALUMINUM
6063-T6



17 "Z" CLIP
ALUMINUM 6063-T6



October 7, 2020

Documents Prepared By:
Lyndon F. Schmidt
P.E. No. 43409

R.W. BUILDING CONSULTANTS, INC.
P.O. Box 230, Valrico, FL 33595
Phone No.: 813.659.9197
FBPE Registry No. 9813

PRODUCT:
EXTRUDED ALUMINUM
COLONIAL HURRICANE SHUTTER
PART OR ASSEMBLY:
BILL OF MATERIALS
& COMPONENTS

NO.	DATE	REVISIONS	LFS	BY
1	10/05/20	UPDATE TO 7TH ED. (2020) FBC	LFS	BY

DATE: 2/05/15
SCALE: N.T.S.
DWG. BY: JK
CHK. BY: LFS
DRAWING NO.: 17474.1
SHEET 7 OF 7