



LISTING INFORMATION OF Metl-Span - CF (Concealed Fastener Wall), CFR and LS-36
(Roof) Insulated Metal Panels

SPEC ID: 29625

Metl-Span, A Division of NCI Group, Inc.
1720 Lakepointe Drive, Suite 101
Lewisville, TX 75057

This report is for the exclusive use of Intertek's Client and is provided pursuant to the agreement between Intertek and its Client. Intertek's responsibility and liability are limited to the terms and conditions of the agreement. Intertek assumes no liability to any party, other than to the Client in accordance with the agreement, for any loss, expense or damage occasioned by the use of this report. Only the Client is authorized to permit copying or distribution of this report and then only in its entirety. Any use of the Intertek name or one of its marks for the sale or advertisement of the tested material, product or service must first be approved in writing by Intertek. The observations and test results in this report are relevant only to the sample tested. This report by itself does not imply that the material, product, or service is or has ever been under an Intertek certification program.

Metl-Span CF (Concealed Fastener Wall), and CFR & LS-36 (Roof) Insulated Metal Panels

CF, CFR and LS-36 Panels are composite panels made of a polyurethane foam core which is foamed in place between the roll formed steel faces.

CF and CFR min. panel thickness is 2 in. LS-36 min. panel thickness is 1-1/2 in. Max. panel thickness is 6 in. for all panels. Panel width may be 12" to 44.5". Panel face thickness may be 26 gauge to 22 gauge. Panel face profile may be any of the published standard profiles. CF Panels may be installed in the vertical or horizontal orientation. CFR panels are installed as roof panels.

One edge of the panel is formed with a unique "male"-connection profile, while the other edge is formed with the corresponding "female"-connection profile. The ends of the panel are cut straight and square. Panels are not fully encapsulated by the metal skin—the foam core is exposed around all edges. The panels are installed thru interlocking of adjacent panels, and flashing installed over the panel ends providing a continuous steel skin weather barrier and non combustible steel face protecting the polyurethane core. The panel core is a two-component (Part A and Part B) polyurethane foam that is mixed and injected between the steel skins.

RATINGS

PRODUCT	STANDARD	RATING
CF, CFR & LS-36 Panel Assembly	ASTM E84 (2010b)	Flame Spread: ≤ 25 Smoke Developed: ≤ 450
CF, CFR & LS-36 Foam Core	ASTM E84 (2010b)	Flame Spread: ≤ 25 Smoke Developed: ≤ 450
CF, CFR & LS-36 Panel Assembly with Gypsum Wall Board	ASTM E119 (2010e)	1 Hour Non Load Bearing Fire Rating
CF, CFR & LS-36 Panel Assembly	CAN/ULC S101 (2007)	Meets 15 Minute Stay in Place Requirements (See Design No. MSN/CWP 15-01)
CF, CFR & LS-36 Panel Assembly with Gypsum Wall Board	CAN/ULC S101 (2007)	1 Hour Non Load Bearing Fire Rating
CF, CFR & LS-36 Panel Assembly	CAN/ULC S102 (2010)	Flame Spread: 0 Smoke Developed: 17 Fuel Contribution Value: 0 (average)
CF, CFR & LS-36 Foam Core	CAN/ULC S102 (2010)	Flame Spread: 10 Smoke Developed: 40 Fuel Contribution Value: 0 (average)
CFR & LS-36 Panel	CAN/ULC S126-M86	Flame Spread: Pass

Assembly	(R2000)	Smoke Developed: Pass
CF & LS-36 Panel Assembly	CAN/ULS S134 (1992)	Flame Spread: < 5m Heat Flux: <35 KW/m ² Meets NBC 2005 Section 3.1.5.5 (See Design No. MSN/CWP 30-03)
CF Panel Assembly	CAN/ULC S138 (2006)	Meets Requirements
CF, CFR & LS-36 Panel Assembly	NFPA 259 (2008)	11150.8 Btu/lb Average
CF & LS-36 Panel Assembly	NFPA 285 (2006)	Meets Requirements (See Design No. MSN/CWP 30-01)
CF, CFR & LS-36 Panel Assembly	NFPA 286 (2006)	Meets IBC 2009 Section 803.1.2.1 15 Minute Duration
CFR & LS-36 Panel Assembly	ASTM E 108 (2011) and CAN/ULC S 107 (2010)	Class A Spread of Flame – Pass† Class A Intermittent Flame - Pass† Class A Burning Brand - Pass† (†Unlimited Roof Slope)

Attribute

Value

- Criteria CAN / ULC S107 (1987)
- Criteria CAN / ULC S101 (2007)
- Criteria CAN / ULC S126-M86 (R2000)
- Criteria CAN / ULC S134-92 (R1998)
- Criteria NFPA 286 (2006)
- Criteria NFPA 259 (2008)
- Criteria CAN / ULC S138 (2006)
- Criteria NFPA 285 (2006)
- Criteria ASTM E84 (2010b)
- Criteria ASTM E108 (2010a)
- Criteria CAN / ULC S102 (2010)
- Criteria ASTM E84 (2011a)
- Criteria ASTM E84 (2012)

Criteria	ASTM E84 (2011c)
Criteria	ASTM E84 (2011b)
Criteria	NFPA 285 (2012)
Criteria	ASTM E119 (2012a)
CSI Code	07 40 00 Roofing and Siding Panels
CSI Code	07 42 43 Composite Wall Panels
Intertek Services	Certification
Listed or Inspected	LISTED
Listing Section	BUILDING PANELS
Report Number	101441269SAT-005a; 101678087SAT-001b
Spec ID	29625

DRAWING INDEX

Design No. MSN/CWP 15-01 (Rev. 5)

Design No. MSN/CWP 30-01 (Rev. 1)

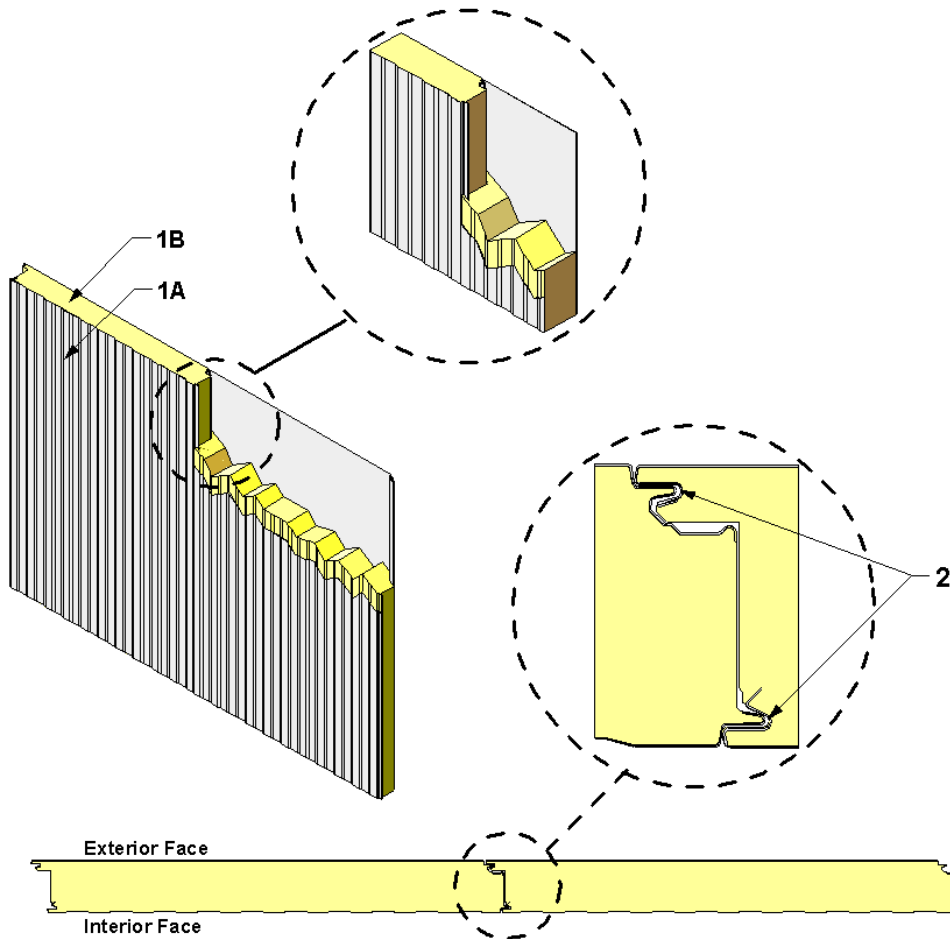
Design No. MSN/CWP 30-03 (Rev. 1)

Design No. MSN/CWP 15-01 (Rev. 5)

Division 7 Thermal and Moisture Protection
07 42 00 Wall Panels
07 42 43 Composite Wall Panels

Page 1 of 2

Design Number MSN/CWP 15-01
Wall Assemblies
Metl-Span a Division of NCI Group, Inc.
Metl-Span CF (Concealed Fastener) and LS-36 Insulated Metal Panels
CAN/ULC-S101 (2007)
Rating: 15 Minute Remain in Place



1. CERTIFIED MANUFACTURER: Metl-Span a Division of NCI Group, Inc.
CERTIFIED PRODUCT: Wall Panels

MODEL: Metl-Span CF and LS-36 Panels

INSULATED WALL PANELS: Construct panels nominally measuring 12 in. to

Date Created: April 16, 2009 (Rev. 5 [9/24/14])
Project No: 3158499SAT-004

©Intertek



Design No. MSN/CWP 15-01 (Rev. 5) (page 2 of 2)

Division 7 Thermal and Moisture Protection
07 42 00 Wall Panels
07 42 43 Composite Wall Panels

Page 2 of 2

44-1/2 in. wide, having a max. length of 65 feet, and a min. thickness of 2 in. (min. 1-1/2 in. for LS-36 panels). Install panels with the longitudinal (long dimension) edges placed horizontally or vertically. Construct wall panels of the following materials:

- A. Panel Facing – Construct of two panels (faces) of min. 26 GA galvanized or zinc/aluminum alloy coated steel with painted or mill finish, or min. 26 GA stainless steel with mill finish.
- B. Polyurethane Foam Core – Fill hollow core between panel faces (Item 1A) with nominal 2.17 lb. per cubic ft. density polyurethane foam forming the male and female mating edges of the panels.

2. Side Joint Sealant – (Optional)

- A. CF Insulated Metal Panel – Install a nominal 3/16 in. bead of one-component, urethane or butyl sealant to the female edge of the panel on either the exterior, interior, or both sides prior to joining the insulated wall panels (Item 2).
- B. LS-36 Insulated Metal Panel – Install a nominal 3/16 in. bead of one-component, urethane or butyl sealant to the female edge of the panel on the interior side prior to joining the insulated wall panels (Item 2 “interior”). Install butyl tape sealant for the exterior lap joint (not shown).

Date Created: April 16, 2009 (Rev. 5 [9/24/14])
Project No: 3158499SAT-004



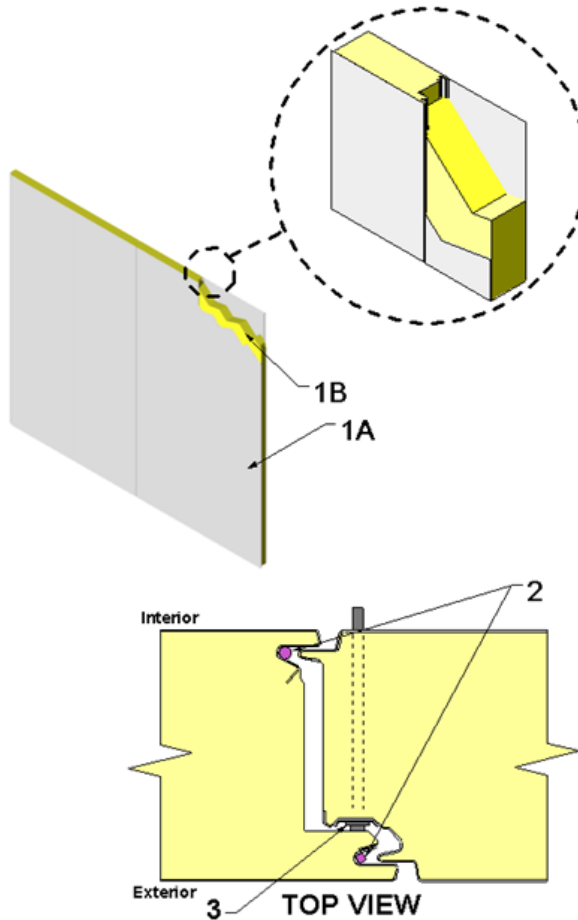
©Intertek

Design No. MSN/CWP 30-01 (Rev. 1)

Division 7 Thermal and Moisture Protection
07 42 00 Wall Panels
07 42 43 Composite Wall Panels

Page 1 of 2

Design Number MSN/CWP 30-01
Non-Load Bearing Wall System
Metl-Span a Division of NCI Group, Inc.
Metl-Span CF and LS-36 Insulated Panels
NFPA 285
Rating: Meets Conditions of Acceptance



- 1. CERTIFIED COMPANY: Metl-Span a Division of NCI Group, Inc.
CERTIFIED PRODUCT: Wall Panels
MODEL: Metl-Span CF Insulated Metal Panels and LS-36 Insulated Metal Panels (Not Shown)

INSULATED WALL PANELS: Construct wall of panels measuring nominal 12 to 44-1/2 in. wide. Min. thickness of the Metl-Span CF Insulated Metal Panels is 2 in. and LS-36 is 1-1/2 in. Max. approved thickness of 6 in. Install

Date Revised: July 29, 2014
Project No: 101205050SAT-006



©Intertek

Design No. MSN/CWP 30-01 (Rev. 1) (page 2 of 2)**Division 7 Thermal and Moisture Protection****07 42 00 Wall Panels****07 42 43 Composite Wall Panels**

panels with the longitudinal (long dimension) edges placed horizontally or vertically. Construct wall panels of the following materials:

- A. Panel Facing – Construct interior and exterior faces of min. 26 GA galvanized or zinc/aluminum alloy coated steel with painted or mill finish, or min. 26 GA stainless steel with mill finish. Panel faces are roll formed with a smooth (no profile) or corrugated profile.
 - B. Polyurethane Foam Core – Fill hollow core between panel faces (Item 1A) with nominal 2.17 pcf density polyurethane foam forming the male and female mating edges of the panels.
2. SIDE JOINT SEALANT – (Optional)
- A. CF Insulated Metal Panel - Install a nominal 3/16 in. bead of one component, urethane or butyl sealant to the female edge of the panel on either the exterior, interior, or both sides prior to joining the insulated wall panels (Item 1A).
 - B. LS-36 Insulated Metal Panel – Install a nominal 3/16 in. bead of one-component, urethane or butyl sealant to the female edge of the

Page 2 of 2

panel on the interior side prior to joining the insulated wall panels (Item 1). Install butyl tape sealant for the exterior lap joint.

3. FASTENERS: Install fasteners according to panel type.
 - C. CF (Concealed-Fastener) Panels: Install two (2) Number 14, or 1/4 in. diameter hex head screws through 7/8 in. wide X 4 in. long concealed panel clips within the side joints of the insulated wall panel (Item 1). The screws shall be of sufficient length so as to properly engage the wall support member. Install clips at each wall support member.
 - D. LS-36 Panel: (Not Shown) Install Number 14, or 1/4 in. diameter x 7/8 in. Lap Tek screws at a min. of 20 in. on center (oc) through the panel overlap at the exterior side joint. Install #14 or 1/4 in. diameter screws through wall panel at 12 in. oc. between the major panel ribs to secure the panel to wall support member. The screws shall be of sufficient length so as to properly engage the wall support member. Fasteners shall be used at all wall support members.

Date Revised: July 29, 2014
Project No: 101205050SAT-006



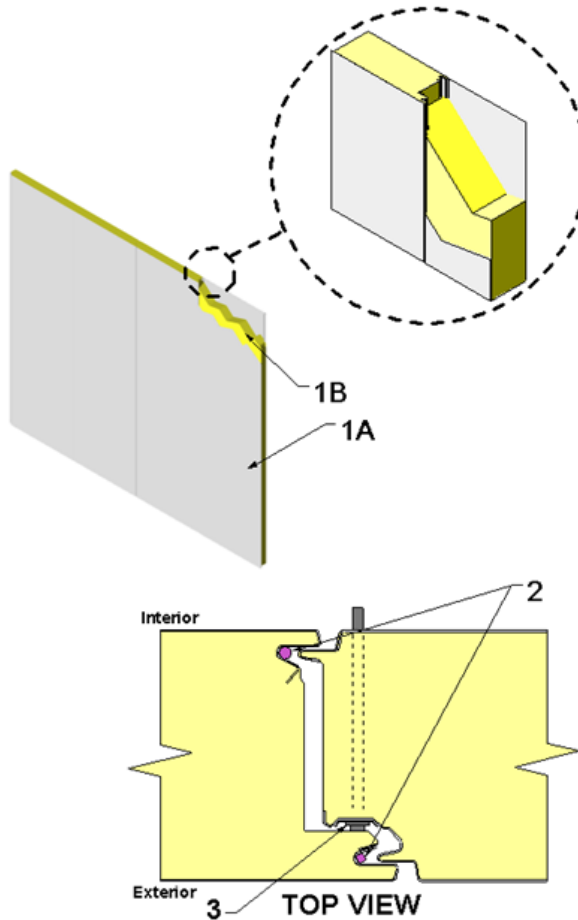
©Intertek

Design No. MSN/CWP 30-03 (Rev. 1)

Division 7 Thermal and Moisture Protection
07 42 00 Wall Panels
07 42 43 Composite Wall Panels

Page 1 of 2

Design Number MSN/CWP 30-03
Non-Load Bearing Wall System
Metl-Span a Division of NCI Group, Inc.
Metl-Span CF and LS-36 Insulated Panels
CAN/ULC S 134 (1992)
Meets the Requirements of Section 3.1.5.5 of the National Building Code of Canada, 2010



- 1. CERTIFIED COMPANY: Metl-Span a Division of NCI Group, Inc.
- CERTIFIED PRODUCT: Wall Panels
- MODEL: Metl-Span CF Insulated Metal Panels and LS-36 Insulated Metal Panels (Not Shown)

INSULATED WALL PANELS: Construct wall of panels measuring nominal 12 to 44-1/2 in. wide. Min. thickness of the Metl-Span CF Insulated Metal Panels is 2 in. and LS-36 is 1-1/2 in. Max. approved thickness of 6 in. Install

Date Revised: July 29, 2014
Project No: 101678087SAT-001



©Intertek

Design No. MSN/CWP 30-03 (Rev. 1) (page 2 of 2)**Division 7 Thermal and Moisture Protection****07 42 00 Wall Panels****07 42 43 Composite Wall Panels**

panels with the longitudinal (long dimension) edges placed horizontally or vertically. Construct wall panels of the following materials:

- A. Panel Facing – Construct interior and exterior faces of min. 26 GA galvanized or zinc/aluminum alloy coated steel with painted or mill finish, or min. 26 GA stainless steel with mill finish. Panel faces are roll formed with a smooth (no profile) or corrugated profile.
 - B. Polyurethane Foam Core – Fill hollow core between panel faces (Item 1A) with nominal 2.17 pcf density polyurethane foam forming the male and female mating edges of the panels.
2. SIDE JOINT SEALANT – (Optional)
- A. CF Insulated Metal Panel - Install a nominal 3/16 in. bead of one component, urethane or butyl sealant to the female edge of the panel on either the exterior, interior, or both sides prior to joining the insulated wall panels (Item 1A).
 - B. LS-36 Insulated Metal Panel – Install a nominal 3/16 in. bead of one-component, urethane or butyl sealant to the female edge of the

Page 2 of 2

panel on the interior side prior to joining the insulated wall panels (Item 1). Install butyl tape sealant for the exterior lap joint.

3. FASTENERS: Install fasteners according to panel type.
 - C. CF (Concealed-Fastener) Panels: Install two (2) Number 14, or 1/4 in. diameter hex head screws through 7/8 in. wide X 4 in. long concealed panel clips within the side joints of the insulated wall panel (Item 1). The screws shall be of sufficient length so as to properly engage the wall support member. Install clips at each wall support member.
 - D. LS-36 Panel: (Not Shown) Install Number 14, or 1/4 in. diameter x 7/8 in. Lap Tek screws at a min. of 20 in. on center (oc) through the panel overlap at the exterior side joint. Install #14 or 1/4 in. diameter screws through wall panel at 12 in. oc. between the major panel ribs to secure the panel to wall support member. The screws shall be of sufficient length so as to properly engage the wall support member. Fasteners shall be used at all wall support members.

Date Revised: July 29, 2014
Project No: 101678087SAT-001



©Intertek