

Miele

Installation Plan

Heat-Pump Dryer



PDR 908 HP

Always read the operating and installation instructions before setting up, installing, and commissioning the machine. This prevents both personal injury and damage to the machine.

en-US

11 278 880/04

Please have the model and serial number of your machine available when contacting Technical Service.

U.S.A.

Miele, Inc.

National Headquarters

9 Independence Way
Princeton, NJ 08540
Phone: 800-991-9380
Fax: 609-419-4241
www.miele-pro.com
proinfo@mieleusa.com

Technical Service & Support

Phone: 800-991-9380
Fax: 800-220-1348
proservice@mieleusa.com

Legend:

 Connection required

AL Vented

ASK Condensate drain hose

B Machine anchoring


EL Electrical connection

F Machine feet, adjustable

KG Payment system

KGA Payment system connection

KLA Cooling air vent

 Connection optional or required,
depending on model

KLZ Cooling air intake

PA Equipotential bonding and
grounding

SLA Peak-load connection

UG Closed plinth

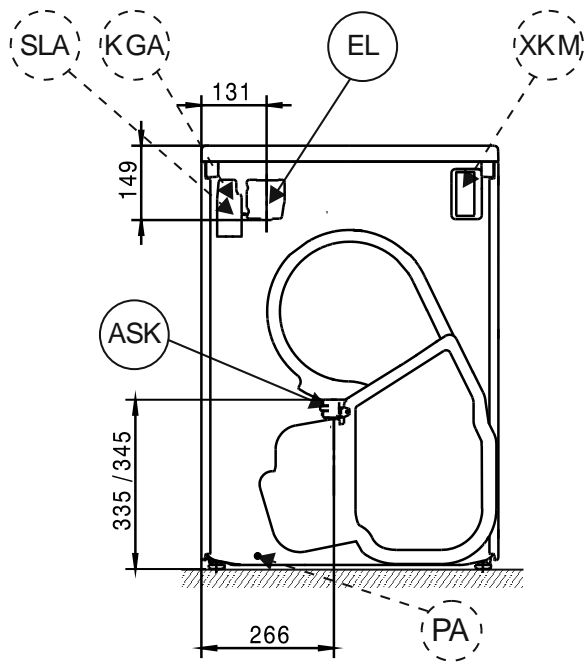
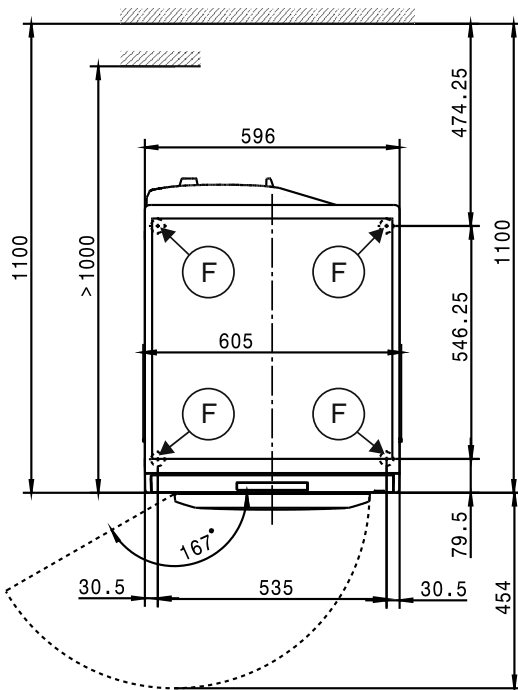
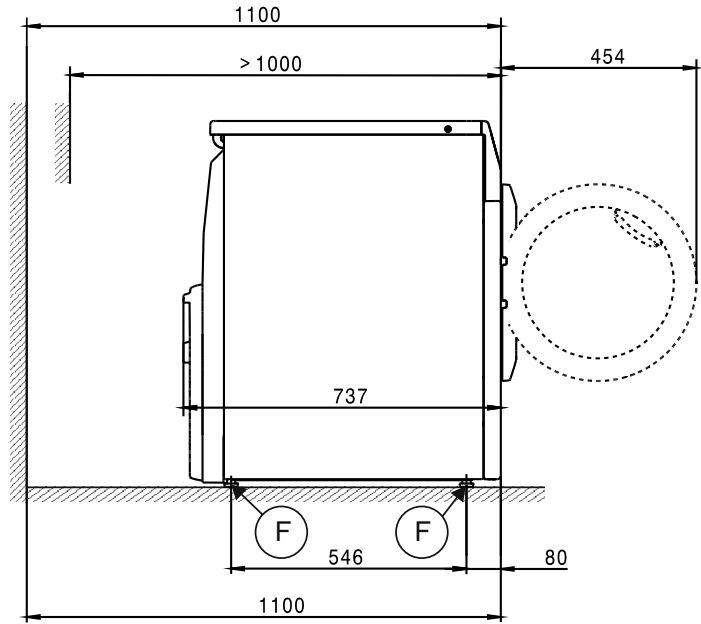
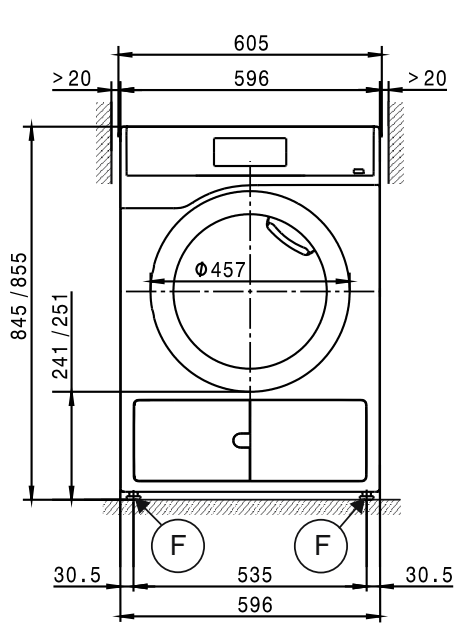
UO Open plinth

APCL Washer-dryer stacking kit

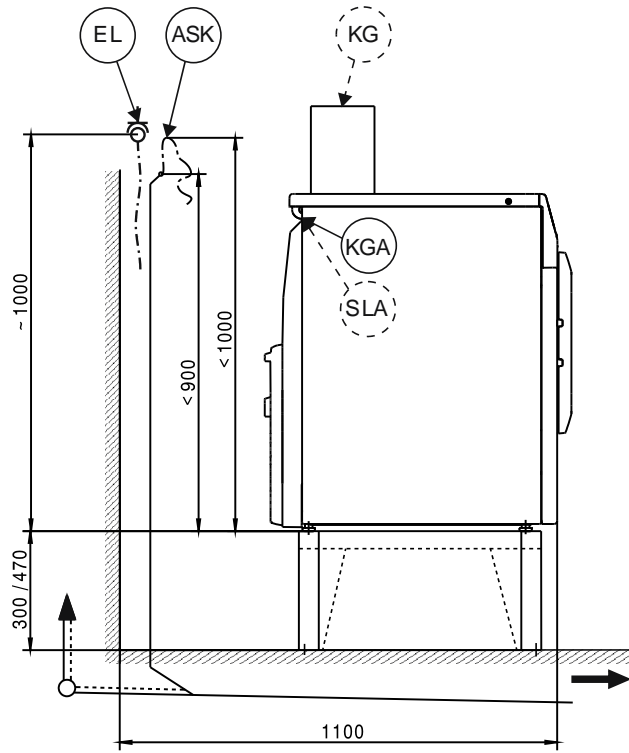
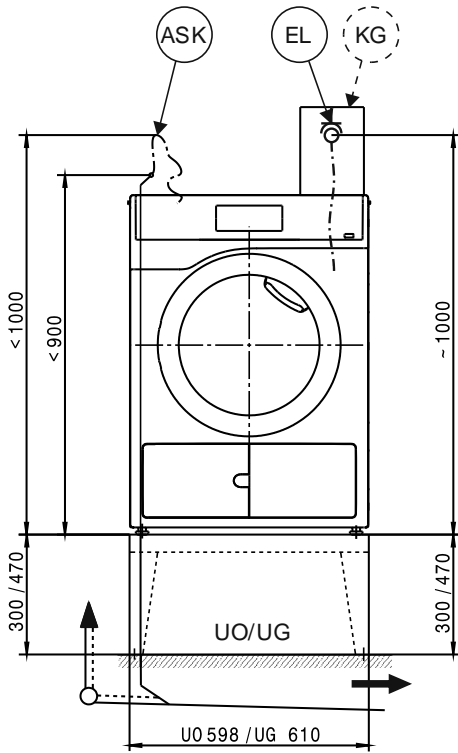
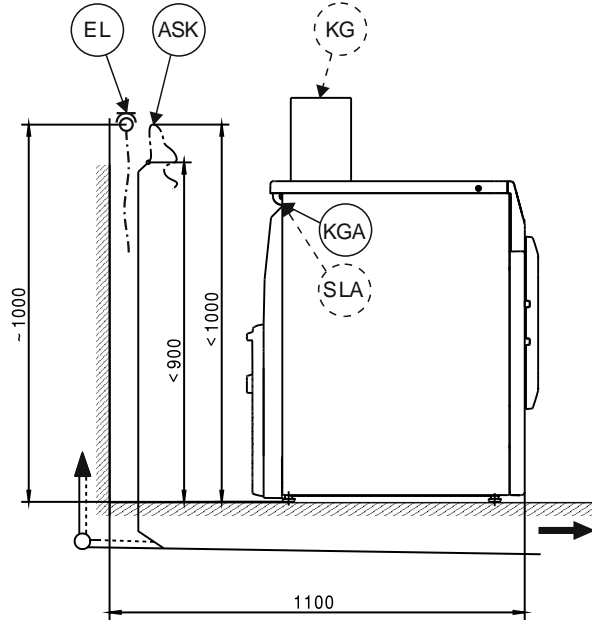
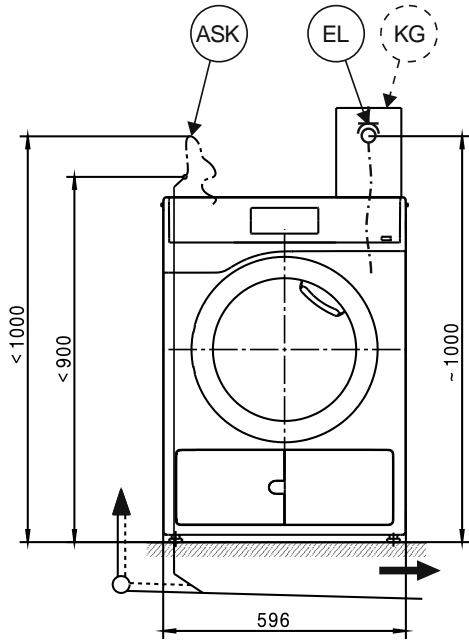
XKM Communication module

ZL Air intake

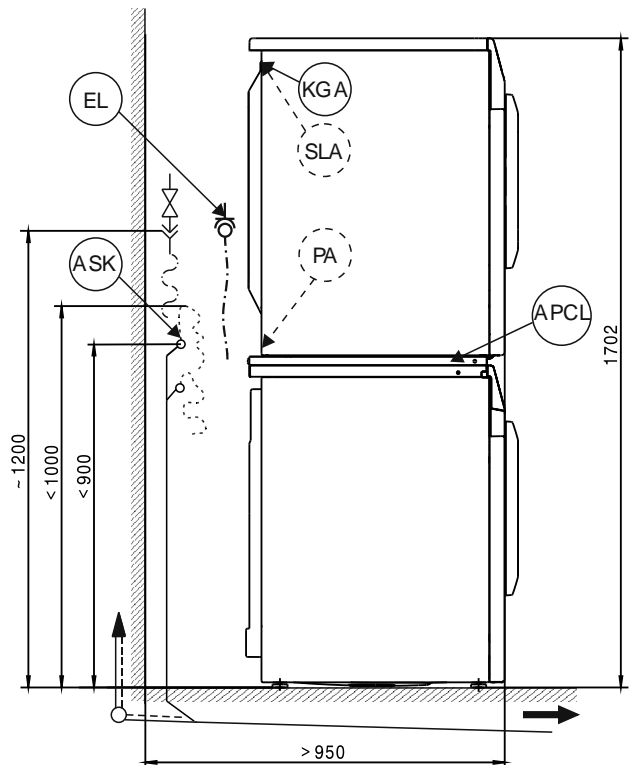
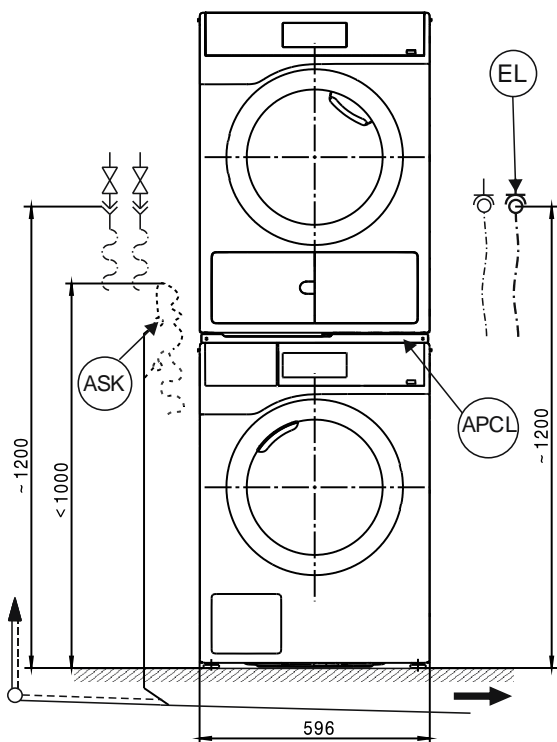
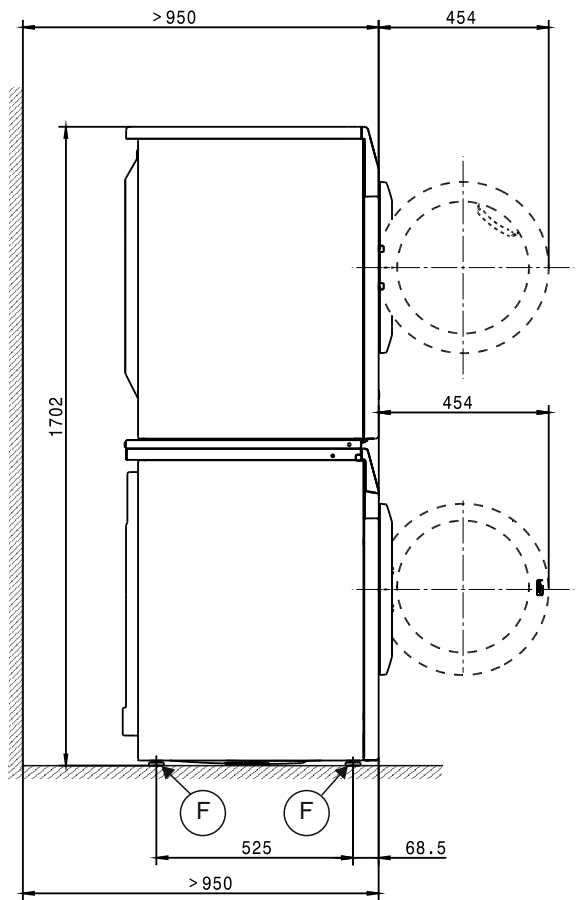
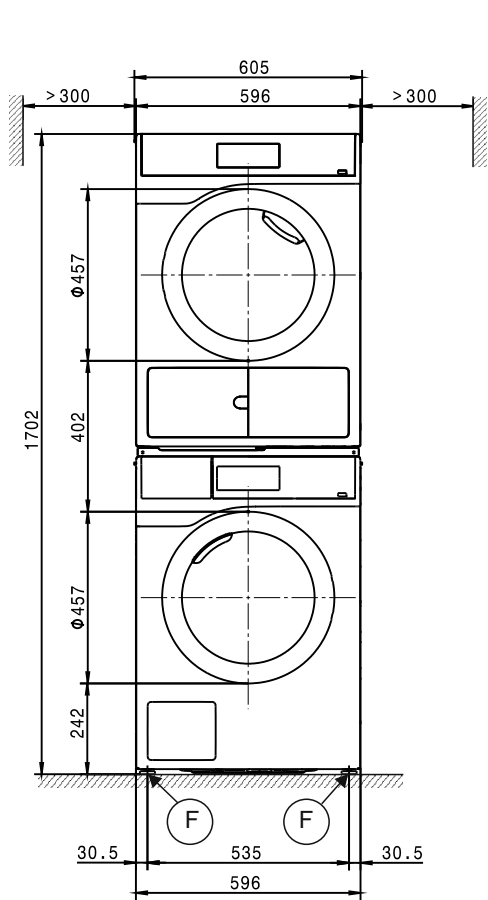
Machine dimensions



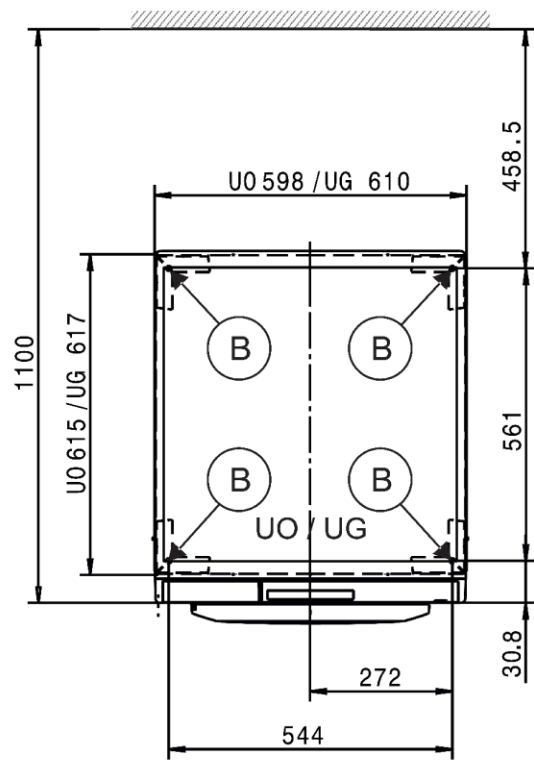
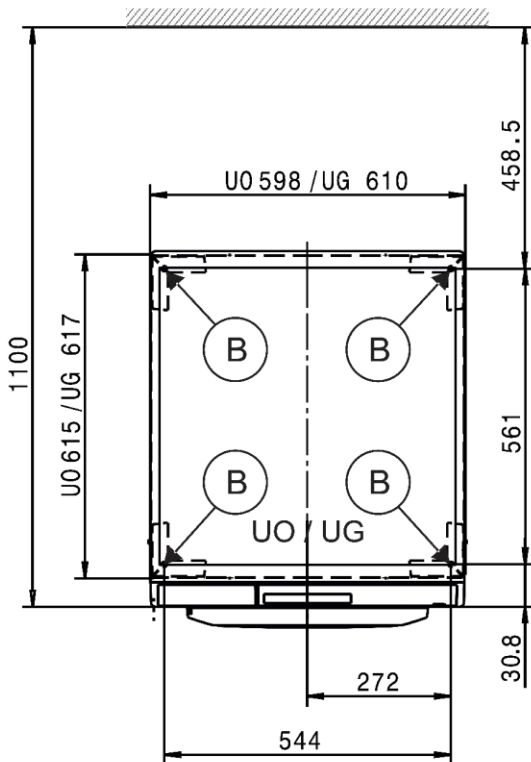
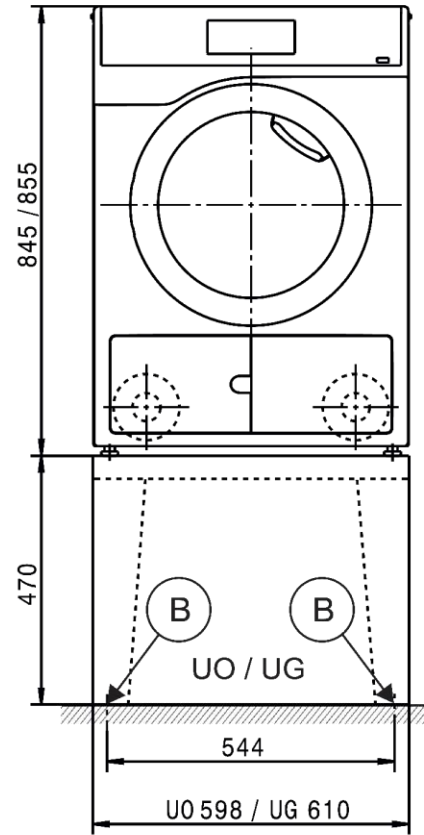
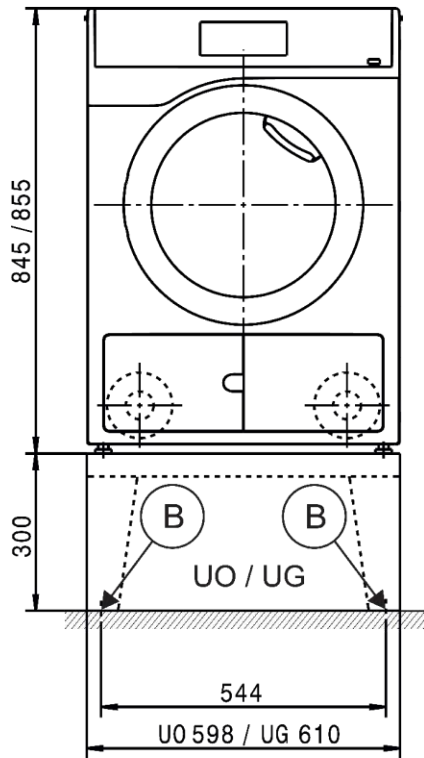
Installation



Installation



Installation



Technical data

		PDR 908 HP
Drying system		Heat pump
Drum volume	gal (l)	34.3 (130)
Capacity	lb (kg)	17.6 (8.0)
Door opening diameter	inch (mm)	14 9/16" (370)

Electrical connection (EL)

Standard voltage CND & USA		2 AC 208-240 V
Frequency	Hz	60
Total rated load	kW	1.2
Fuse rating	A	2 x 30
Wire min. cross-section		3 x AWG10
Wire with plug NEMA L6-30		●
Wire length	inch (mm)	82 3/4" (2,100)

Non-standard voltage MAR 208-240 (Marine)		2 AC 208-240 V
Frequency	Hz	60
Total rated load	kW	1.2
Fuse rating	A	2 x 30
Wire min. cross-section		3 x AWG10
Wire with plug NEMA L6-30		●
Wire length	inch (mm)	82 3/4" (2,100)

Condensate drain hose (ASK)

Max. drainage temperature	°F (°C)	158 (70)
Max. transient flow rate	gal/min (l/min)	0.95 (3.6)
On-site hose sleeve for drain hose	inch (mm)	10 x 30
Drain hose (internal diameter)	inch (mm)	3/8 (10) /DN 10
Length of drain hose	inch (mm)	59 1/16" (1,500)
Max. delivery head (from lower edge of machine)	inch (mm)	39 3/8" (1,000)

Potential equalization (PA)

Machine connection (separate kit required)		○
--	--	---

XCI box LG interface

		●
--	--	---

Peak load/Energy management (SLA)

Machine connection (with XCI box LG)		○
--------------------------------------	--	---

Payment system connection (KGA)

Connection of payment systems (with XCI box LG)		○
---	--	---

Communication module (XKM)

Communication module XKM 3200 WL PLT		○
--------------------------------------	--	---

Installation on machine feet (F)

No. of machine feet	No.	4
Machine foot, height-adjustable with thread	inch (mm)	± 3/16" (5)
Machine foot diameter	inch (mm)	1 1/4" (31.7)

● = standard, ○ = optional, + = only on request, - = not available

Technical data

PDR 908 HP

Anchoring (B)

Anchoring of Miele Plinths

Miele Plinth installation (fasteners included)		O
Required anchor points	No.	4
Wood screws according to DIN 571	inch (mm)	8 x 65
Rawl plugs (diameter x length)	inch (mm)	12 x 60

Plinth floor anchoring (to be provided on site)

Machine installation on on-site plinth (concrete or masonry)		O
Min. plinth installation footprint (W/D)	inch (mm)	23 5/8" / 25 9/16" (600/650)
Wood screws according to DIN 571	inch (mm)	6 x 50
Rawl plugs (diameter x length)	inch (mm)	8 x 40

Machine data

Overall machine dimensions (H/W/D)	inch (mm)	33 7/16" / 23 13/16" / 30 9/16" (850/605/777)
Casing dimensions (H/W/D)	inch (mm)	33 7/16" / 23 7/16" / 29" (850/596/737)

Site-access dimensions (H/W)

Min. site-access opening (excl. packaging)	inch (mm)	35 7/16" / 23 13/16" (900/605)
--	-----------	-----------------------------------

Installation dimensions

Min. side gap	inch (mm)	13/16" (20)
Recommended side gap – washer-dryer stack	inch (mm)	11 13/16" (300)
Min. distance to opposite wall from front of machine	inch (mm)	37 3/8" (950)
Recommended distance to opposite wall from front of machine	inch (mm)	43 5/16" (1,100)

Weights and floor loads

Machine weight (net weight)	lb (kg)	161 (73)
Max. floor load in operation	N	925

Emissions

Sound pressure level (in accordance with EN ISO 11204/11203)	dB(A)	< 70
Heat dissipation rate to installation site	W	37 3/8" (950)

Installation and planning notes

Installation requirements

The tumble dryer should only be connected to a power supply provided in accordance with all appropriate local and national legislation and regulations.

In addition, all regulations issued by the appropriate utilities as well as standards relating to occupational safety and all applicable valid regulations and technical standards must be observed.

General operating conditions

Ambient temperature in installation room: +35°F to +95 (+2°C to +35°C).

Air drawn in for use in the drying process will be warm when it is expelled back into the room. You must therefore ensure that the room is sufficiently ventilated, particularly if the dryer is located in a small room.

Make sure that the room temperature is not too high. If there are other heat-producing appliances in the room in which the dryer is located, make sure the room is well ventilated and switch the other appliances off, if possible.

Otherwise running times and energy consumption could be increased.

Electrical connection

This tumble dryer is supplied with a power cord and plug ready for connection.

The machine may only be connected to an electrical system that conforms to national and local codes and regulations.

The tumble dryer should never be connected by an extension cable, e.g., power strips, to avoid the risk of fire.

The data tag indicates the nominal power consumption and the appropriate fuse rating. Compare the specifications on the data tag with those of the electrical power supply.

If the machine is hard-wired, a dual circuit breaker must be provided on site. When switched off, there must be an all-pole contact gap of at least 3 mm in the isolator switch (including circuit breakers, breakers, and relays according to IEC/EN 60947).

The plug connector or isolator switch should be easily accessible at all times. If the machine is disconnected from the electricity supply, the isolator must be lockable or the point of disconnection must be monitored at all times.

New connections, modifications to the system, or servicing of the ground conductor, including determining the correct fuse rating, must be carried out by a qualified electrician, as they are familiar with the pertinent regulations and the specific requirements of the electric utility company.

References to cable cross-sections in the technical data refer only to the required power cord. Please consult relevant local and national regulations when calculating any other wire gauges.

Condensate drain hose

The condensed water is pumped away through the drain hose which is located at the back of the dryer.

The condensate is drained via a drain pump with a 3' 3 3/8" (1 m) delivery head. For the water to drain freely, the hose must be installed free of kinks. The swivel elbow at the end of the hose can be turned in either direction or removed as needed.

In certain situations, this tumble dryer must be equipped with a non-return valve (optional accessory). Without a non-return valve, water could flow back into the tumble dryer or be drawn back in and leak out. This can cause damage.

Drainage options:

1. **Direct connection to a plastic drain pipe with a rubber sleeve.**
Use a non-return valve if the end of the hose could possibly become submerged in water.
2. **Connected securely to a sink with a plastic nipple.**
Always use a non-return valve.
3. **Connected securely to a floor drain (gully).**
Always use a non-return valve.
4. **Directed into a sink or basin.**
Secure the drain hose carefully (e.g., by tying it) to make sure it cannot slip. Otherwise water may escape and cause damage. Use a non-return valve if the end of the hose could possibly become submerged in water.

Equipotential bonding and grounding

If necessary, an equipotential bond with good contact connection must be provided in accordance with all appropriate national and local regulations.

Connection material for equipotential bonding and grounding must be provided on site or using a kit available from Miele Technical Service.

Peak load/Energy management

The tumble dryer can be connected to a peak-load or energy-management system using an optional kit.

When the peak-load function is activated, the heating is deactivated. A message appears in the display to inform you of this.

Payment system

The tumble dryer can be equipped with a single-machine payment system as an optional accessory using an optional kit (XCI box).

The programming required for connecting a payment system can be carried out during the initial commissioning process. After initial commissioning, changes may only be carried out by your Miele dealer or Miele Technical Service.

Interface

The tumble dryer can be installed with an XKM 3200 WL PLT communication module.

This module can be used as a WiFi or LAN interface.

The LAN interface provided via the module complies with SELV (Safety Extra Low Voltage) in accordance with EN 60950. Connected appliances must also comply with SELV. The LAN connection uses a RJ45 connector in accordance with EIA/TIA 568-B.

Installation and anchoring

The machine must be installed on a perfectly smooth, level, and firm surface which is able to withstand the quoted loads.

The floor load created by the machine is concentrated and transferred to the installation footprint via the machine feet.

The tumble dryer should be leveled in both directions with the aid of the adjustable feet.

Plinth installation

The tumble dryer can be installed on a machine plinth (open or box plinth, available as an optional Miele accessory) or on a concrete plinth to be provided on site.

The quality of the concrete and its strength must be assessed according to the machine load. Ensure that any raised concrete plinth is adequately bonded to the floor below.

Washer-dryer stack

The tumble dryer can be installed as a washer-dryer stack together with a Miele Washing Machine. A stacking kit (optional accessory) is required for this.

Installation of the stacking kit should be performed by Miele Technical Service or an authorized Miele service technician.