



# FREE STANDING SAFETY SHIELD INSTALLATION INSTRUCTIONS

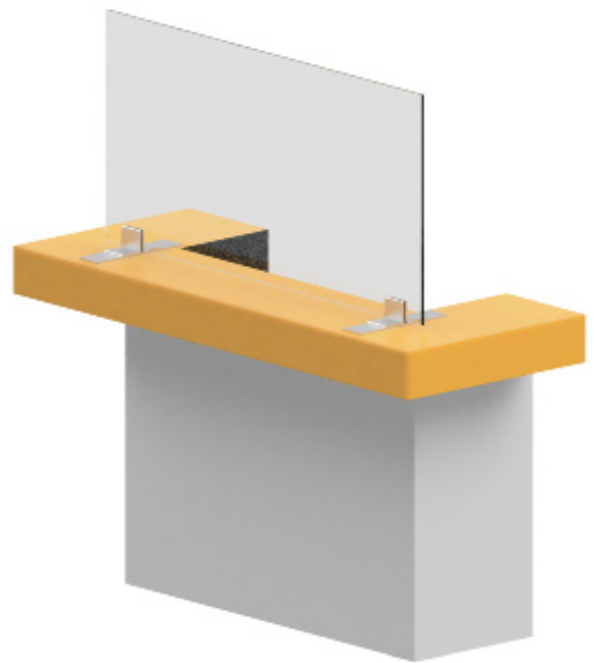
## FREE STANDING SAFETY SHIELD

The Freestanding Countertop Safety Shield is easy to assemble with minimal hardware required. The shield is not permanently mounted to the surface, is movable and offers portable protection without the need for permanent installation or attachment. The gap below the infill allows small items to be passed beneath, and is ideal for a variety of environments including offices, desks, and reception counters.

## FREE STANDING SAFETY SHIELD KIT



**MOUNTING BASE x2**  
**PART #: S54-3000**



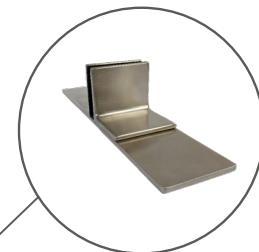
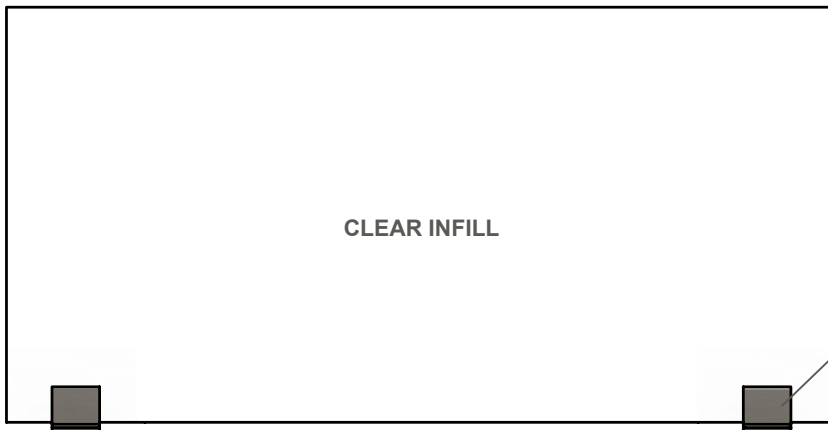
### ADDITIONAL INCLUDED ACCESSORIES:



**GLAZING GASKETS**  
For 1/4" and 3/8" Infill



**DOUBLE SIDED TAPE**



**MOUNTING BASE**

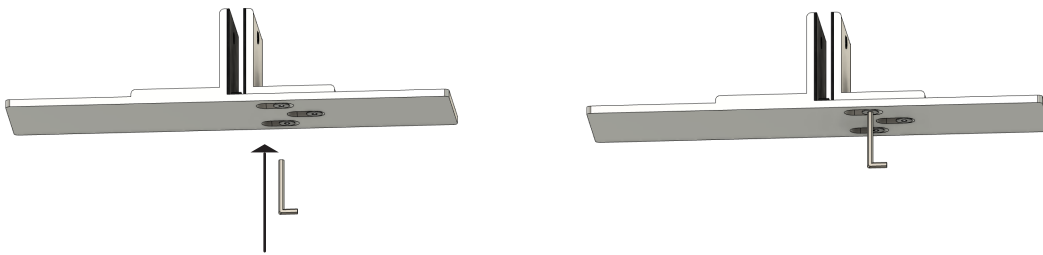


## INSTALLATION

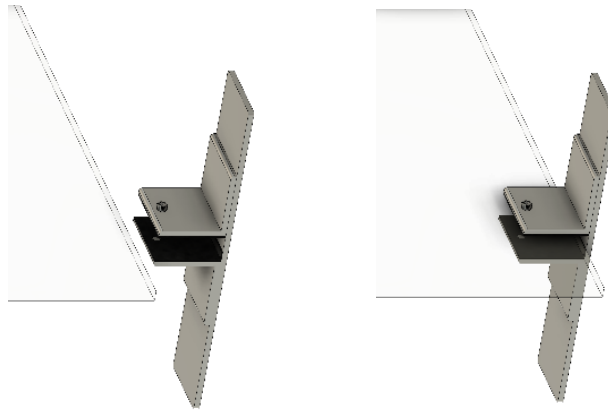
The following information will help you streamline set-up and installation.

**1** Place the glass or acrylic panel on a flat table edge.

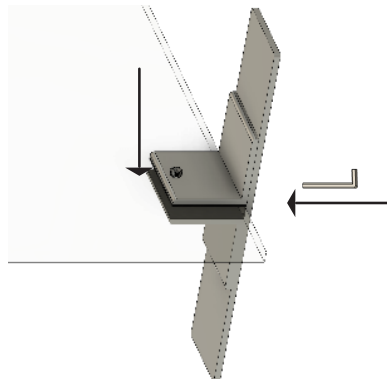
**2** Loosen the (3) 4mm allen screws on the bottom of the brackets.



**3** Slide brackets into position with the provided glazing gaskets in place.

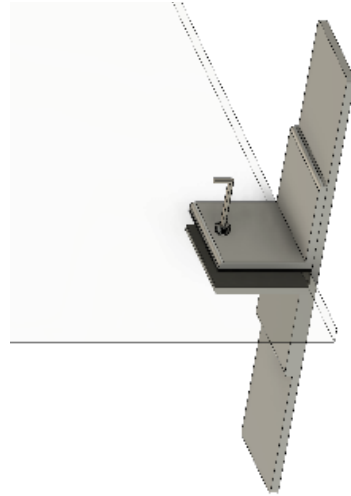


**4** Hand press the glass brackets snug tight together on the panel and tighten the (3) 4mm allen screws on the adjustable mounting plate.

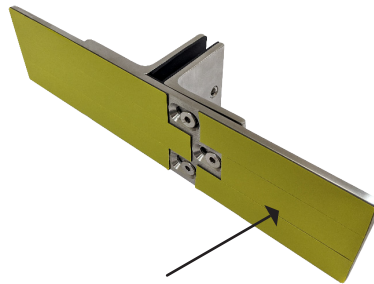




- 5 Tighten the (1) 5mm allen set screw on the vertical flange.

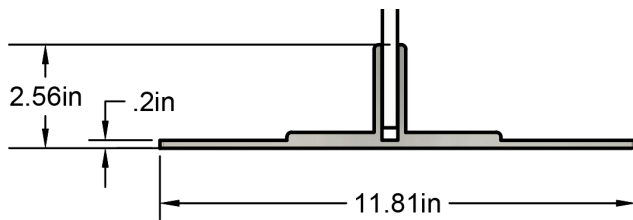


- 6 OPTIONAL: Secure to counter by peeling the strip off the double sided tape and set firmly in place.

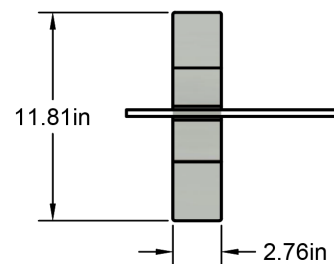


BRACKET DIMENSIONS

SIDE VIEW



TOP VIEW



For additional support call 800.325.7513 or visit our website [www.morseindustries.com](http://www.morseindustries.com)



**Northwest Distribution Facility**  
Morse Industries Headquarters  
25811 74th Avenue South  
Kent, WA 98032

**Southwest Distribution Facility**  
Morse Industries  
3080 Enterprise Avenue, Suite A  
Brea, CA 92821

**Central U.S. Distribution Facility**  
Morse Industries  
4041 N. Santa Fe Ave.  
Oklahoma City, OK 73118

**Mid-Atlantic Distribution Facility**  
Morse Industries  
1630 Old Dunbar Road  
West Columbia, SC 29172