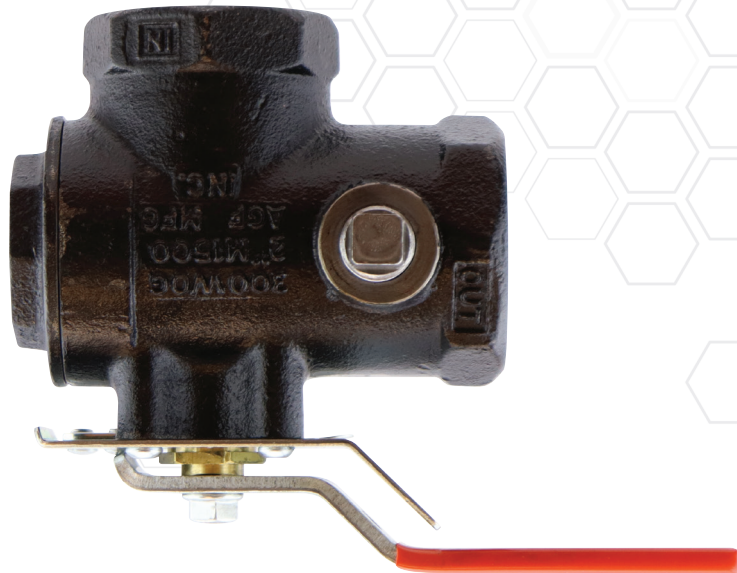


# DRAIN<sub>AN</sub>TEST<sup>®</sup>

## Model 1500

QUALITY COMPONENTS FOR FIRE SPRINKLER SYSTEMS



### Main Drain and Test Valve

The AGF DRAIN<sub>AN</sub>TEST Model 1500 is a 2", single-handle main drain and test valve that is designed for testing devices attached to the alarm check valve on wet fire sprinkler systems. The Model 1500 can be ordered with a 175 PSI rated pressure relief valve (other ratings available) and drain trim as a DRAIN<sub>AN</sub>TEST Model 1511.

DRAIN<sub>AN</sub>TEST valves are cast iron and rated at 300 PSI, feature a tamper-resistant test orifice, BSPP inlet and outlet ports (NPT available on special order), and offer a full range of orifice sizes (2.8K—25.2K). All valves are field-serviceable (repair kits sold separately), and offer locking kits for added security.

### Features

- 2" BSPP Inlet and Outlet (NPT Available)
- Iron Body Construction
- Orifice Options (2.8K—25.2K)
- Tamper-Resistant Test Orifice
- 300 PSI Rated
- Optional Pressure Relief Kit (#262)
- Horizontal or Vertical Installation
- Field Serviceable
- Repair Kits Available
- Locking Kits Available

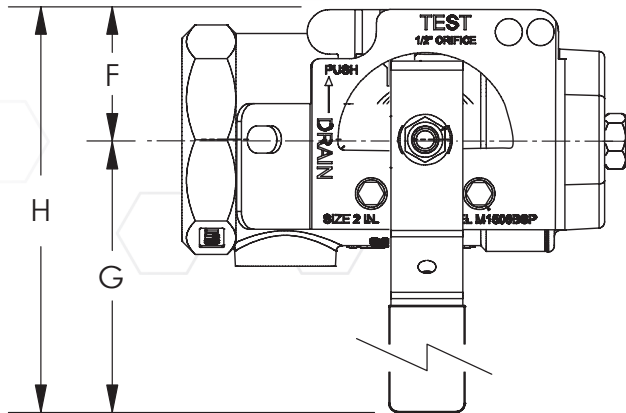
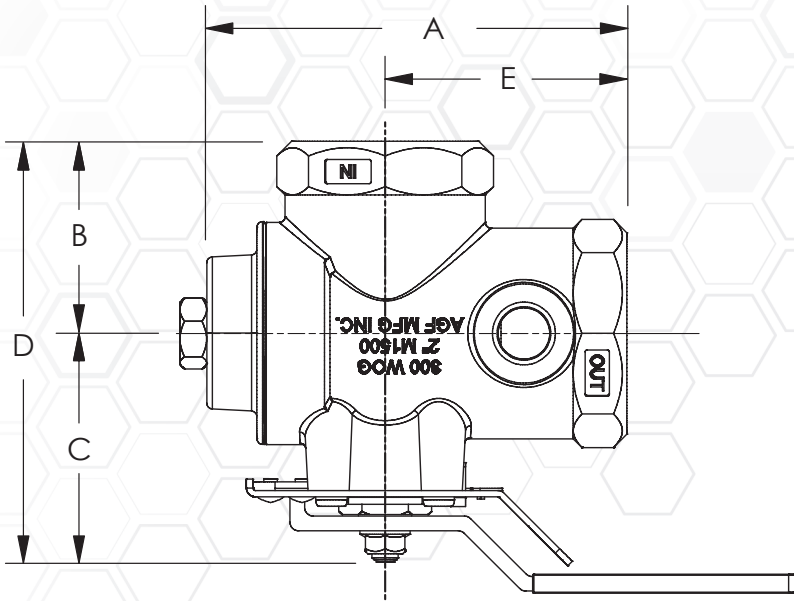
### Models

Model Part Numbers			
Orifice Size		1500	1511
K-Factor	Fractional		
2.8	3/8"	290	290 w/ #262
4.2	7/16"	291	291 w/ #262
5.6	1/2"	292	292 w/ #262
8.0	17/32"	293	293 w/ #262
11.2 (ELO)	5/8"	294	294 w/ #262
14.0 (ESFR)	3/4"	295	295 w/ #262
25.2	-	296	296 w/ #262

Most Popular Models



**Dimensions**



Size	A	B	C	D	E	F	G	H
2"	5 5/8" (143 mm)	2 5/8" (67 mm)	3 1/4" (83 mm)	5 7/8" (149 mm)	3 1/2" (89 mm)	1 1/2" (38 mm)	6" (152 mm)	7 1/2" (191 mm)

Sizes have been rounded to the highest millimeter

**NOTE:** UL and FM standards for sprinkler system pressure relief valves require relief valves to operate within a range of their ratings. FM requires a relief valve to OPEN at a pressure no less than 85% of their rating and UL requires OPENING at a pressure no greater than 105% of their rating. Both standards require the relief valves to CLOSE within a percentage below OPEN. Choose the relief valve comparing static pressure to 90% of the relief valve's rating to determine the estimated minimum OPENING and 80% of the relief valve's rating for approximate maximum CLOSING. The relief valve should be installed where it is easily accessible for maintenance. Care should be taken that the relief valve CANNOT be isolated from the system when the system is operational. A relief valve should NEVER have a shutoff valve or a plug downstream of its outlet.

USA Patent and Other Patents Pending

For use on wet fire sprinkler systems.

**Valve Sizes**

2"

**Orifice Options**

2.8K, 4.2K, 5.6K, 8.0K, 11.2K (ELO), 14.0K (ESFR), and 25.2K

**Connections**

Inlet..... BSPP  
 Outlet..... BSPP

**Installation Orientation**

Horizontal  
 Vertical

**Electrical Requirements**

None

**Materials**

Handle ..... Steel  
 Stem ..... Rod Brass  
 Ball..... C.P. Brass  
 Body ..... Iron  
 Valve Seat..... Impregnated Teflon®  
 Indicator Plate ..... Steel  
 Handle Lock ..... Spring Steel

**Rating**

300 PSI

**Approvals**

UL/ULC (EX4019 & EX4533)  
 FM



**AGF Manufacturing Inc.**  
 100 Quaker Lane, Malvern, PA 19355  
 Phone: 610-240-4900  
 Fax: 610-240-4906  
**www.agfmfg.com**

**Job Name:** \_\_\_\_\_  
**Architect:** \_\_\_\_\_  
**Engineer:** \_\_\_\_\_  
**Contractor:** \_\_\_\_\_