

PURGE_NVENT™

Model 7930ECA

QUALITY COMPONENTS FOR FIRE SPRINKLER SYSTEMS

Automatic Air Venting Valve with Pipe End Cap

The AGF PURGE_NVENT Model 7930MAV Automatic Air Venting Valve is designed to remove excess air from wet pipe fire sprinkler systems to help mitigate internal pipe corrosion. NFPA 13 standard requires the addition of an air vent on all wet pipe fire sprinkler systems that utilize metallic pipe.

The PURGE_NVENT Model 7930MAV features a FM approved and UL listed 7900V automatic air vent that releases excess air while the system is in operation. It also includes a pipe end cap, isolation valve, strainer, and purge valve with union and hose connection. The purge valve helps remove air from the system faster when filling, helps flush and clean the valve, and can be used as a vacuum break when draining the system. When being used as a vacuum break it helps drain the system faster and protects gaskets from being dislodged on other system components. AGF recommends installing the valve at the end of system branch lines.

Features

- NFPA Compliant
- FM Approved and UL Listed 7900V Air Vent
- 175 PSI Rated
- Isolation Valve
- Internal Strainer
- Purge Valve with Union and Hose Connection
- System Drain Vacuum Break
- Pipe End Cap for Easy Installation

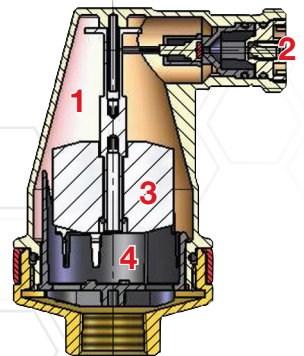
Models

Part Numbers					
2"	2½"	3"	4"	6"	8"
7930ECA-20	7930ECA-25	7930ECA-30	7930ECA-40	7930ECA-60	7930ECA-80



7900V Air Vent Advantages

1. Conical shape maximizes clearance and protects the venting valve from contamination.
2. Recessed venting valve prevents vent redundancy and protects it from damage.
3. Single float allows only vertical movement.
4. Bubble breaker acts as a secondary filter and maximizes air passage.



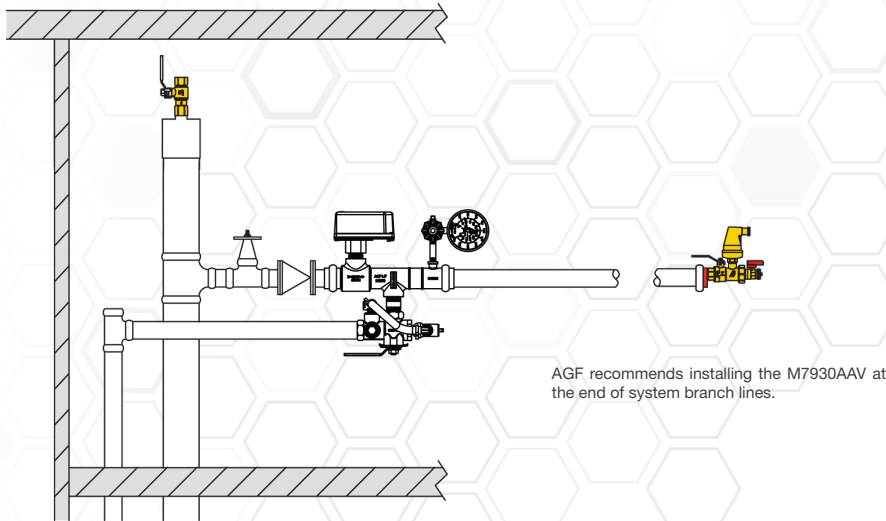
7610-2281 : 0500



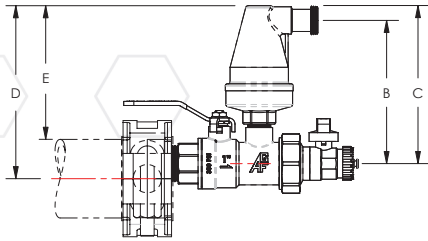
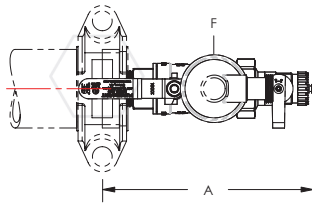
WWW.AGFMFG.COM

TDS-7930ECA · 6/24

Installation



Dimensions



Size	A	B	C	D	E	F
2"	7 ³ / ₄ " (196 mm)	5 ¹ / ₄ " (133 mm)	5 ³ / ₄ " (147 mm)	6 ¹ / ₈ " (155 mm)	4 ⁷ / ₈ " (124 mm)	ø2 ¹ / ₂ " (63 mm)
2 ¹ / ₂ "	7 ³ / ₄ " (196 mm)	5 ¹ / ₄ " (133 mm)	5 ³ / ₄ " (147 mm)	6 ⁵ / ₈ " (161 mm)	4 ⁷ / ₈ " (124 mm)	ø2 ¹ / ₂ " (63 mm)
3"	7 ³ / ₄ " (196 mm)	5 ¹ / ₄ " (133 mm)	5 ³ / ₄ " (147 mm)	6 ⁵ / ₈ " (168 mm)	4 ⁷ / ₈ " (124 mm)	ø2 ¹ / ₂ " (63 mm)
4"	7 ³ / ₄ " (196 mm)	5 ¹ / ₄ " (133 mm)	5 ³ / ₄ " (147 mm)	7 ¹ / ₈ " (181 mm)	4 ⁷ / ₈ " (124 mm)	ø2 ¹ / ₂ " (63 mm)
6"	7 ³ / ₄ " (196 mm)	5 ¹ / ₄ " (133 mm)	5 ³ / ₄ " (147 mm)	8 ¹ / ₈ " (207 mm)	4 ⁷ / ₈ " (124 mm)	ø2 ¹ / ₂ " (63 mm)
8"	7 ³ / ₄ " (196 mm)	5 ¹ / ₄ " (133 mm)	5 ³ / ₄ " (147 mm)	9" (230 mm)	4 ³ / ₄ " (120 mm)	ø2 ¹ / ₂ " (63 mm)

Sizes have been rounded to the highest millimeter

USA Patent #10391344 and Other Patents Pending

For use on wet fire sprinkler systems.

Valve Size

1"

End Cap Sizes

2", 2¹/₂", 3", 4", 6", and 8"

Connections

Isolation Valve Inlet..... 1" NPT

Purge Valve Outlet..... Hose

7900V Vent Outlet..... 3/4" NPT

Installation Orientation

Horizontal with 7900V in Upright Position

Electrical Requirements

None

Materials

Handle Steel

Stem Rod Brass

Ball..... C.P. Brass

Body Brass

Valve Seat..... PTFE

Strainer Stainless Steel

7900V Bronze

End Cap..... Steel

Rating

175 PSI

Compliance

NFPA 13, 13D, & 13R

NYC-BSA No. 720-87-SM

Approvals

7900V: UL/ULC (EX27596)

7900V: FM



7610-2281 : 0500



AGF Manufacturing Inc.
100 Quaker Lane, Malvern, PA 19355

Phone: 610-240-4900
techsupport@agfmfg.com

www.agfmfg.com

Job Name: _____

Architect: _____

Engineer: _____

Contractor: _____