

Product and Company Identification

Product Name: **DF Series**
 Manufacturer's Name: **Prospec Specialties Inc.**
 Suite 400, 3601, Highway 7,
 Markham ON, L3R 0M3, Canada
 Emergency #: (888) 749-8456
 Date Prepared: October, 2018

Table 1: System Details

Application	Code	JO	SH	SW	BO	WH	± Movement (%)			Load (Ton)
							Horizontal	Vertical	Shear	
Straight (S)	DFS 01	25	38	117	83	*	50	25	Excellent	3
	DFS 02	51	38	140	83	*	50	25	Excellent	3
	DFS 03	76	38	197	102	*	50	25	Excellent	3
	DFS 04	102	38	222	102	*	50	25	Excellent	3
	DFS 06	152	38	342	133	*	50	25	Excellent	3
	DFS 08	203	38	457	165	*	50	25	Excellent	3
Corner (C)	DFC 01	25	38	70	83	50	25	25	Excellent	3
	DFC 02	51	38	95	83	50	25	25	Excellent	3
	DFC 03	76	38	137	102	50	25	25	Excellent	3
	DFC 04	102	38	162	102	50	25	25	Excellent	3
	DFC 06	152	38	248	133	50	25	25	Excellent	3
DFC 08	203	38	331	165	50	25	25	Excellent	3	

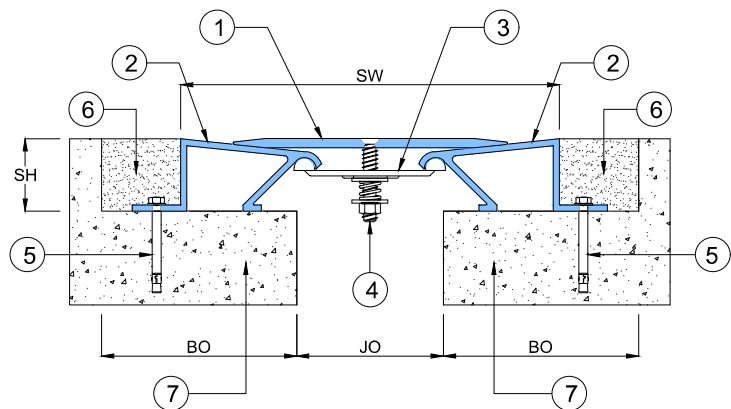
JO = Joint Opening
WH = Wall Height

SH = System Height

SW = Sight Width

Key to System Features (Straight Application)

1. Continuous Aluminum Center Plate, Grade 6063-T6
2. Continuous Aluminum Recessed frame, Grade 6063-T6
3. Steel Centering Bar
4. Compression Spring Assembly
5. Hex Head Concrete Anchor
6. Back fill (by others)
7. Concrete Slab (by others)



Key to System Features (Corner Application)

1. Continuous Aluminum Half Plate,
Grade 6063-T6
2. Continuous Aluminum Recessed Frame,
Grade 6063-T6
3. Continuous Aluminum Flush Wall Frame,
Grade 6063 - T6
4. Hex Head Concrete Anchor
5. Flat Head Concrete Screw
6. Back fill (by others)
7. Concrete Slab (by others)
8. Concrete Wall (by others)

