

**Product and Company Identification**

Product Name: **EK Series**  
 Manufacturer's Name: **Prospec Specialties Inc.**  
 Suite 400, 3601, Highway 7,  
 Markham ON, L3R 0M3, Canada  
 Emergency #: (888) 749-8456

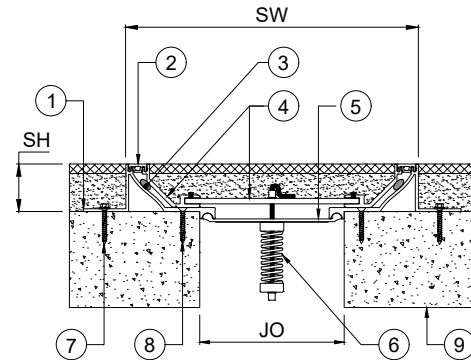
**Table: System Details**

Application	Code	JO	SH	SW	± Movement (%)			Load (Ton)
		Millimeter			Horizontal	Vertical	Shear	
Straight (S)	EKS 04	102	50	258	100	25	Excellent	1
	EKS 06	152	50	309	100	25	Excellent	1
	EKS 08	203	50	360	100	25	Excellent	1
	EKS 10	254	50	411	100	25	Excellent	1
Corner (C)	EKC 04	102	50	180	100	25	Excellent	1
	EKC 06	152	50	231	100	25	Excellent	1
	EKC 08	203	50	281	100	25	Excellent	1
	EKC 10	254	50	332	100	25	Excellent	1

**JO** = Joint Opening      **SH** = System Height      **SW** = Sight Width

**Key to System Features**

1. Continuous Aluminum Recessed Frame, grade 6063-T6
2. Continuous Santoprene Seal
3. Backer Rod (By others)
4. Continuous Aluminum Recessed Pan Assembly, Grade 6063-T6 (*Straight*)
5. Steel Centering Bar
6. Compression Spring Assembly
7. Hex Washer Head Concrete Screw (by others)
8. Flat Head Concrete Screw (by others)
9. Concrete Slab (by others)



**Key to System Features (Corner Application)**

1. Continuous Aluminum Recessed Frame, grade 6063-T6
2. Continuous Santoprene Seal
3. Backer Rod (By others)
4. Continuous Aluminum Recessed Pan Assembly, Grade 6063-T6 (*Corner*)
5. Continuous Aluminum Variable Frame, Grade 6063-T6
6. Sealant (by others)
7. Hex Washer Head Concrete Screw (by others)
8. Flat Head Concrete Screw (by others)
9. Concrete Slab (by others)
10. Concrete Wall (by others)

