

Product and Company Identification

Product Name: **GH Series**
 Manufacturer's Name: **Prospec Specialties Inc.**
 Suite 400, 3601, Highway 7,
 Markham ON, L3R 0M3, Canada
 Emergency #: (888) 749-8456
 Date Prepared: June, 2013

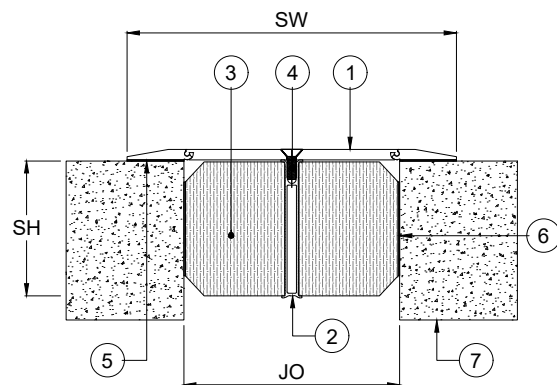
Table 1: System Details

Application	Code	JO	SH	SW	WH	± Movement (%)			Load
		Millimeter				Hor.	Ver.	Shear	
Straight (S)	GHS 10	254	129	381	*	50	40	Excellent	Vehicular
	GHS 12	305	129	457	*	50	33	Excellent	Vehicular
	GHS 16	406	129	610	*	50	25	Excellent	Vehicular
	GHS 20	508	129	762	*	50	20	Excellent	Vehicular
Corner (C)	GHC 10	254	129	318	100	25	*	Excellent	Vehicular
	GHC 12	305	129	381	120	25	*	Excellent	Vehicular
	GHC 16	406	129	508	120	25	*	Excellent	Vehicular
	GHC 20	508	129	635	120	25	*	Excellent	Vehicular

JO = Joint Opening **SH** = System Height **SW** = Sight Width **WH** = Wall Height

Key to System Features (Straight Application)

1. Continuous sand-blasted center Plate of aluminum, grade 6061-T6
2. Continuous stiffing rod of aluminum, Grade 6061-T6
3. Closed cell, cross linked, heavy duty Water tight foam cell
4. Self-tapping stainless-steel screw
5. Micro sealant tape
6. Concrete epoxy adhesive
7. Concrete slab



Key to System Features (Corner Application)

1. Continuous sand-blasted corner plate
Aluminum, grade 6061-T6
2. Continuous stiffing rod of aluminum,
Grade 6061-T6
3. Closed cell, cross linked, heavy duty
Water tight foam cell
4. Self- tapping stainless-steel screw
5. Micro sealant tape
6. Concreive epoxy adhesive
7. Flat head, countersunk screw
(by others)
8. Concrete slab (by others)
9. Concrete wall (by others)

