



CUSTOM FABRICATED SIDE WASTE OUTLET PROLINE DRAIN BODY TECHNICAL SPECIFICATION

Job Name _____	Item # _____
Location _____	
Engineer _____	Contractor _____
PO # _____	Tag _____
Representative _____	

DESCRIPTION

- 18 Gauge 316L Stainless Steel.
- Used for above-floor waste plumbing installation.
- Drain body can be any size from 10" to 100".
- Internally pitched channel drain body. No water will be sitting in trough after each use.
- 34" maximum horizontal distance for pitched channel. (from edge of trough to center of waste outlet)
- 2" I.D. schedule 10 steel down spout waste outlet.
- Waste outlets can be placed at virtually any location.
- Height adjustable cover for thickness of finish from .5" to 2.5".

INSTALLATION NOTES

- Install product according to the Typical Proline Drain Installation details.
- Drain body cannot be cut to size or modified.
- Cover can be oversized up to 10" longer than trough.
- Cover can be cut on site.
- When used at the entry to a curbless shower as a primary shower drain, the capacity of the drain is 5gpm.
- QuickDrain recommends the cover extend the entire length of shower pan. (wall to wall or wall to curb)

ORDERING

- A signed QuickDrain shop drawing and purchase order are required to start fabrication on all custom drains.
- Cover style must be specified.

CODES/STANDARDS APPLICABLE

- CSA B125.2-2005
- PMG 1042 Listing
- CUPC 6181 Listing

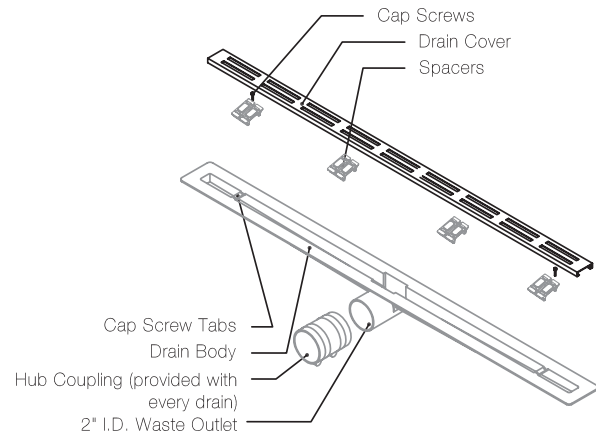
REQUIRED PARTS

- Cover
- Spacers

RECOMMENDED PARTS

- Leveling Brackets or Placement Brackets
- Quick Slope
- Sealant
- Outside Corners
- Curb Covers
- Inside Corners

PROLINE DRAIN ASSEMBLY



SIDE WASTE OUTLET DRAIN BODY DIMENSIONS

