

# FULL LINE OF RADIATION SHIELDING PRODUCTS

Radiation Protection Products (RPP) manufactures and distributes a full line of radiation shielding products. They include Lead Lined Doors (solid core wood, lead lined, and steel strapped), Lead Lined Drywall (otherwise known as Lead Lined Sheetrock or Lead Lined Gypsum Wallboard) and Lead Lined Plywood, Leaded X-ray Glass and Acrylic, Lead Lined Frames for borrowed lites and doors, pass boxes and many other lead products.

Radiation Protection Products uses only the finest quality material and exercises the best quality control possible.

We offer a top quality line of lead shielding products at a competitive price with delivery to satisfy your needs. For additional information concerning RPP's products or services, please contact us toll free at:

**888-746-4777 PHONE**  
**866-554-8445 FAX**

## ALL SHIELDING PRODUCTS PROVIDED MEET THE FOLLOWING SPECIFICATIONS:

### Sheet Lead

Sheet Lead shall meet or exceed the Federal Specification QQL-201 F Grade C and ASTM B749-03 Standard Specification for Lead and Lead Alloy Strip, Sheet and Plate Products, see NCRP reports #33, #35 and #49.

### Gypsum Board

Gypsum Board shall meet or exceed ASTM C36 A82.27, USDA SSL 30D Type III Grade X.

### Lead Glass

Lead Glass shall meet or exceed Federal Specification DD-G-451.

Radiation Protection Products manufactures all lead shielding products in accordance with Lead Industries Hand Book and all NCRP Applicable Reports (#33, #35, #39, #40, and #49) and NBS, HB. #114.

### Cassette Transfer Cabinets

Cassette Transfer Cabinets shall meet or exceed MIL-C-3673 (DM).

### Wood and Plastic Laminate Doors

All Wood Doors shall meet or exceed the ANSI/NWMA Industry Standard I.S.I.-80, I.S.I.4-80, NCRP Report #49.

### Hollow Metal Doors

Hollow Metal Doors meet or exceed the following: ASTM A526 (Galvanneal), ASTM A366 (Cold Rolled Steel), HMMA 861-00 For Commercial Hollow Metal Doors and Frames, SDI-100, Grade II, Heavy Duty Model 3, Seamless Hollow Metal Construction.

## TERMS AND CONDITIONS OF SALES

### Prices in U.S. Dollars

Prices are in U.S. dollars, F.O.B. factory, Chapel Hill, Tennessee, unless otherwise specified. Prices, specifications, and terms of sales are subject to change without notice. All orders are subject to review prior to acceptance.

### Terms

Net 30 days on established accounts with approved credit. Visa/MasterCard.

### Credit

New accounts, pending credit approval, may be immediately expedited by enclosing a check, wire transfer or credit card. To facilitate opening of accounts, please forward your bank and four (4) trade references. Tax-exempt or Resale Certificate required if applicable.

### Minimum

Minimum invoice of \$500.00. Orders under \$500.00 may require payment by Visa or MasterCard.

### Ordering/Purchasing

Your purchase order or contract is requested on all orders. All orders should be confirmed and clearly marked "Confirmation—Do Not Duplicate."

### Shipment

Unless detailed shipping instructions are specified on all orders, we reserve the right to choose the method of transportation and to make partial shipments, if necessary.

### Packaging/Set Up Charge

Special packaging quoted as extra. Set up charges may be applicable with certain fabrications.

### Returns

Return merchandise will be accepted only with prior written authorization. Freight charges must be prepaid.



1000 Superior Boulevard, Suite 310 • Wayzata, MN 55391  
**1.888.RINGRPP** (1.888.746.4777) • TOLL FREE FAX: 1.866.554.8445  
www.radiationproducts.com

servicing the nation's lead needs for over 50 years with a full line of radiation shielding products

# RADIATION SHIELDING

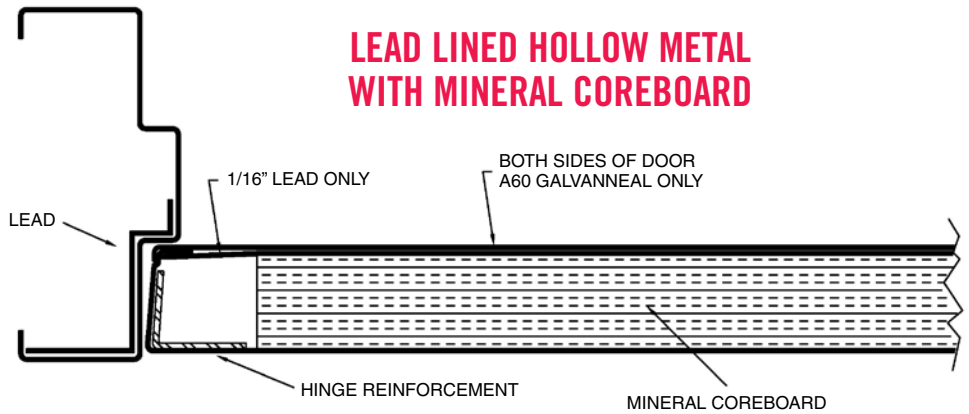
## LEAD LINED HOLLOW METAL DOORS

All our Hollow Metal Lead Lined Doors are manufactured with A60 galvanneal steel or cold rolled steel in 14 gauge or 16 gauge. Our Hollow Metal Lead Lined Doors can be filled with mineral coreboard or they can be vertically steel stiffened. The edges of our doors are continuously seam welded, ground and filled to ensure a smooth finish.

The top and bottom of the doors are reinforced with continuous steel channels, spot welded to both sides of the door. All doors come with 11 gauge steel angles, 12" long for hinge reinforcement. All doors can be fit with a door lite kit and leaded glass. UL labels available upon request.

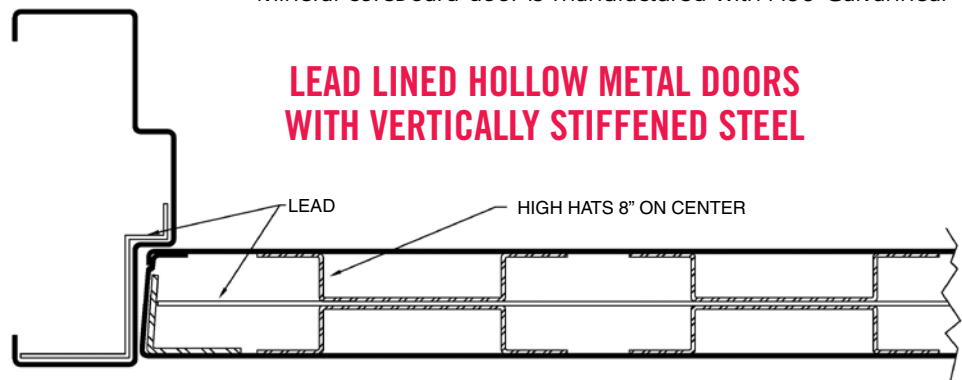
### Doors meet or exceed the following:

- ASTM A526 (Galvanneal)
- ASTM A366 (Cold Rolled Steel)
- HMMA 861-00 For Commercial Hollow Metal Doors and Frames
- SDI-100, Grade II, Heavy Duty Model 3, Seamless Hollow Metal Construction



### LEAD LINED HOLLOW METAL WITH MINERAL COREBOARD

- Coreboard is adhered to the steel
- Lead lining is adhered to the coreboard
- Mineral coreboard door is manufactured with A60 Galvanneal

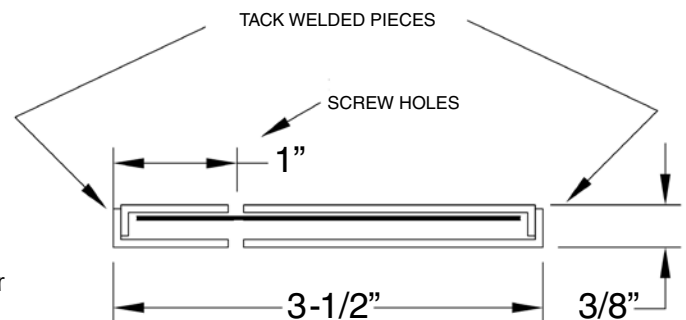


### LEAD LINED HOLLOW METAL DOORS WITH VERTICALLY STIFFENED STEEL

- High hats 8" on center welded to pan and cover
- Steel stiffened doors are manufactured with cold rolled steel

### FOR DOUBLE DOORS WE MANUFACTURE A LEAD LINED ASTRAGAL

- Astragal is the same material as doors
- Lead thickness will be same as door
- Ends will be capped
- Shipped with holes for mounting screws



1000 Superior Boulevard, Suite 310 • Wayzata, MN 55391  
**1.888.RINGRPP** (1.888.746.4777) • TOLL FREE FAX: 1.866.554.8445  
[www.radiationproducts.com](http://www.radiationproducts.com)

servicing the nation's lead needs for over 50 years with a full line of radiation shielding products