

The popular 275 model is both functional and economical. It features a fixed panel and an operable panel for high visibility. Operating system is located in the header to keep the service area clear with a track free sill. Customizable to different heights/widths.

This versatile window is ideal for many applications including: food service, healthcare, parks and rec, ticket booths, distribution centers, and more

Choose your mode of operation

◇ **MANUAL OPEN / SELF CLOSE**

Manual open, with patented hands-free gravity close. Economical and easy to maintain.

◇ **MANUAL OPEN / ELECTRONIC RELEASE (MOER)**

Electromagnetic “hold open” feature paired with a presence sensor offers the control of manual open with a gravity-fed close that won’t release while interacting with customers. Hands free interaction that is easy to maintain.

◇ **ELECTRIC**

Fully automatic electric, for hands free open & close. Operator steps into overhead beam to activate.



Pictured: Right to Left from outside view

STANDARD SIZES

- ◇ 47-1/2”W x 43-1/2”H (19”W x 35”H service opening)
- ◇ 47-1/2”W x 35-3/4”H (19”W x 27”H service opening)
(15” west coast restricted service opening)*
- ◇ 35-3/4”W x 35-3/4”H (13-1/2”W x 27”H service opening)*
(Manual open/ Self Closing and M.O.E.R only)

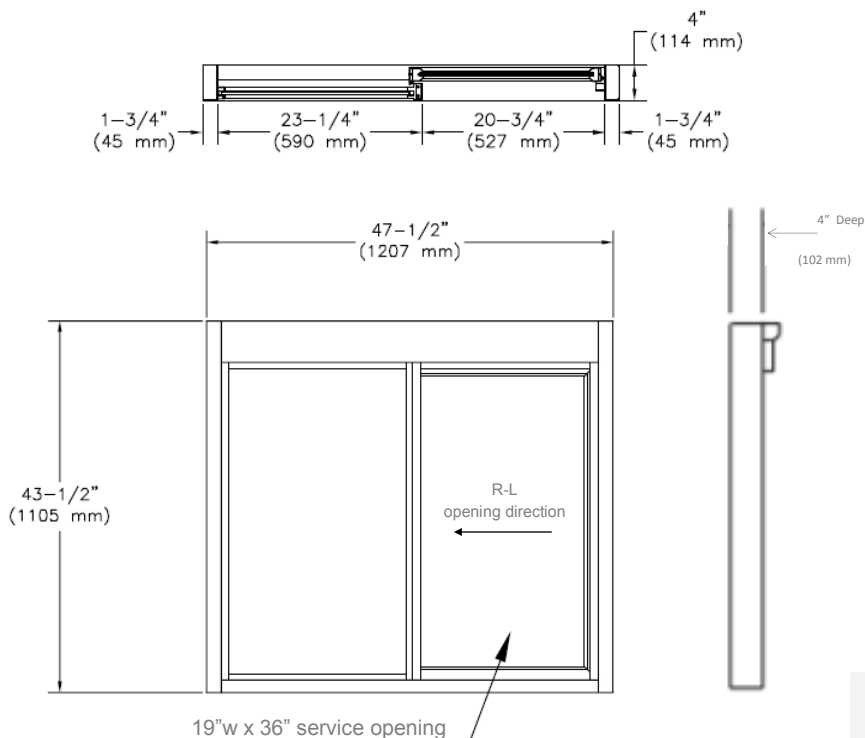
* Meets CA restricted opening requirement—under 432 square inches

STANDARD FEATURES:

- ◇ Anodized aluminum extrusions and stainless steel combine to give you an attractive window that will not rust, pit or weather
- ◇ Fully assembled, pre-glazed and ready to install
- ◇ 1/4” Clear Tempered Glass
- ◇ Dark Bronze or Clear Anodized Aluminum
- ◇ Self latches every time it closes. Also includes a thumb turn lock, and night locking bar
- ◇ Track free bottom sill provides for a contaminant free surface. Angled toward outside for drainage toward exterior
- ◇ One year parts & labor limited warranty
- ◇ On-staff tech support / stocked parts / nationwide network of service providers.

OPTIONAL FEATURES

- ◇ Powder Coat Paint—Tiger Drylac
- ◇ Custom Size
- ◇ Tinted Glazing
- ◇ Low E Glass
- ◇ 5/16 Safety Glass
- ◇ Stainless Steel Shelf to extend sill inside or out (13 ga.)
- ◇ Telescoping After Hours Security Bar Set for additional security
- ◇ Solid Glass Transom
- ◇ Split Transom for AA100 Fly Fan
- ◇ AA300 Heated Air Curtain
- ◇ Restriction Panel Sneeze Guard or Screen
- ◇ Hipscan sensor ILO overhead beam for fully electric operation



ROUGH OPENING

47-1/2" W x 43-1/2" H

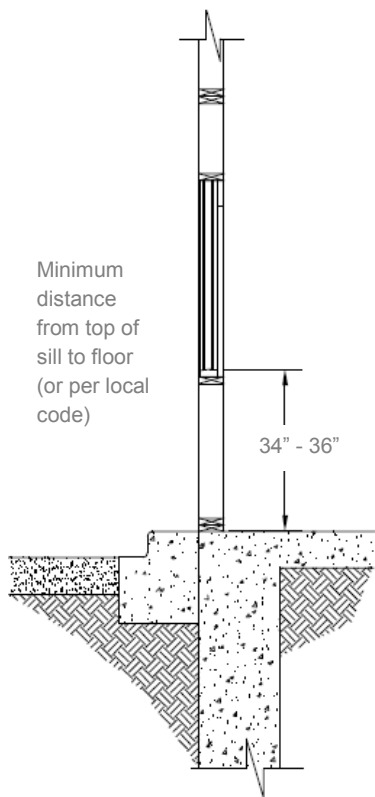
- ◇ Masonry Rough Opening - 48"W (1219 mm) x 44"H (1118 mm)
- ◇ Glazing Rough Opening - 47-3/4"W (1213 mm) x 43-3/4"H (1111 mm)

47-1/2" W x 35-3/4" H

- ◇ Masonry Rough Opening - 48"W (1219 mm) x 36-1/4"H (921mm)
- ◇ Glazing Rough Opening - 47-3/4"W (1213 mm) x 36"H (914 mm)

35-3/4" W x 35-3/4" H

- ◇ Masonry Rough Opening - 36-1/4"H (921mm) x 36-1/4"H (921mm)
- ◇ Glazing Rough Opening - 36"H (914 mm) x 36"H (914 mm)



All windows are shipped completely pre-assembled, fully glazed and ready to install.

Installation / Owners manual can be retrieved online: www.ready-access.com

- ◇ Installation illustrations are for reference only. Construction conditions and local codes prevail.
- ◇ Must be installed level, square and plumb.

Specify opening direction from outside view
Left to Right or Right to Left

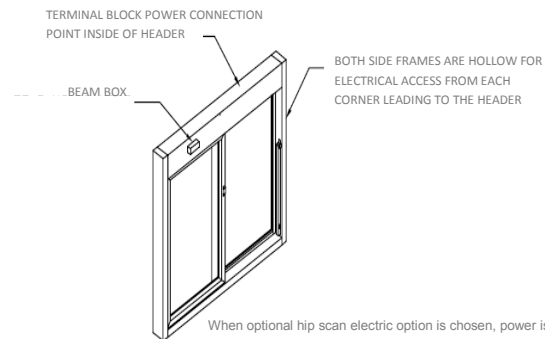
ELECTRIC REQUIREMENTS

Manual Open / Self Close Window:
No Power Required

Manual Open / Electronic Release & Fully Automatic Electric:
115 vac—60Hz with a 15 amp dedicated circuit

Run power to header on fixed panel side

Window must be on a dedicated circuit



When optional hip scan electric option is chosen, power is pulled from bottom of jam. Note: ensure wires are accessible to interior. Hip scan will mount on interior wall.