

Fully assembled flush mount security system with option to serve through window, or lock window and serve through drawer. Includes speaker and option of two drawer sizes to meet your secure transaction needs.

Choose the appropriate glazing for your site:

- ◇ **INSULATED** 3/4" insulated tempered glass.
- ◇ **ENERGY SAVER** Choose 3/4" Solarban 70XL Insulated Low-E glass to maximize energy-efficiency and staff comfort. Estimated to save 33% on energy costs associated with the window. NFRC Rated.
- ◇ **HURRICANE** Choose Smash & Grab Impact Rated Glazing (Miami Dade NOA 16-0307.06 – Impact Zones)
- ◇ **SECURITY** Choose Level 1 Bullet Resistant Lexan or Smash & Grab glazing for protection from forced entry. When L1 Lexan is selected, extrusions are lined with Lumiguard.

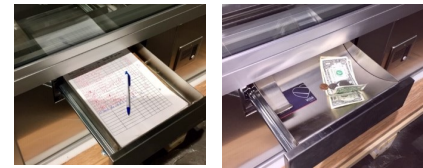
**601 SERIES WINDOW OPERATION** Includes a thumb turn lock, and night locking bar. Choose your window mode of operation.

- ◇ **MANUAL OPEN / SELF CLOSE**  
Manual open, with patented hands-free gravity close. Economical and easy to maintain. Self latches every time it closes.
- ◇ **MANUAL OPEN / ELECTRONIC RELEASE (MOER)**  
Electromagnetic "hold open" feature paired with a presence sensor offers the control of manual open with a gravity-fed close that won't release while interacting with customers. Hands free interaction that is easy to maintain.
- ◇ **ELECTRIC**  
Fully automatic electric, for hands free open & close, comes with overhead presence sensor.



601 pictured: right to left from outside view, clear anodized finish.

Drawer mounted under fixed pane



Cash drawer with removable deal tray 2-1/4" high



Product Drawer interior and exterior view. 9-1/2" high

### OVERALL FRAME SIZE INCLUDING DRAWER/SPEAKER HOUSING

- ◇ 47 1/2" W x 58 1/2"H (19"W x 35"H window service opening)
- ◇ 47 1/2"W x 50 3/4" (19"W x 27"H window service opening)

### STANDARD FEATURES:

- ◇ Anodized aluminum extrusions and stainless steel combine to give you an attractive window that will not rust, pit or weather
- ◇ Fully assembled, pre-glazed and ready to install
- ◇ Two Drawer Options—transfer area dimensions:
  - Product Drawer: 18-1/4"W x 14-1/4"D x 9-1/2"H
  - Cash Drawer: 9-1/2"W x 14-1/4"D x 2-1/4"H without deal tray
- ◇ Dark Bronze or Clear Anodized Aluminum window frame
- ◇ One year parts & labor limited warranty
- ◇ On-staff tech support / stocked parts / nationwide network of service providers

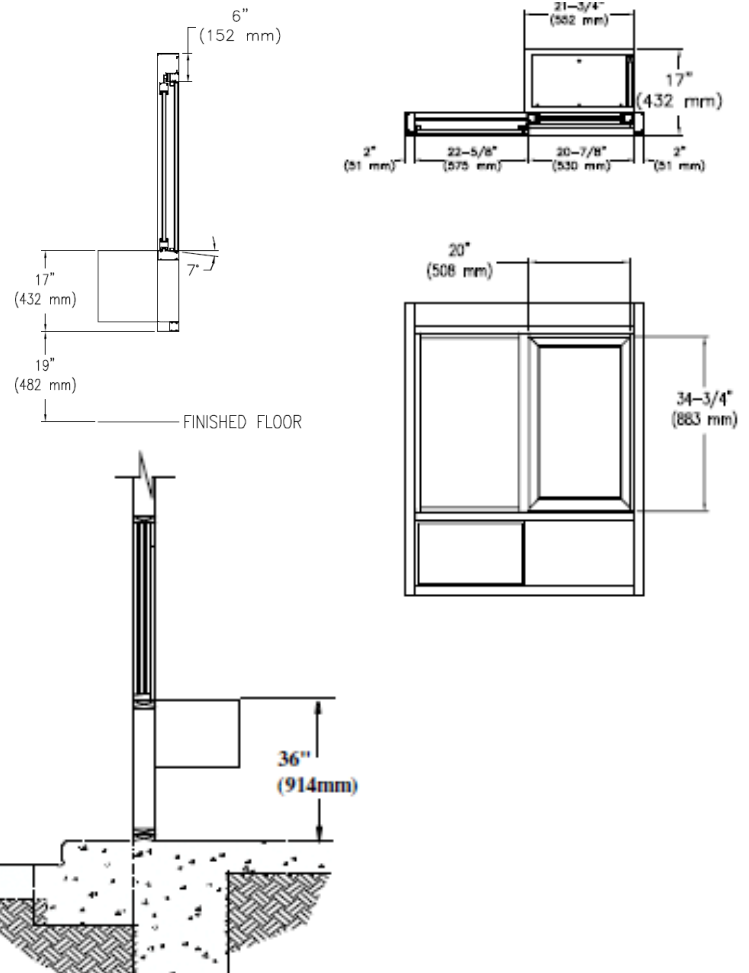
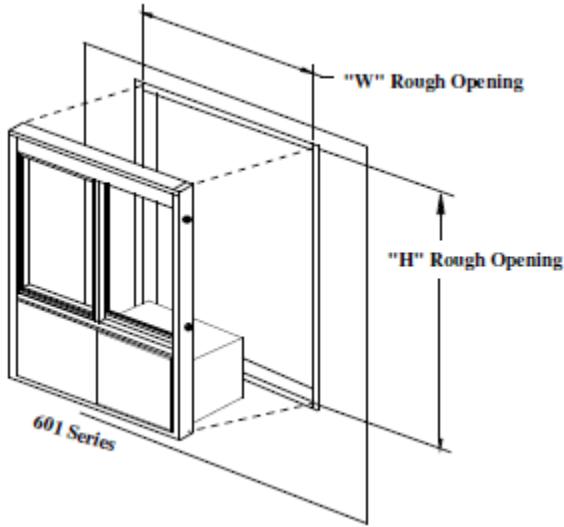
### OPTIONAL FEATURES

- ◇ Glazing:
  - 3/4" Clear insulated
  - 3/4" Solarban 70 XL Insulated Low E
  - 3/4" Smash & Grab
  - 3/4" Lexan Level 1
- ◇ Powder Coat Paint—Tiger Drylac
- ◇ 601 Accessories
  - Telescoping Night Time Security Bar Set for additional security
  - Restriction Panel or Screen

ALL WINDOWS ARE SHIPPED COMPLETELY PRE-ASSEMBLED, FULLY GLAZED AND READY TO INSTALL.

Installation / Owners manual can be retrieved online: [www.ready-access.com](http://www.ready-access.com)

Must be installed level, square and plumb.



Specify L-R or R-L window slide direction from outside view

Specify Drawer Position - L or R from outside view

Specify Drawer Type

◇ Product: 18-1/4"W x 14-1/4"D x 9-1/2"H transfer area

◇ Cash: 9 1/2"W x 14 1/4"D x 2 1/4"H transfer area without deal tray

### ELECTRIC REQUIREMENTS—WINDOW

601 Manual Open / Self Close Window No power required

601 Manual Open / Electronic Release & Fully Automatic Electric:

115 vac—60Hz with a 15 amp dedicated circuit

Run to header on fixed panel side

### ELECTRIC REQUIREMENTS—SPEAKER

Speaker supplied with 115v cord & plug—positioned opposite drawer.

### ROUGH OPENING

Rough opening should be 1/2" larger than frame size to allow for shimming. (defer to preference of glazer if mounting in storefront)

For interior counter sill height of 36", rough opening should be set 18 3/4"H from interior finished floor.

◇ 47 1/2"W x 58 1/2"H (RO 48"W x 59"H)

◇ 47 1/2"W x 50 3/4"H (RO 48" x 51 1/4")