

RA-LGTD18X14X9 Large Transaction Drawer

Large transfer area for packages, bags, beverage cases, and gallon containers. Easy reach design allows quick access for drive thru or walk up customers (including mobility impaired). Includes money clip & change tray.

Interlocking lid prevents physical contact between operator and customer. Level 3 Bullet Resistant Faceplate Insert.

To use, load product from the top on interior, depress button on handle and press forward to smoothly open drawer. Extends 10" toward customer when open.

APPLICATIONS

Ideal solution for convenience stores, pharmacies, corrections, dispensaries, financial institutions, government projects, or fast food restaurants in high risk areas. Suitable for interior and exterior environments.

Transfer Area: 18 1/4"w x 14 1/4"d x 9 1/2"h



SIZE

Overall Size: 21 3/4"w x 16 3/4"d x 15"h

Rough Opening: 22"w x 13 1/4"h

Frame Face: 21 3/4"w x 13"h

STANDARD FEATURES:

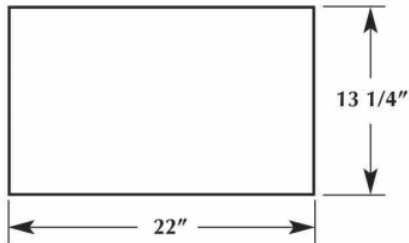
- ◇ Fully assembled with exception of handle and ready for thru-wall installation in 4 1/2" thick walls.
- ◇ Extends 10" toward customer
- ◇ High Quality Stainless Steel Construction
- ◇ Interior Lock
- ◇ Currency / Paper Clip Accessory
- ◇ Trim Face Plate
- ◇ One year parts & labor limited warranty

A LARGE TRANSACTION DRAWER IS PART OF A MODULAR TRANSACTION SOLUTION

- ◇ Mount under Fixed Window or Operable Window
- ◇ Add Speak Thru, Amplified Speaker or Intercom

LET OUR EXPERTS HELP YOU CONFIGURE THE BEST SOLUTION FOR YOUR PROJECT

REQUIRED WALL OPENING

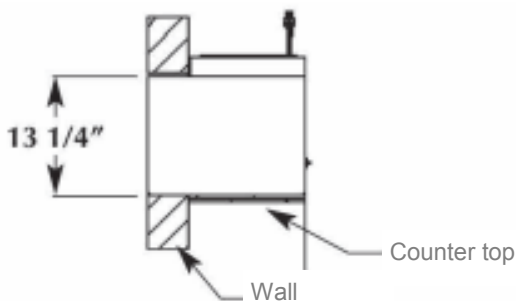


RA-LGTD18X14X9 is shipped pre-assembled and ready to install.

Simply attach handle

- ◇ Installation illustrations are for reference only. Construction conditions and local codes prevail.
- ◇ Must be installed level, square and plumb.
- ◇ Mounts through wall below any flush mount window.

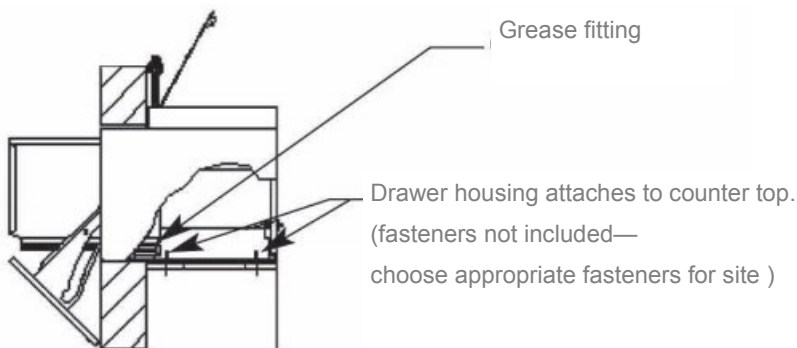
SIDE VIEW (closed position)



MANUAL OPERATION

No power required

SIDE VIEW (open position)



COUNTER MUST BE SUPPORTED AT POINTS ADJACENT TO DRAWER HOUSING

NOTE: The drawer slide needs to be greased a minimum of every 6 months. Lithium soap based grease No.2 is recommended. Open the drawer to access the grease fitting.