

Bali® 1" Lightblocker™ Vinyl Blinds

PRODUCT SPECIFICATIONS

Headrail shall be 1.905mm (0.075") minimum thick PVC. Includes two plastic end caps, color matched to the slats.

Wand Tilter shall be a snap-in component incorporating a fully enclosed worm gear design.

Tilt Wand shall be clear acrylic, hex shape. Wand shall measure a minimum of 7.0mm (.276") across the flats.

Tilt Rod shall be FBW-11.3".

Cord Lock shall be combination steel and plastic unit with brass serrated lock pin. Cord lock shall incorporate a crash-proof safety feature that will lock blind automatically upon release of the cord.

Cord shall be braided polyester measuring 1.6mm minimum.

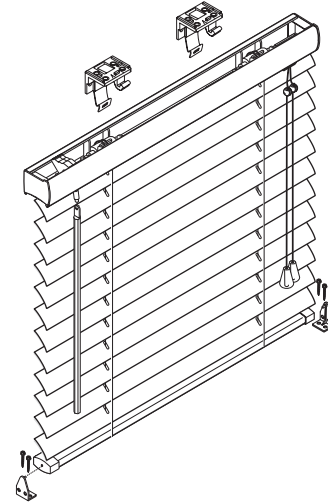
Installation Brackets shall be a clear polycarbonate with #6 x 1" pan head, combination drive, zinc plated and carbon steel screws.

Braided Ladder shall be 19.8mm (H) x 27mm (W) made of 100% polyester incorporating two extra strength rungs per ladder to support slats. Maximum spacing between ladders is 16".

Light-filtering Slats shall be light filtering PVC (.7D - 2.09D) 24.5-25mm wide, 0.38mm - 0.42mm (.015" - .0165") thick.

Room Darkening Slats shall be room darkening PVC (2.1D - 4.0D) 0.42mm - 0.445mm (.0165" - .0175") thick. Available in Gloss White Satin or Gloss Alabaster.

Bottomrail shall be PVC 1.277mm (0.050") thick minimum, color matched to the headrail. Bottomrail contains milky white polyethylene cord buttons, and two color matched end caps. Quantity of cord buttons is the same as the number of ladders.



PRODUCT FEATURES AND BENEFITS

- Cord tilt standard
- Wand Tilt
- Limited Lifetime warranty