

# 1" Semi-Custom Vinyl Blinds

## PRODUCT SPECIFICATIONS

**Headrail** shall be 0.018" thick U-shaped steel. The steel finishing process includes phosphate treatment for corrosion resistance, a chrome-free sealer, a low HAP urethane primer, and a topcoat with low HAP polyester backed enamel. Includes two plastic end caps, color coordinated to the slats.

**Wand Tilter** shall be a snap-in component incorporating a fully enclosed worm gear design.

**Tilt Wand** shall be clear acrylic, hex shape with a hook on the end. Wand shall measure a minimum of 7.0mm (.276") across the flats.

**Tilt Rod** shall be FBW-11.3".

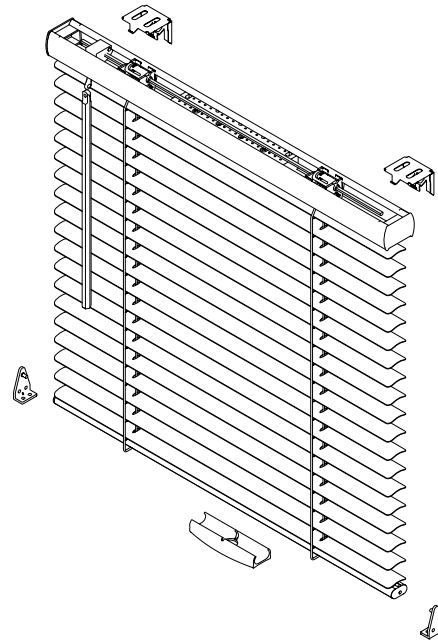
**Cordless Lift Spring Motor** shall be an enclosed double spooled motor with an engineered constant torque spring. The motor allows for smooth function throughout the complete lift and lowering cycle. Motor balance will keep the bottomrail at the desired location, regardless of its position.

**Installation brackets** shall be a hidden bracket, stamped steel, zinc-plated with #6 x 1" pan head, combination drive and zinc-plated, carbon-steel screws.

**Braided Ladder** shall be 22m (H) x 27mm (W) made of 100% polyester incorporating two extra strength rungs per ladder to support slats. Maximum spacing between ladders is 16".

**Slats** shall be light filtering crowned PVC (.7D-2.09D) 24.5-25MM wide x .38-.42mm thick. Meets the requirement of NFPA 701 Test Method 1-2004 edition.

**Bottomrail** shall be steel, 0.45mm (0.018") thick, and match the headrail color. Bottomrail contains two end caps and multiple cord button plugs all made from polyethylene (milky white color). Quantity of cord buttons is the same as the number of ladders.



## PRODUCT FEATURES AND BENEFITS

- 1" wide PVC crowned slats are lead-free, easy to clean, and meet NFPA 701
- Cordless lift with wand tilt for child safety. Compliant with ANSI WCMA A100.1-2018 National Standard for Safety of Corded Window Covering Products
- Sleek steel headrail requires no valance and provides superior durability
- Hidden steel mounting brackets are designed for easy installation and a clean look
- Five year limited warranty

Minimum Blind Width	16-1/2" inside mount* 16" outside mount
Maximum Blind Width	72-1/2" inside mount* 72" outside mount
Minimum Blind Height	24"
Maximum Blind Height	84"

\* 1/2" deduction is taken on all inside mount blinds