

# 2" Designer Vinyl Blinds

## PRODUCT SPECIFICATIONS

**SureClose Headrail** shall be 1<sup>5</sup>/<sub>8</sub>" high x 2<sup>1</sup>/<sub>4</sub>" wide x .022" thick U-shaped steel with 1/8" lightblocking lip on the bottom center line. The steel finishing process includes phosphate treatment for corrosion resistance, a chrome-free sealer, a low HAP urethane primer, and a topcoat of low HAP, polyester-baked enamel.

**Cord tilter** shall be a snap-in component incorporating a worm and pulley of low-friction thermoplastic and a nylon gear. Tilt cords shall be secured to pulley and treated with tassels at tilt end.

**Lift cord** shall be made of 100% polyester yarn and 1.8 mm thick for standard routes. 1.2 mm for NoHoles

**Tilt rod** shall be electro-zinc coated solid steel measuring 1/4" square.

**Cordlock** shall be metal of a snap-in design incorporating a floating, shaft-type locking pin. Cordlock shall incorporate a crash-proof safety feature that will lock blind automatically upon release of cord.

**Drums** shall be made of high-strength thermoplastic, which securely anchors braided ladder or cloth tapes.

**Installation brackets** shall be made of phosphate-treated steel with a urethane primer and polyester-baked enamel finish to match headrail. The design shall incorporate a hinged front cover.

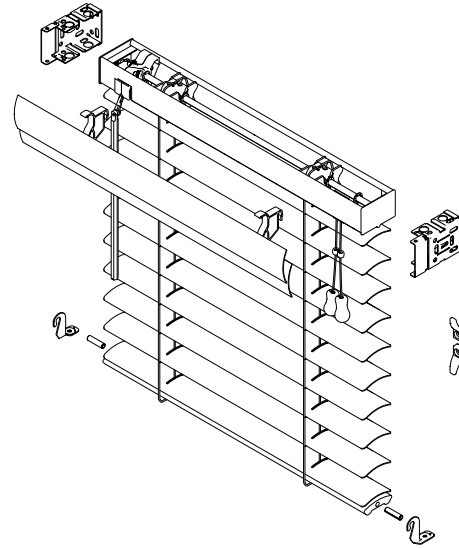
**Braided ladder** shall be made of 100% polyester yarn, incorporating two extra-strength rungs per ladder to support slats. Standard ladder spacing shall be 44 mm.

**Slats** shall be rigid, UV-stabilized, crowned PVC nominally 2" wide .045" thick with straight-cut edges. Slats meet the requirement of NFPA 701 Test Method 1-2004 edition.

**Bottomrail** shall be extruded foam PVC 9/16" high x 2" wide and shall coordinate with slats.

## OPTIONS

- NoHoles™ privacy and lightblocking option
- 1" or 1<sup>1</sup>/<sub>2</sub>" cloth tapes
- Cord tilt
- Ring pull
- Ring tilt
- Extension brackets
- Hold down brackets
- Cut-outs
- Double valance
- Motorized – tilt only
- Custom cord lengths available



## PRODUCT FEATURES AND BENEFITS

- Value engineered for condominium communities, and healthcare and retirement properties
- High quality product with durable performance, especially compared to import cut down products
- 2" wide PVC crowned slats meet NFPA 701
- SureClose™ Headrail system
- Wand tilt
- Coordinates with 3<sup>1</sup>/<sub>2</sub>" PVC vertical vanes
- Compliant with ANSI WCMA A100.1-2018 standard for cord length.
- Headrail and components: Limited lifetime warranty
- 2" vinyl horizontal slats: Three-year warranty

Identical to Graber® 2" Designer Vinyl Blinds