

Customiser™ 1" Aluminum Blinds

PRODUCT SPECIFICATIONS

Headrail shall be 1" high x 1" wide x .025" thick U-shaped steel. The steel finishing process includes phosphate treatment for corrosion resistance, a chrome-free sealer, a low hazardous air pollutants (HAP) urethane primer, and a topcoat of low HAP, polyester-baked enamel.

Tilter shall be made of injection-molded thermoplastics for smooth low-friction operation and shall incorporate a clutch mechanism to prevent damage due to overtilting.

Tilt Rod shall be electro-zinc coated solid steel measuring 1/4" square.

Tilt Wand shall be clear polycarbonate with a hexagonal cross section measuring approximately 1/4" diameter and attached to the tilter shaft by means of a spring clip for easy removal.

Lift Cord is available in 1.4 mm.

Cordlock shall be a snap-in design made of durable high-impact nylon with a stainless steel wear guard incorporating a floating shaft-type locking pin. The design provides a crash-proof safety feature that will lock the blinds automatically upon release of the lift cord.

Drum and Cradles shall be low-friction thermoplastic and provided for each ladder.

Installation Brackets shall be made of phosphate-treated steel with a urethane primer and polyester-baked enamel finish to match headrail. The design shall incorporate a hinged front cover.

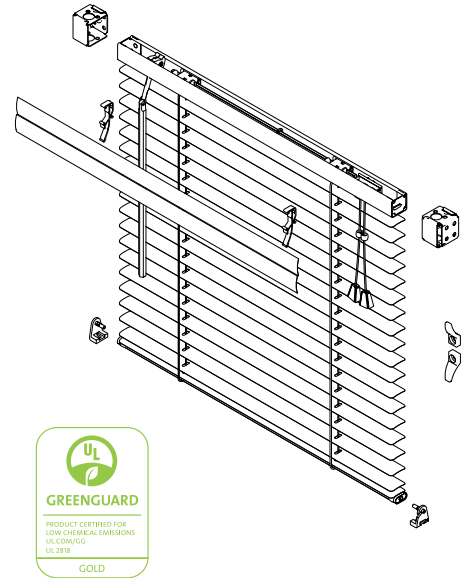
Braided Ladder shall be made of 100% polyester yarn, incorporating two extra-strength rungs per ladder for slat support. Standard ladder spacing shall be 22.5 mm.

Slats shall be 5000 series cold-rolled aluminum containing the maximum allowable recycled content to produce a high-strength and corrosion-resistant flexible product. Slats shall be nominally 1" wide x .006" thick and processed to provide a smooth, hard, less porous surface with antistatic performance to repel dust. Slats shall be treated with a topcoat of low HAP polyester-baked enamel.

Bottomrail is a c-shaped open bottomrail made of phosphate-treated steel for corrosion resistance and finished with a chrome-free sealer, low HAP urethane primer, and a topcoat of low HAP, polyester-baked enamel. Bottomrail shall measure .025" thick.

OPTIONS

- .008" thick slat
- Inverted slat for daylighting
- 20 mm or 21.5 mm ladder spacing
- Tilt limiter
- Ring tilt
- Top-lock cordlock
- Ring pull
- Turn clips for extruded pockets
- Extension brackets
- Hold down brackets
- Cut-outs
- Two-slat valance
- Deluxe two-slat valance
- Custom cord lengths available



PRODUCT FEATURES AND BENEFITS

- Durable performance, value engineered
- 1" x 1" steel headrail with slim profile for limited recess space applications
- Disengaging clutch and crash-proof cordlock
- Box bracket
- Compliant with ANSI WCMA A100.1-2018 standard for cord length
- Antistatic performance to repel dust
- Low HAP, low VOC paint process
- Slats meet NFPA 701
- GREENGUARD Gold certified
- Limited lifetime warranty

*Identical to Ball® Customiser
1" Aluminum Blinds*