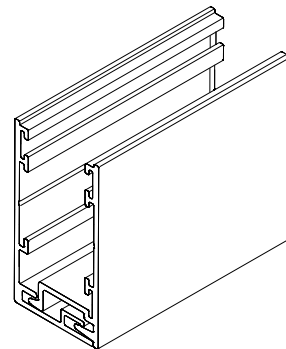
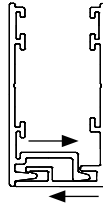
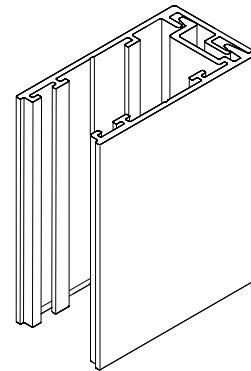
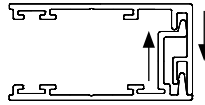


Blackout Channels

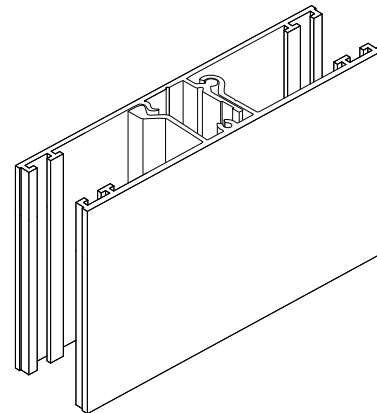
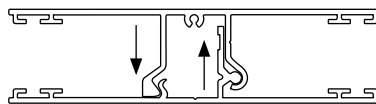
Sill/Side Channels

- 1.05" x 2"
- Two-piece, snap together design



Center Channels

- 1.063" x 4"
- Two-piece, snap together design



- Blackout channels are a two-piece system with synthetic pile inserts to eliminate light gaps.
- Available in white, vanilla, clear anodized, bronze, or black. Paint meets AAMA 2603 spec.
- Manual shades: available for use with SL10/SL15/SL20/SL30 clutches, dual brackets, and 4" fascia.
- Motorized shades: available with all motor types.
- Center channel is auto configured for coupled shades.
- Blackout channels not available with external fabric-wrapped hem bar.
- 6000 series T5 extruded aluminum.