

# 2" Composite Blinds

## PRODUCT SPECIFICATIONS

**SureClose Headrail** shall be 1<sup>5</sup>/<sub>8</sub>" high x 2<sup>3</sup>/<sub>4</sub>" wide x .022" thick U-shaped, extruded steel with 1<sup>1</sup>/<sub>8</sub>" lightblocking lip on the bottom center line. The steel finishing process includes phosphate treatment for corrosion resistance, a chrome-free sealer, a low HAP urethane primer, and a topcoat with low HAP, polyester-baked enamel.

**Valance** choices include 3" Classic and 3" Majestic.

**Cord tilter** shall be a snap-in component incorporating a worm and pulley of low-friction thermoplastic and a nylon or die-cast zinc gear, depending on size of blind. Tilt cords shall be secured to pulley and treated with wood tassels at tilt end.

**Tilt rod** shall be electro-zinc coated solid steel measuring 1/4" square.

**Cordlock** shall be metal of a snap-in design incorporating a floating, shaft-type locking pin and shall incorporate a crash-proof safety feature that will lock blind automatically upon release of cord.

**Cradles** shall be made of low-friction thermoplastic with metal lift cord rollers.

**Drums** shall be made of high-strength thermoplastic, which securely anchors braided ladder or cloth tapes.

**Braided ladder** shall be made of 100% polyester yarn, incorporating four extra-strength rungs per ladder for slat support. Standard ladder spacing shall be 44 mm.

**Cord** shall be made of 100% polyester yarn and shall be 1.8 mm thick for standard routes, 1.4 mm for NoHoles™, and 1.2 mm for cordless lift.

**Installation brackets** shall be a universal style with hinged front cover phosphate-treated steel with urethane primer and polyester-baked enamel finish to match headrail.

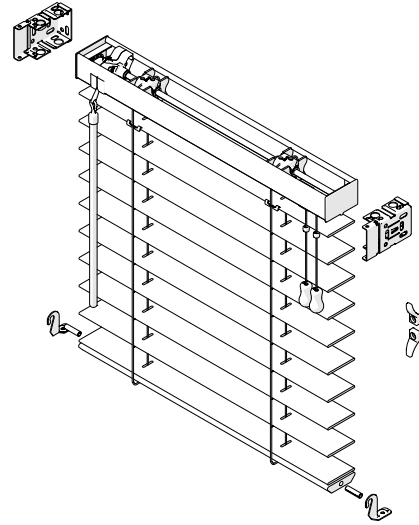
**Slats** shall be PVC-free polystyrene measuring 2" wide x 1<sup>1</sup>/<sub>8</sub>" thick with straight-cut edges.

**Bottomrail** shall be a blend of PVC polymers 7<sup>7</sup>/<sub>8</sub>" high x 2" wide in a trapezoid shape to improve closure and shall coordinate with slats.

**Cordless lift** option shall use 2" x 2<sup>3</sup>/<sub>4</sub>" steel headrail.

## OPTIONS

- 2<sup>1</sup>/<sub>2</sub>" slat
- NoHoles privacy and lightblocking slat
- 1" or 1<sup>1</sup>/<sub>2</sub>" cloth tapes
- Cordless lift
- Ring lift
- Motorized tilt
- Ring tilt (2" only)
- Cord tilt
- Extension brackets
- Hold down brackets
- Cut-outs
- Custom cord lengths available



## PRODUCT FEATURES AND BENEFITS

- PVC-free polystyrene slats
- SureClose™ Headrail system
- Trapezoid-shaped bottomrail
- Wand tilt
- Braided ladder
- Compliant with ANSI WCMA A100.1-2018 standard for cord length.
- Limited lifetime warranty

The SWFcontract product presented is identical to Graber® Traditions® 2" Composite Blinds.