

2" Faux Wood Blinds

PRODUCT SPECIFICATIONS

SureClose Headrail shall be 1⁵/₈" high x 2¹/₄" wide x .022" thick U-shaped, extruded steel with 1¹/₈" lightblocking lip on the bottom center line. The steel finishing process includes phosphate treatment for corrosion resistance, a chrome-free sealer, a low HAP urethane primer, and a topcoat with low HAP, polyester-baked enamel.

Valance choices include 3" Classic and 3" Majestic.

Cord tilter shall be a snap-in component incorporating a worm and pulley of low-friction thermoplastic and a nylon or die-cast zinc gear, depending on size of blind. Tilt cords shall be secured to pulley and treated with tassels at tilt end.

Tilt rod shall be electro-zinc coated solid steel measuring ¼" square.

Cordlock shall be metal of a snap-in design incorporating a floating, shaft-type locking pin and shall include a crash-proof safety feature that will lock blind automatically upon release of cord.

Cradles shall be made of low-friction thermoplastic with metal lift cord rollers.

Drums shall be made of high-strength thermoplastic, which securely anchors braided ladder or cloth tapes.

Braided ladder shall be made of 100% polyester yarn, incorporating four extra-strength rungs per ladder for slat support. Standard ladder spacing shall be 44 mm.

Cord shall be made of 100% polyester yarn and shall be 1.8 mm thick for standard routes, 1.4 mm for NoHoles™, and 1.2 mm for cordless lift.

Installation brackets shall be a universal style with hinged front cover, made of phosphate-treated steel with urethane primer and polyester-baked enamel finish to match headrail.

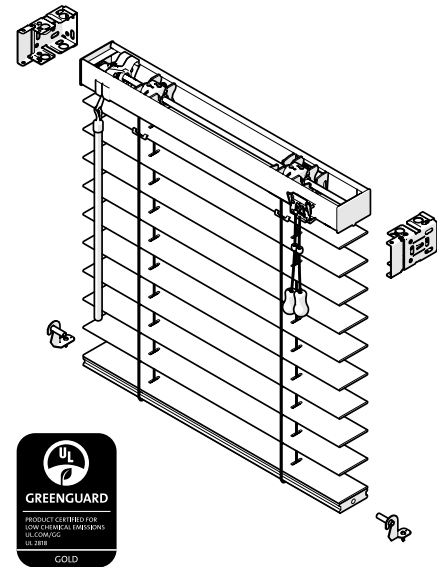
Slats shall be rigid, UV-stabilized, flat PVC nominally 2" wide x 1¹/₈" thick with straight-cut edges. Slats meet the requirement of NFPA 701 Test Method 1-2004 edition.

Bottomrail shall be extruded foam PVC 9¹/₁₆" high x 2" wide in a rectangular shape and shall coordinate with slats.

Cordless lift option shall use 2" x 2¹/₄" steel headrail.

OPTIONS

- 2¹/₂" slat
- NoHoles privacy and lightblocking slat
- 1" or 1¹/₂" cloth tapes
- Cordless lift
- Ring lift
- Ring tilt (2" only)
- Cord tilt
- Extension brackets
- Hold down brackets
- Cut-outs
- Custom cord lengths available



PRODUCT FEATURES AND BENEFITS

- Flat PVC slats meet NFPA 701
- SureClose™ Headrail system
- Rectangular-shaped bottomrail
- Wand tilt
- Braided ladder
- Compliant with ANSI WCMA A100.1-2018 standard for cord length.
- GREENGUARD Gold certified
- Limited lifetime warranty

The SWFcontract product presented is identical to Graber® Lake Forest® 2" Faux Wood Blinds.