

# G-71 Super-Vue® Vertical Blinds

## PRODUCT SPECIFICATIONS

**Headrail** shall measure  $1\frac{15}{16}$ " wide x  $1\frac{3}{8}$ " high with an average wall thickness of .050" and made of anodized aluminum alloy 6063-T5 with a satin finish.

**Carriers** shall be made of molded acetyl and traverse on self-lubricated wheels for smooth operation. Carriers shall be centrally located, making the headrail reversible. Stems shall be made of clear, nonyellowing, UV-stabilized nylon and are impact-resistant. Carriers and stems shall be replaceable without demounting the headrail.

**Rotation control** shall consist of #10 nickel-plated steel bead chain and a dual rack-and-pinion gear system, providing 180° direct rotation. The pinion rod shall be extruded aluminum 0.30" diameter. Standard E-Z Open feature will automatically rotate vanes open when the traverse cord is operated.

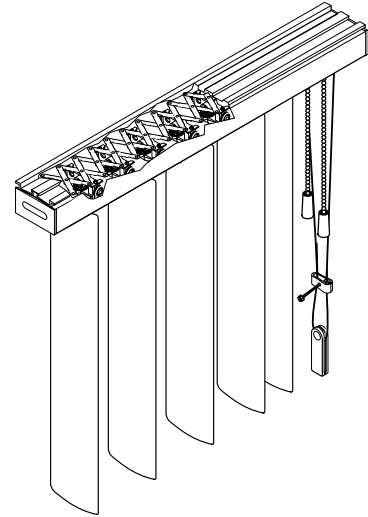
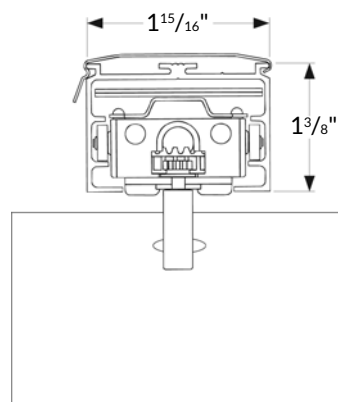
**Traversing control** shall be a pantograph system made of hard-tempered, 18 gauge (0.046") plated steel, ensuring precise and proportional vane spacing. Traverse cord is #3 braided polyester with a fiberglass core, 0.094" diameter and is equipped with a cord weight or tension device and cord clip. The cord clip is placed above the cord weight or tension device to prevent a hazardous cord loop. The cord clip should be properly anchored to the wall or window jamb in accordance with installation instructions and consistent with requirements of the American National Standard for Window Covering Safety ANSI-WCMA A100.1.

**Installation brackets** shall be made of zinc-plated, heat-treated steel and provided for overhead, wall, or ceiling installation per the contract documents.

**Vaness** shall be selected from the Graber® line of PVC offerings in 2" or  $3\frac{1}{2}$ " widths and/or fire-rated fabrics in  $3\frac{1}{2}$ " widths.

## OPTIONS

- Cord/chain drive
- Valance
- Stack release
- Bottom chain
- Extension brackets
- Custom-painted headrail
- Curved headrail
- Angle headrail
- Bay window application



## PRODUCT FEATURES AND BENEFITS

- Sets the industry standard—most specified vertical blind for commercial applications
  - One Touch® wand control is standard (not available with E-Z open)
  - Steel pantograph carrier spacing and traversing system offers superior performance compared to cheap, plastic imitations
  - $1\frac{15}{16}$ " x  $1\frac{3}{8}$ " heavy-duty extruded aluminum headrail
  - E-Z Open™ feature automatically rotates vanes open when operating the traverse cord for effortless traversing
  - Centered carrier stems allow the headrail to be reversible
  - Clear, non-yellowing stems
  - #10 nickel-plated steel rotation chain
  - Vanes meet NFPA 701
  - Headrail and components: Limited lifetime warranty
  - Vertical blind vanes: Three-year warranty
- Identical to Graber® G-71 Super-Vue® Vertical Blinds.