

# G-85 Dura-Vue® Vertical Blinds

## PRODUCT SPECIFICATIONS

**Headrail** shall be roll-formed, phosphate-treated steel with a baked enamel finish in ivory gloss. Headrail shall measure 1½" wide x 1¼" high x .027" thick.

**Carriers** shall be made of molded nylon on traversing wheels and centrally located, making the headrail reversible. Detachable stems shall be clear, nonyellowing, UV-stabilized nylon and are impact-resistant. Carriers and stems shall be replaceable without demounting the headrail.

**Rotation control** shall consist of #6 nickel-plated steel bead chain and a rack-and-pinion gear system, providing 180° direct rotation. The pinion rod shall be extruded aluminum 0.30" diameter.

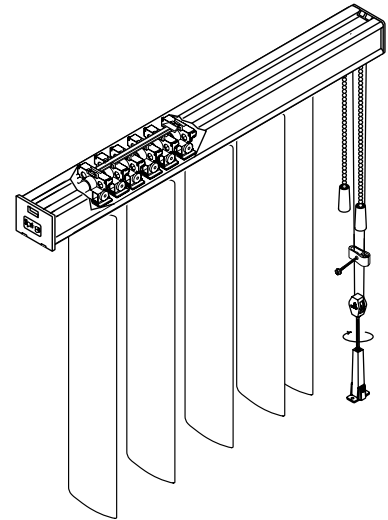
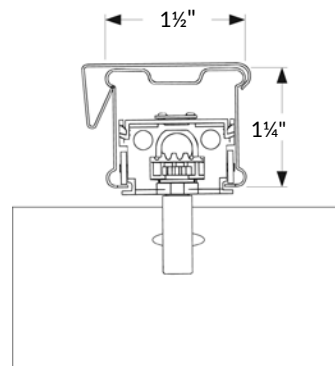
**Traversing control** shall be a nylon strap system. Traverse cord is #3 braided polyester with a fiberglass core, 0.094" diameter and is equipped with a tension device and cord clip. The cord clip is placed above the tension device to prevent a hazardous cord loop. The cord clip should be properly anchored to the wall or window jamb in accordance with installation instructions and consistent with requirements of the American National Standard for Window Covering Safety ANSI-WCMA A100.1.

**Installation brackets** shall be made of zinc-plated, heat-treated steel and provided for overhead, wall or ceiling installation per the contract documents.

**Vanes** shall be selected from the Graber® line of PVC offerings in 2" or 3½" widths and/or fire-rated fabrics in 3½" widths.

## OPTIONS

- Cord/chain drive
- Valance
- Bottom chain
- Extension brackets
- Bay window application



## PRODUCT FEATURES AND BENEFITS

- One Touch® wand control is standard
- 1-1/2" x 1-1/4" roll-formed steel headrail with an ivory gloss finish
- Wheeled carriers allow louvers to traverse smoothly and easily
- Centered carrier stems allow the headrail to be reversible
- Clear, non-yellowing stems
- #6 nickel-plated steel rotation chain
- Headrail and components: Limited lifetime warranty
- Vertical blind vanes: Three-year warranty

Identical to Graber® G-85 Dura-Vue® Vertical Blinds.