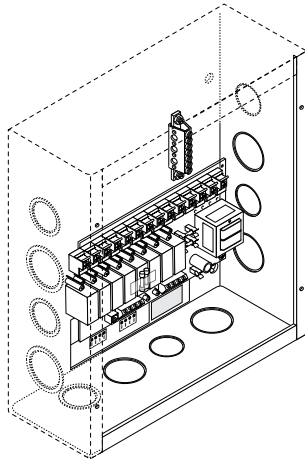


Group Control System-II (GCS-II)



The Group Control System-II (GCS-II) permits low voltage control of up to four Somfy® standard motors with one or more switches, from one or more locations. Optional low voltage control can be accomplished using a RTS to GCS receiver, allowing control from RTS family of controls. The GCS-II offers only group control, and does not have the capability of operating each motor individually. The Group Control System-II is UL and cUL approved.

For applications requiring more than four motors operated by the same switch, the GCS-II can be daisy-chained by way of the low voltage switch terminals.

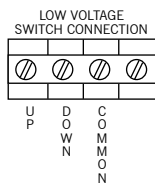
MODEL	PART NUMBER	DIMENSIONS	
GCS-II 120V AC	39-5207-00	GCS-II	8"L x 10"W x 4"D
Maintained Paddle Switch SPDT (Ivory) with faceplate	39-5418-10		
Maintained Paddle Switch SPDT (White) with faceplate	39-5418-01		
Momentary Paddle Switch SPDT (Ivory) with faceplate	39-5419-10		
Momentary Paddle Switch SPDT (White) with faceplate	39-5419-01		
Keyed Switch Light Duty SPDT Indoor Momentary (Ivory)	39-5421-10		
Keyed Switch DPDT Indoor Momentary (Ivory)	39-5229-00		

VOLTAGE RATINGS

Input	Line Voltage	120 V AC +/- 10%; 50-60 Hz 20A
	Low Voltage	12 V DC 0.3 A
Output	Voltage	120 AC 5 A (each motor)
	Motor Fuses	5x5A (one per two motors)
	Low-Voltage Fuses	.5 A

Approvals: Conforms to UL508 standard for industrial controls.
Complies with the National Electrical Code Standards (NEC).

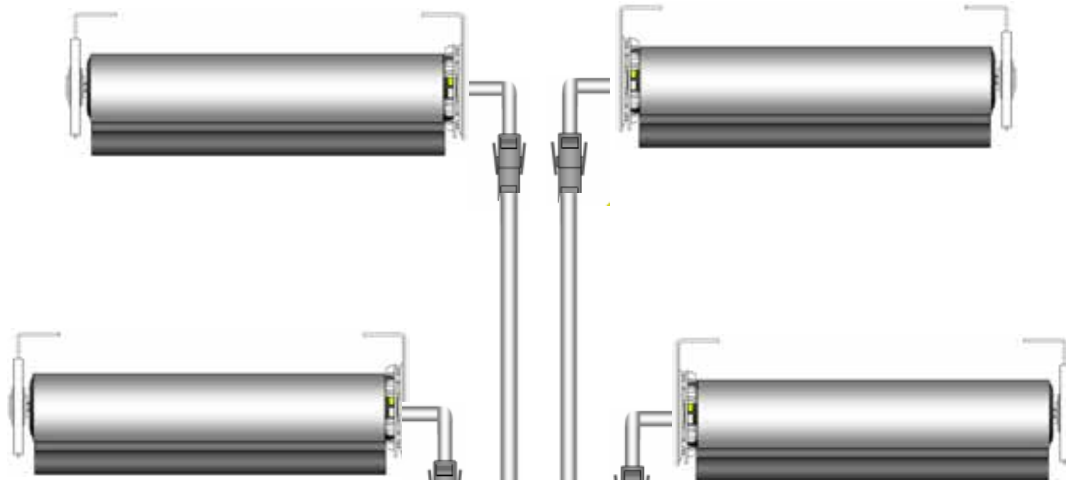
BUILDING'S AUTOMATION INTERFACE



Low voltage terminals are provided on the GCS-II for interfacing to building automation or other third-party systems. To activate an up command, a maintained dry contact (relay) closure is required between the UP input and COMMON. This contact should remain closed for approximately three minutes to ensure full travel of the window treatment. Similarly, to activate a down command, a contact closure is required between the DOWN and COMMON terminals. The window treatment will stop when the contact closure is released.

Group Control System-II (GCS-II)

TYPICAL APPLICATION



CAUTION

Before proceeding with the line voltage wiring instructions, the up and down limits of each motor should be set using the tester cable (Part # 39-5278-00).

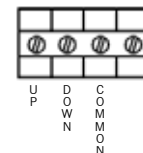
Line Voltage Color Code
 White = Neutral
 Red = Direction 1
 Black = Direction 2
 Green = Ground

Ground
 Hot
 Neutral

RTS to GCS Receiver
 39-5518-00
 RJ11 modular connection

To Next
 GCS-II

Low Voltage
 Switch Connection
 Red = Up
 Black = Down
 White = Common



- Standard Motor Controls
 Maintained SPDT Paddle Switch: 39-5418-XX
 Momentary SPDT Paddle Switch: 39-5419-XX
 Momentary SPDT Light Duty Keyed Switch: 39-5421-10
 Momentary DPDT Keyed Switch: 39-5229-00