

# Data Hub

The Data Hub is a digital network bus distribution component that adds five device ports to a digital network bus line. The device ports support wire stubs with a maximum length of 200 ft. (A wire stub is an extension of the bus segment which connects the bus line to the user interfaces, motors or integration devices.) The wire stubs consist of any devices split away from the main bus distribution line in a system. Connected devices can include a keypad, radio technology receiver, motor or other network product.

A digital network system is comprised of bus distribution devices that create a network for user interfaces, motorized applications, and sensors. Digital networks are scalable, and suitable for small and large projects, and the same components are used whether a digital network is standalone, integrated into a third party automation system, or used with the Animeo® IP automated total solar management system.

**PART NUMBER:** 39-5570-00

## TECHNICAL SPECIFICATIONS

- Input: SDN Bus Power
- Material: ABS
- Operates in ambient temperature
- Dimensions: 4.88" L x 2.24" W x .90" H
- Indoor use only
- Weight: 1 lb.

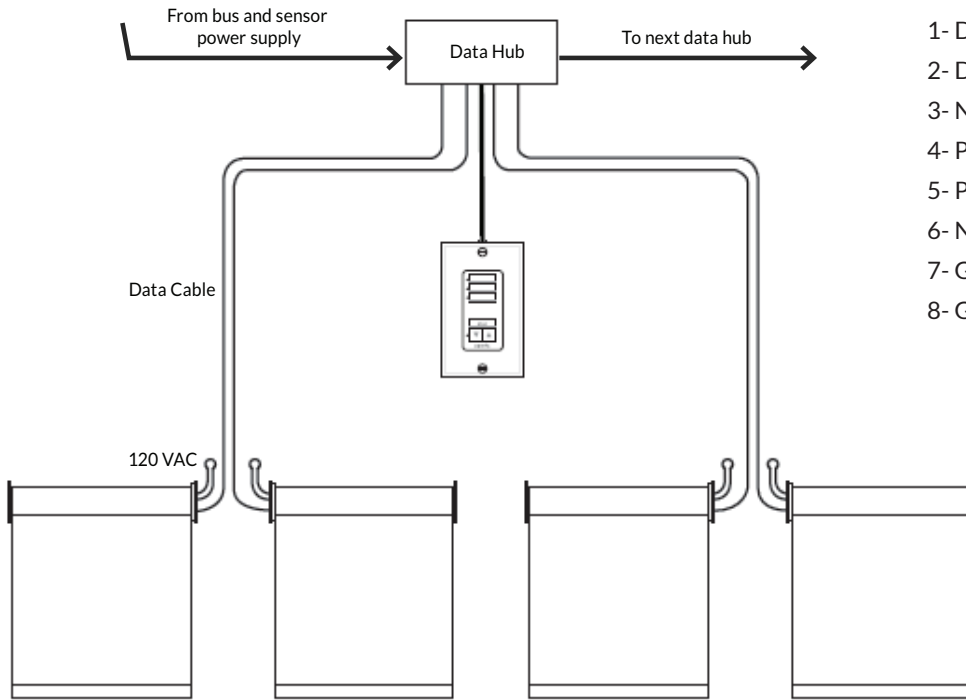


## PRODUCT FEATURES AND BENEFITS

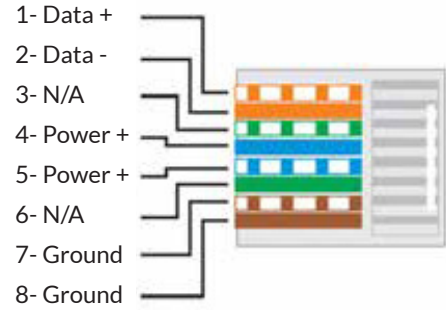
- SDN Power Units: Consumes 1 Power Unit
- Adds 5 device ports to the SDN bus line
- Wiring stub length up to 200 ft.
- Includes bus segment status LEDs for:
  - Power
  - Communication
  - End of line notification
- Protects system components from miswire
- Five-year warranty

# Data Hub

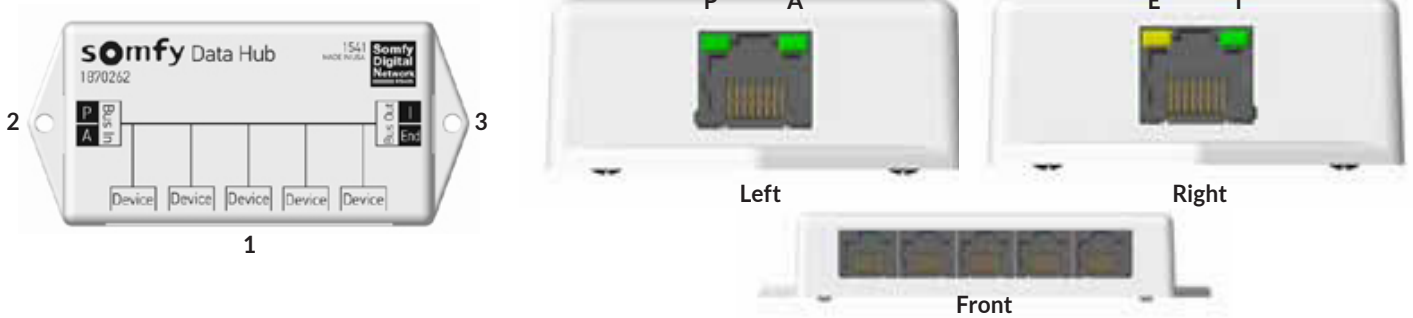
## WIRE DIAGRAM



## CABLE PINOUTS



## CONNECTORS AND INDICATORS



Element	Funtion
1 Device Port	5 device ports to the digital network system (each port has 200 ft. wire length limitation)
2 Digital Network Bus Input	Input for bus signals
3 Digital Network Output	Output for bus signals

LED Indicators				
Label	Element	Color	Funtion On	Function Off
P	Bus Power	Green	Power	No Power
A	A (activity)	Green	Data	No Data
I	I (idle)	Green	No Data	Data
E	Yellow	Green	End of Bus	Not End of Bus