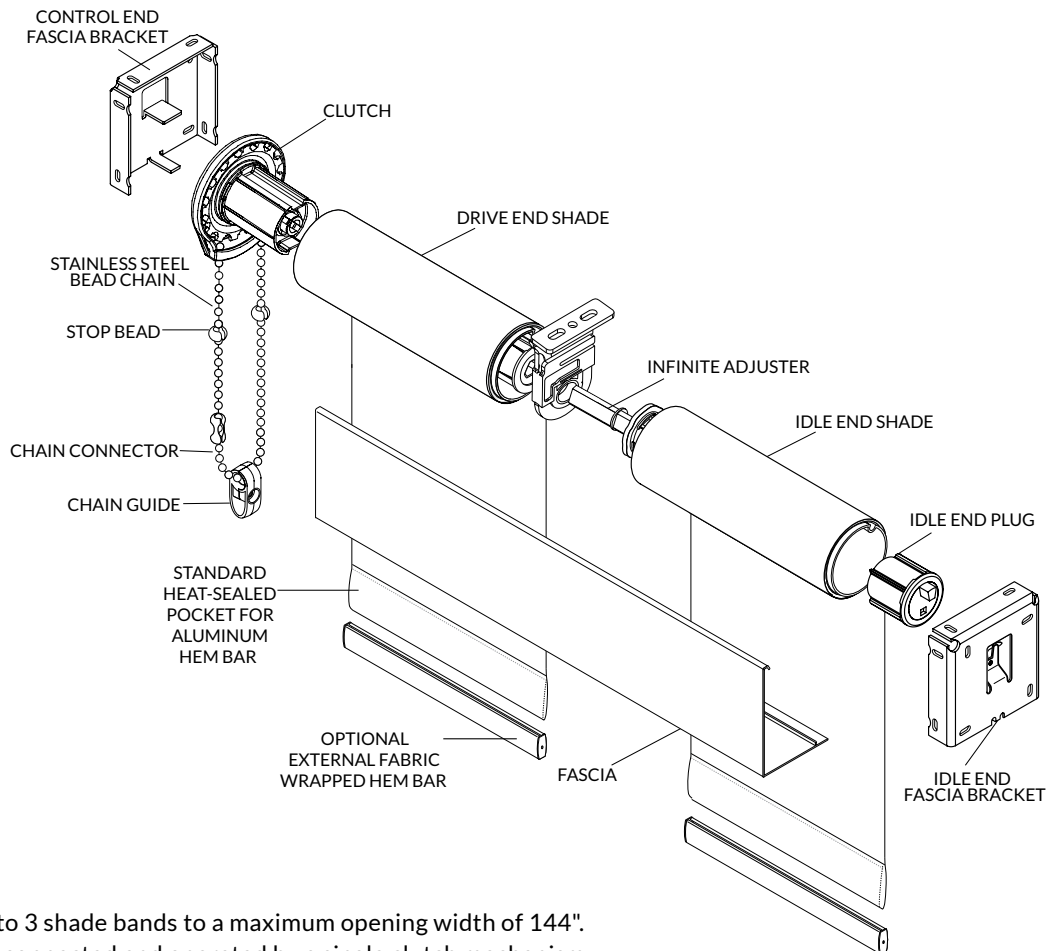


Coupled Manual Shade With Fascia



- Couple up to 3 shade bands to a maximum opening width of 144". Shades are connected and operated by a single clutch mechanism.
- Coupled system includes a patent-pending adjustment wheel that provides precise height adjustments.
- Available with R16 and R24 clutch systems with 1.5", 2", or 2.5" tubes.
- Roller tube is extruded T5 aluminum, engineered with a channel to accept fabric spline, making the shade panel easy to remove.
- Clutch mechanism is glass-reinforced polyester thermopolymer (PBT) for wear resistance, smooth operation, and corrosion resistance.
- Optional spring assist reduces pull force, allowing easy lifting of larger shades.
- Brackets are stamped steel and corrosion resistant. Available in powder coated white and black.
- Shades are raised and lowered by means of a #10 stainless steel bead chain.
- Plastic bead chains are also available—colors include white, vanilla, gray, brown, and black.
- Hem bar is extruded aluminum and completely enclosed in a heat-sealed hem pocket.
- Optional external fabric wrapped hem bar is available in a maximum width of 12 feet. Colors include white, clear satin anodized, and bronze.
- 4" fascia measures 4" high with a 2-3/4" bottom lip and snaps onto 4" x 4" fascia bracket. Back fascia is also available. Available in white, vanilla, clear satin anodized, bronze, or black.
- Limited Lifetime Warranty