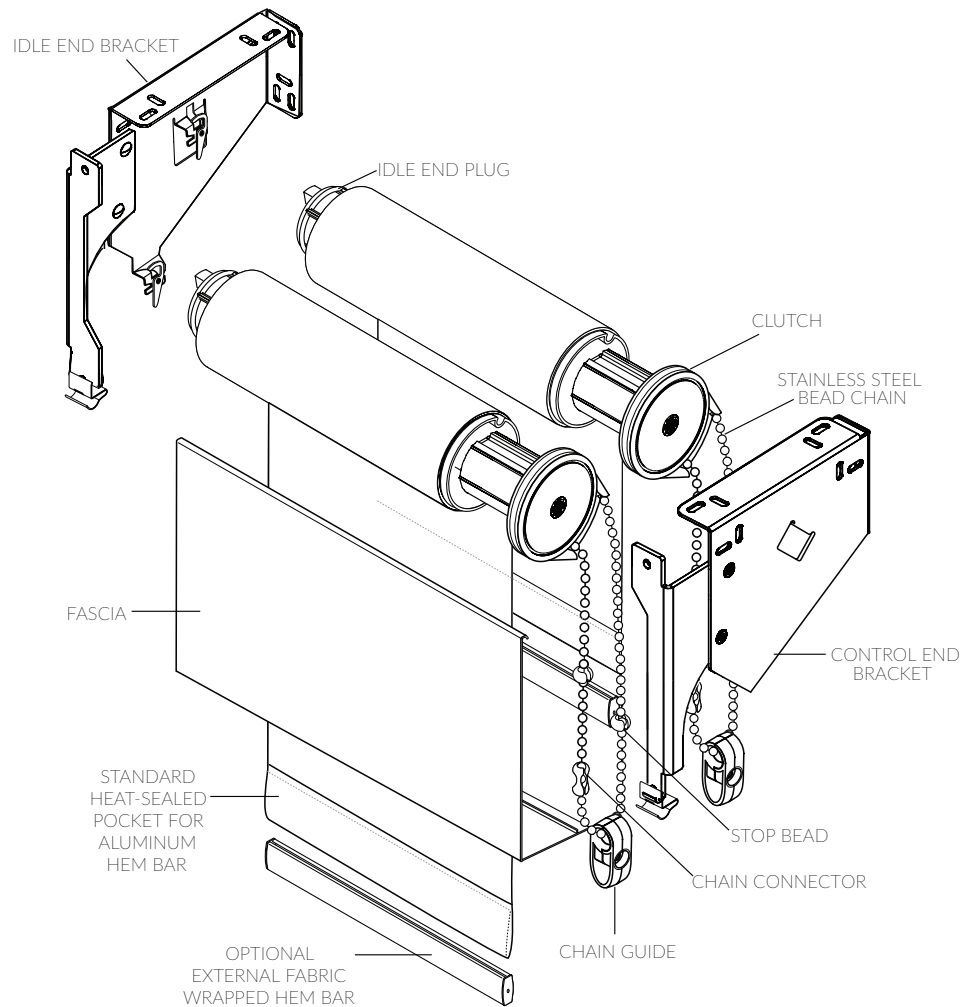


Dual Manual Shade With Fascia



- Allows for two shades to be installed onto one bracket system.
- Clutch mechanism is glass-reinforced polyester thermopolymer (PBT) for wear resistance, smooth operation, and corrosion resistance.
- Available with R16 and R24 clutch systems with 1.5", 2", or 2.5" tubes.
- Optional spring assist reduces pull force, allowing easy lifting of larger shades.
- Brackets are stamped steel and corrosion resistant. Available in powder coated white and black.
- Each shade is raised and lowered by its own #10 stainless steel bead chain and clutch system.
- Plastic bead chains are also available—colors include white, vanilla, gray, brown, and black.
- Hem bar is extruded aluminum and completely enclosed in a heat-sealed hem pocket.
- Optional external fabric wrapped hem bar is available in a maximum width of 12 feet. Colors include white, clear satin anodized, and bronze.
- Optional 7.5" x 8" sheet metal pocket. Available in white.
- Fascia measures 7.625" high with a 2.25" bottom lip and snaps onto fascia bracket with a positive spring fit. Available in white.
- Limited Lifetime Warranty