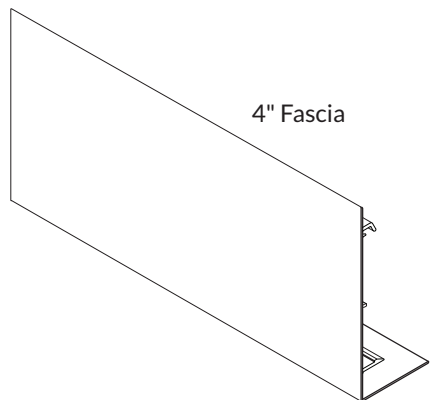
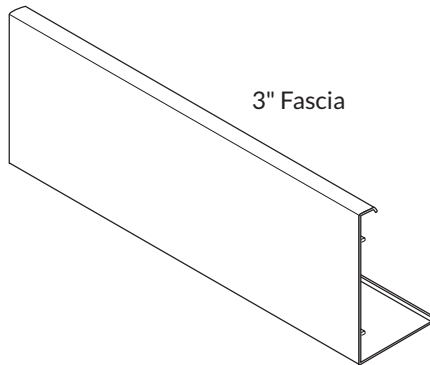
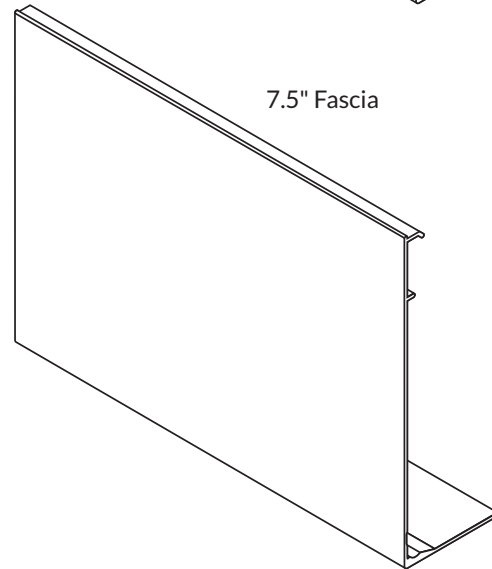
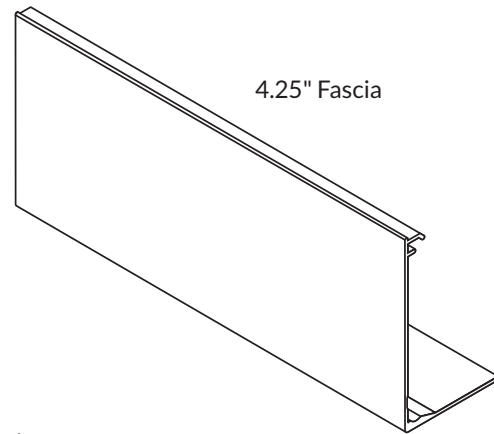


Fascia

FASCIA FOR MANUAL SHADES



FASCIA FOR MOTORIZED SHADES



- Fascia for manual shades
 - 3" fascia is notchless, measures 3.395" high with 1.5" bottom lip, and snaps onto a small fascia bracket.
 - 4" fascia is notchless, measures 3.75" high with 1.25" bottom lip, and snaps onto large fascia bracket.
 - Notches are required with SL30 clutch. Inside mount notches are 11/16" x 17/32". Outside mount notches are 3/4" x 17/32".
 - Back fascia is available. Notches are 13/16" x 15/16" for 3" manual shade and 11/8" x 29/16" for 4" manual shade.
- Fascia for motorized shades
 - 4.25" motorized shade fascia has a 21/4" bottom lip and snaps onto standard bracket.
 - 7.5" motorized shade fascia has a 21/4" bottom lip and snaps onto dual shade fascia bracket or extended bracket.
- Optional color-coordinated fascia end caps.
- Available in white, vanilla, clear satin anodized, bronze, or black.
- Paint meets AAMA 2603 spec.
- 6000 series T5 extruded aluminum.