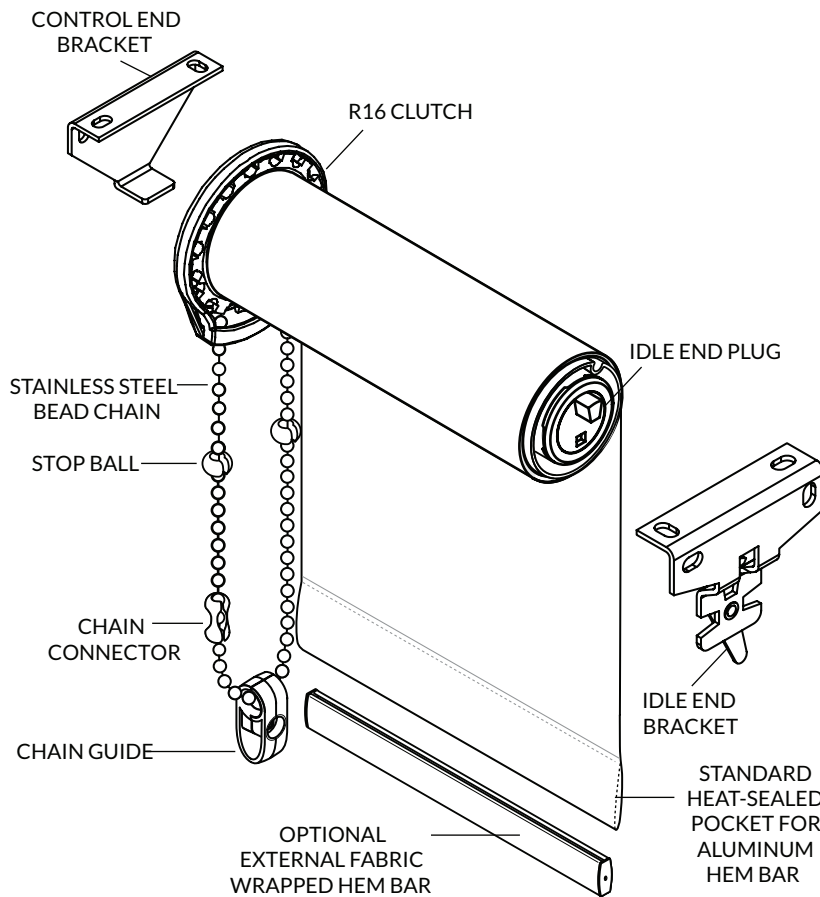
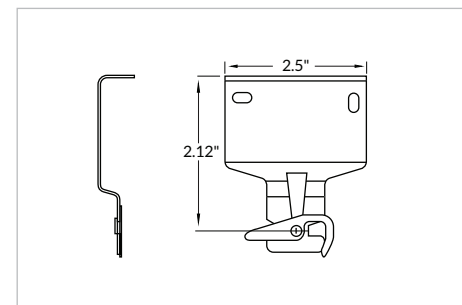
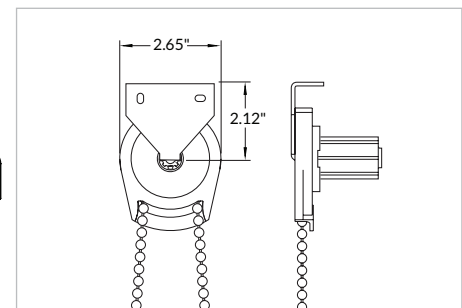
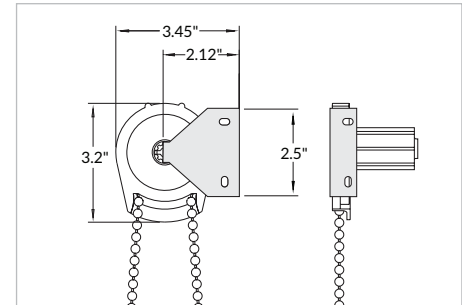


R16 Manual Shade



COMPONENT DIMENSIONS



- R16 clutch system is available with 1.5" or 2" tubes.
- Roller tube is extruded T5 aluminum, engineered with a channel to accept fabric spline, making the shade panel easy to remove.
- Clutch mechanism is glass-reinforced polyester thermopolymer (PBT) for wear resistance, smooth operation, and corrosion resistance.
- Optional spring assist reduces pull force, allowing easy lifting of larger shades.
- Brackets are stamped steel and corrosion resistant. Available in powder coated white and black.
- Shades are raised and lowered by means of a #10 stainless steel bead chain.
- Plastic bead chains are also available—colors include white, vanilla, gray, brown, and black.
- Hem bar is extruded aluminum and completely enclosed in a heat-sealed hem pocket.
- Optional external fabric wrapped hem bar is available in a maximum width of 12 feet. Colors include white, clear satin anodized, and bronze.
- Limited Lifetime Warranty