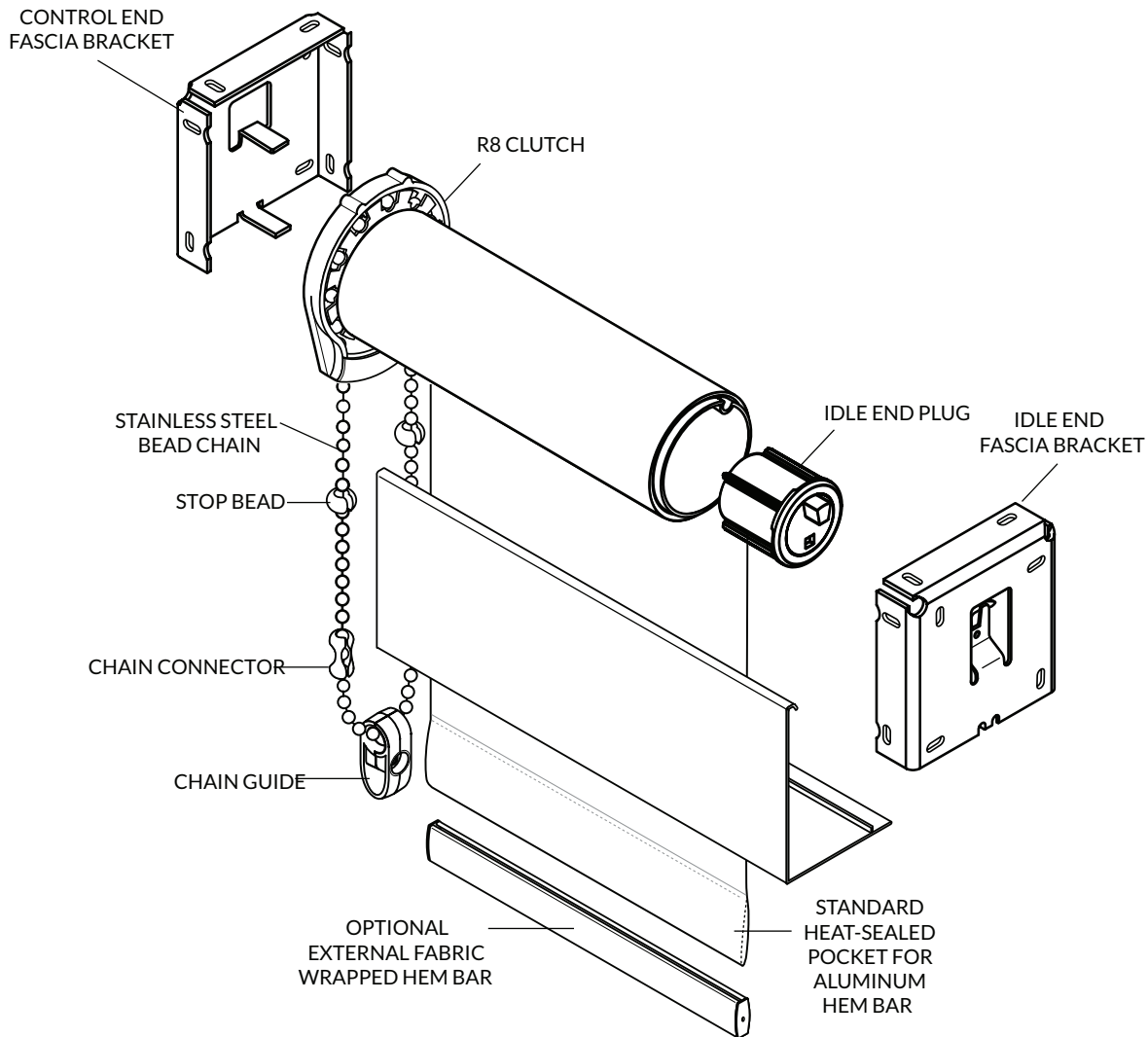


R8 Manual Shade With Fascia



- R8 clutch system is available with a 1.5" tube.
- Roller tube is extruded T5 aluminum, engineered with a channel to accept fabric spline, making the shade panel easy to remove.
- Clutch mechanism is glass-reinforced polyester thermopolymer (PBT) for wear resistance, smooth operation, and corrosion resistance.
- Brackets are stamped steel and corrosion resistant. Available in powder coated white, vanilla, gray, and black.
- Shades are raised and lowered by means of a #10 stainless steel bead chain.
- Plastic bead chains are also available—colors include white, vanilla, gray, brown, and black.
- Hem bar is extruded aluminum and completely enclosed in a heat-sealed hem pocket.
- Optional external fabric wrapped hem bar is available in a maximum width of 12 feet. Colors include white, clear satin anodized, and bronze.
- 3" fascia measures 3" high with a 21/4" bottom lip and snaps onto 3" x 3" fascia bracket. 4" fascia and back fascia are also available. Available in white, vanilla, clear satin anodized, bronze, or black.
- Limited Lifetime Warranty