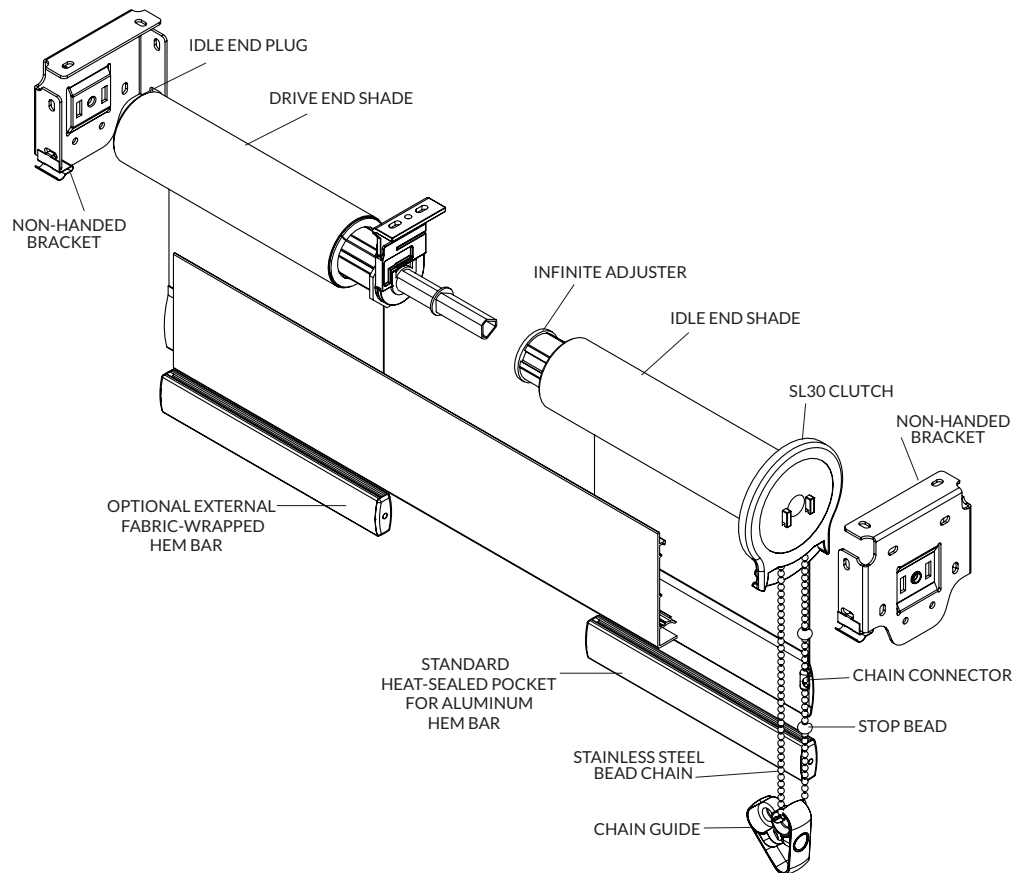


Coupled Manual Shade



- Couple up to three shade bands to a maximum opening width of 141". Shades are connected and operated by a single clutch mechanism.
- Coupled system includes a patent-pending adjustment wheel that provides precise height adjustments.
- Available with SL10, SL15, SL20, and SL30 clutch systems with 1.5" or 2" tubes.
- Roller tube is extruded T5 aluminum, engineered with a channel to accept fabric spline, making the shade panel easy to remove.
- Clutch mechanism is fiberglass-filled nylon construction for long-lasting durability and includes a Velvetrol™ internal spring arrangement for smoother operation.
- Optional spring assist reduces pull force, allowing for easy lifting of larger shades.
- Spring-loaded idle end.
- Non-handed brackets are stamped steel and corrosion resistant. Available in powder-coated white, vanilla, gray, and black.
- Maximum roll diameter is 3.765".
- Shades are raised and lowered by means of a #10 stainless steel bead chain.
- Plastic bead chains are also available. Colors include white, vanilla, gray, brown, and black.
- Hem bar is extruded aluminum and completely enclosed in a heat-sealed hem pocket.
- Optional external fabric-wrapped hem bar is available in a maximum width of 12". Colors include white, bronze, and clear satin anodized.
- Limited Lifetime Warranty.