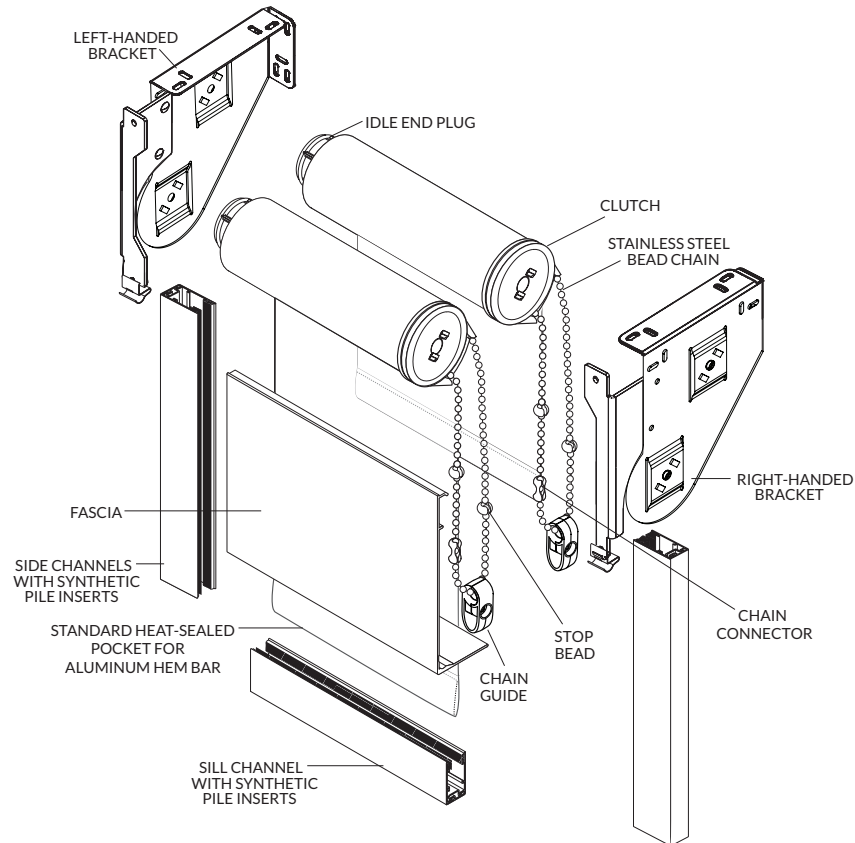


# Dual Manual Shade With Blackout



- Allows for two shades to be installed onto one bracket.
- Clutch mechanism is fiberglass-filled nylon construction for long-lasting durability and includes a Velvetrol™ internal spring arrangement for smoother operation.
- Available with SL10, SL15, and SL20 clutch systems with 1.5", 2", or 2.5" tubes.
- Optional spring assist reduces pull force, allowing for easy lifting of larger shades.
- Spring-loaded idle end.
- Brackets are stamped steel and corrosion resistant. Available in powder-coated white, vanilla, gray, and black.
- Front and back shade can have left or right controls.
- Maximum roll diameter is 3.675".
- Each shade is raised and lowered by its own #10 stainless steel bead chain and clutch system.
- Plastic bead chains are also available. Colors include white, vanilla, gray, brown, and black.
- Hem bar is extruded aluminum and completely enclosed in a heat-sealed hem pocket.
- Fascia measures 7.5" high with a 2.25" bottom lip and snaps onto fascia bracket with a positive spring fit. Colors include white, vanilla, bronze, clear satin anodized, and black.
- Blackout channels are two-piece extruded aluminum with snap-fit design and synthetic pile inserts to eliminate light gaps. Side channel is 1" x 2" and eliminates light gaps along edge of shades. Sill channel is 1" x 2" and eliminates light gaps along the bottom of shades.
- Limited Lifetime Warranty.