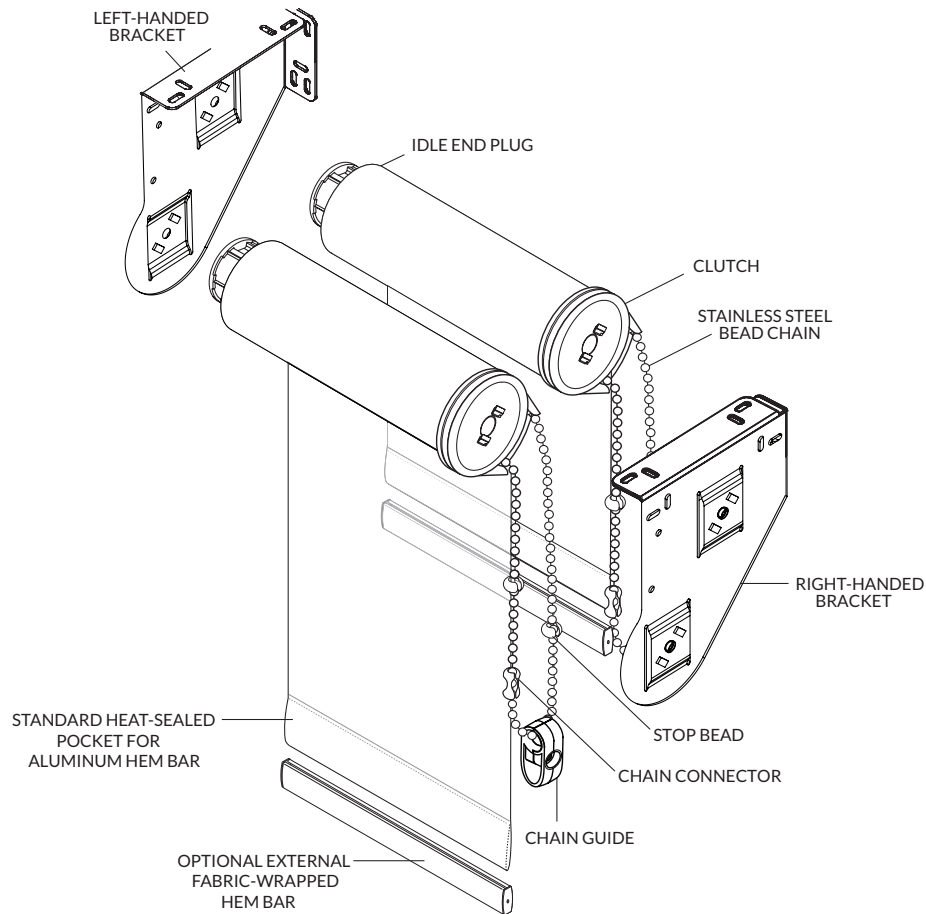


Dual Manual Shade



- Allows for two shades to be installed onto one bracket.
- Clutch mechanism is fiberglass-filled nylon construction for long-lasting durability and includes a Velvetrol™ internal spring arrangement for smoother operation.
- Available with SL10, SL15, SL20, and SL30 clutch systems with 1.5", 2", or 2.5" tubes.
- Optional spring assist reduces pull force, allowing for easy lifting of larger shades.
- Spring-loaded idle end.
- Brackets are stamped steel and corrosion resistant. Available in powder-coated white, vanilla, gray, and black.
- Maximum roll diameter is 3.675".
- Front and back shade can have left or right controls.
- Each shade is raised and lowered by its own #10 stainless steel bead chain and clutch system.
- Plastic bead chains are also available. Colors include white, vanilla, gray, brown, and black.
- Hem bar is extruded aluminum and completely enclosed in a heat-sealed hem pocket.
- Optional external fabric-wrapped hem bar is available in a maximum width of 12'. Colors include white, bronze, and clear satin anodized.
- Optional 7.5" x 8" sheet metal pocket. Available in white.
- Limited Lifetime Warranty.