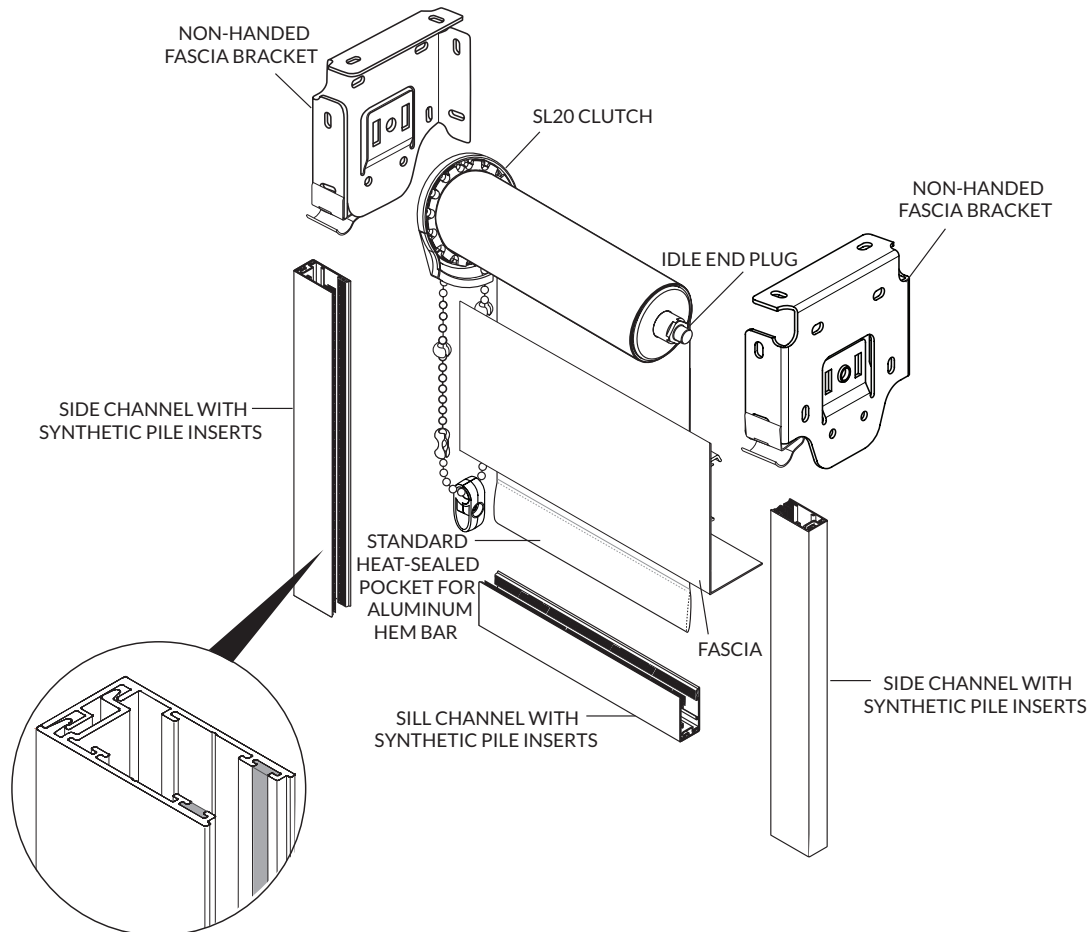


SL20 Manual Shade With Blackout



- SL20 clutch system is available with 1.5", 2", or 2.5" tubes.
- Roller tube is extruded T5 aluminum, engineered with a channel to accept fabric spline, making the shade panel easy to remove.
- Clutch mechanism is fiberglass-filled nylon construction for long-lasting durability and includes a Velvetrol™ internal spring arrangement for smoother operation.
- Spring-loaded idle end.
- Non-handed brackets are stamped steel and corrosion resistant. Available in powder-coated white, vanilla, gray, and black.
- Maximum roll diameter is 3.42" on 4" fascia, and 3.20" on reverse fascia.
- Shades are raised and lowered by means of a #10 stainless steel bead chain.
- Plastic bead chains are also available. Colors include white, vanilla, gray, brown, and black.
- Hem bar is extruded aluminum and completely enclosed in a heat-sealed hem pocket.
- 4" fascia measures 3.75" high with a 1.25" bottom lip and snaps onto fascia bracket. Available in white, vanilla, bronze, clear satin anodized, and black.
- Blackout channels are two-piece extruded aluminum with snap-fit design and synthetic pile inserts to eliminate light gaps. Side channel is 1" x 2" and eliminates light gaps along edge of shades. Sill channel is 1" x 2" and eliminates light gaps along the bottom of shades.
- Limited Lifetime Warranty.