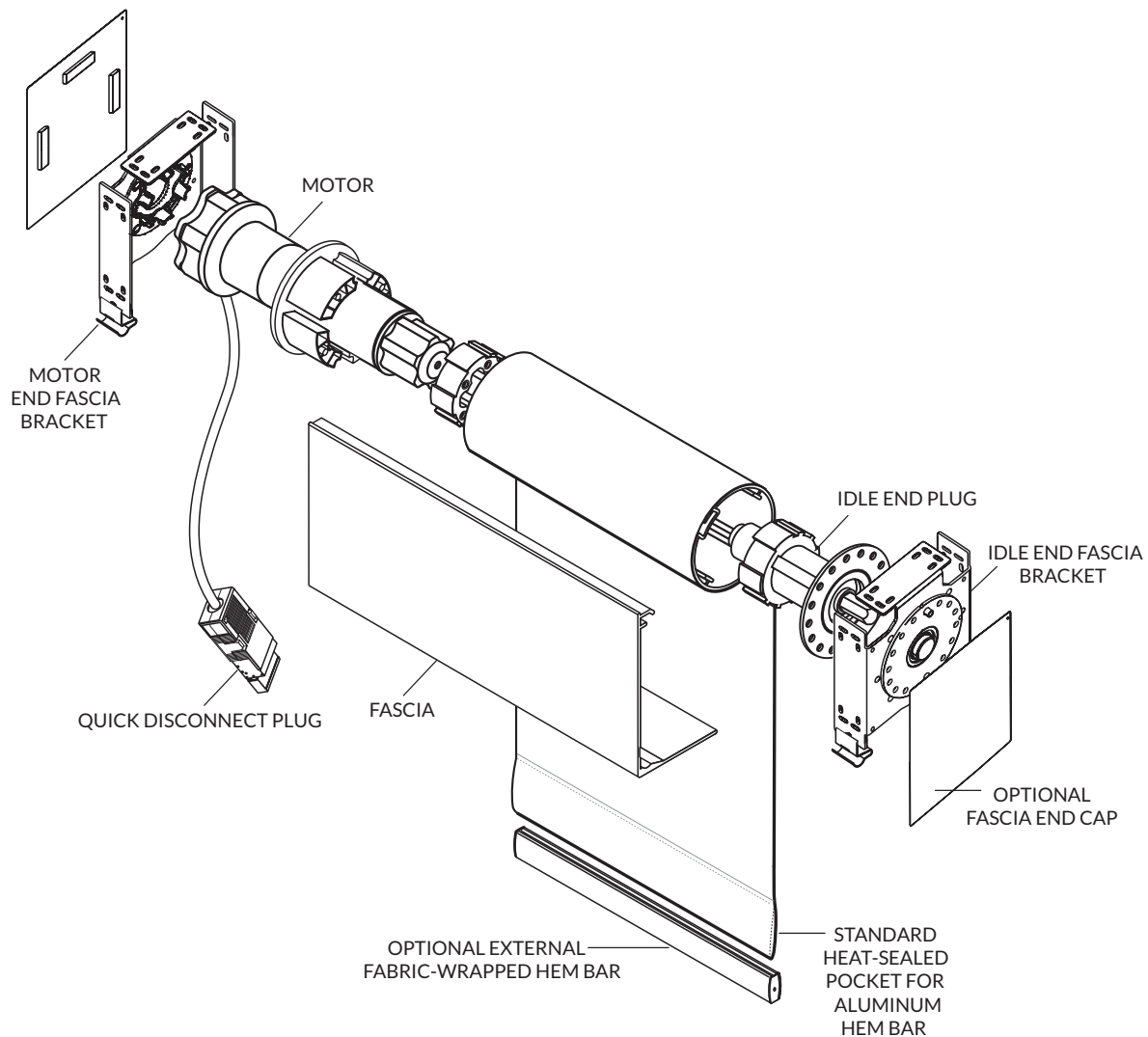


# Standard Motorized Shade With Fascia



- Roller tube is 2.45" or 3.15" T5 extruded aluminum, engineered with a channel to accept fabric spline, making the shade panel easy to remove.
- Adjustable idle end bracket allows shades to be leveled while in place.
- Brackets are stamped steel and corrosion resistant. Available in powder-coated white and black.
- Shades are raised and lowered by means of a line voltage AC motor.
- All motors come standard with a quick disconnect plug.
- Maximum roll diameter is 3.675".
- Hem bar is extruded aluminum and completely enclosed in a heat-sealed hem pocket.
- Optional external fabric-wrapped hem bar is available in a maximum width of 12'. Colors include white, bronze, and clear satin anodized.
- Optional 4.25" x 2.25" fascia available on line voltage AC motorized systems. Available in white, vanilla, bronze, clear satin anodized, and black.
- Limited lifetime warranty.